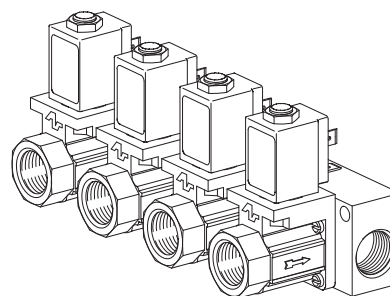
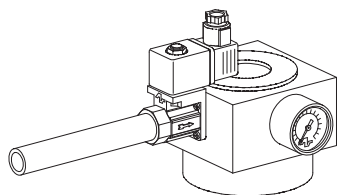


GAMMA Valves Series 300


Especially small-construction valve series DN 13 (G 1/2), 32 mm wide, for the most varied of applications in mechanical and apparatus construction. The narrow constructional design enables extremely high pack density.

Dirt particles in the medium can lead to malfunction in the valves. The installation of a strainer is thus to be recommended, e.g. Type SMF-133...



Valve batteries up to 10-fold with various override and functional applications as standard. The structural combination especially of various Types of valve, sensors and such like in multi-functional blocks creates significant advantages:

- saving of assembly time (pipework expenditure reduced by up to 85 %)
- saving of fittings
- enormous saving of construction space

Intermediute flange and flange-mount valves are directly flange-mounted on pressure-bearing mechanical and apparatus components.

CHARACTERISTICS
GENERAL

Constructional design	low noise membrane valve with coaxial flow				
Product name	2/2-way solenoid valve servo controlled	2/2-way solenoid valve with pressure regulator servo controlled	2/2-way valve pressure operated by external or own medium	Hand-adjustable pressure regulator valve servo controlled	Valve batteries (all variants)
Product type	EGV	EGR	PGV	RGV	all previously named
Nominal diameter	DN 13				
Port size	Thread (ISO 228) G 1/2				
Ambient temperature	-20 °C to +60 °C (others on request)				
Medium temperature	for NBR: -10 °C to +90 °C for FKM and EPDM: -10 °C to +130 °C (for exceptions see table)				
Medium viscosity	up to ca. 20 mm ² /s				
Valve body material	Ms				
Membrane support unit material	reinforced synthetic material (others on request)				
Other internal component material	Stainless steel and non-ferrous metal				
Seal material	NBR (nitrile rubber), EPDM (ethylene propylene) or FKM (fluoride rubber) (others on request)				
Mounting method	Installation in rigid pipe system				
Mounting position	optional, preferably upright				

PNEUMATIC - HYDRAULIC

Nominal pressure (bar)	according to Type table. The numerical value of the nominal pressure PN signifies the Permitted Operating Pressure OP in bar at 60°C ambient temperature and 60°C medium temperature. Insofar as two values are given, the first value refers to solenoid coil with highest electrical power consumption, the second value to that with lowest power consumption.	
Pressure range	0.3 bar up to permitted operating pressure OP according to table. 0 to 16 bar version is also possible for Type EGV function "Z" and Type PGV	
Flow rate	Kv-value according to Type table (full flow with pressure difference of 0.5 bar or higher)	
Medium	gaseous or fluids	
	Sealing material NBR:	e.g. compressed air, water, hydraulic fluids, neutral gases
	Sealing material EPDM:	e.g. hot water
	Sealing material FKM:	e.g. solvents, hot water, hot air above 90°C
Response time	Opening time: 20 ms to 1 s; closing time: 25 ms to 3 s, according to flow medium	
Electric	see solenoid coils	

2/2-Way Solenoid Valve - Type EGV Series 300

 Price group **53**

Function "A" normally closed

Low noise and impact-free closing, for neutral, gaseous or fluids

Brass

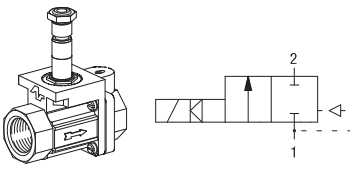
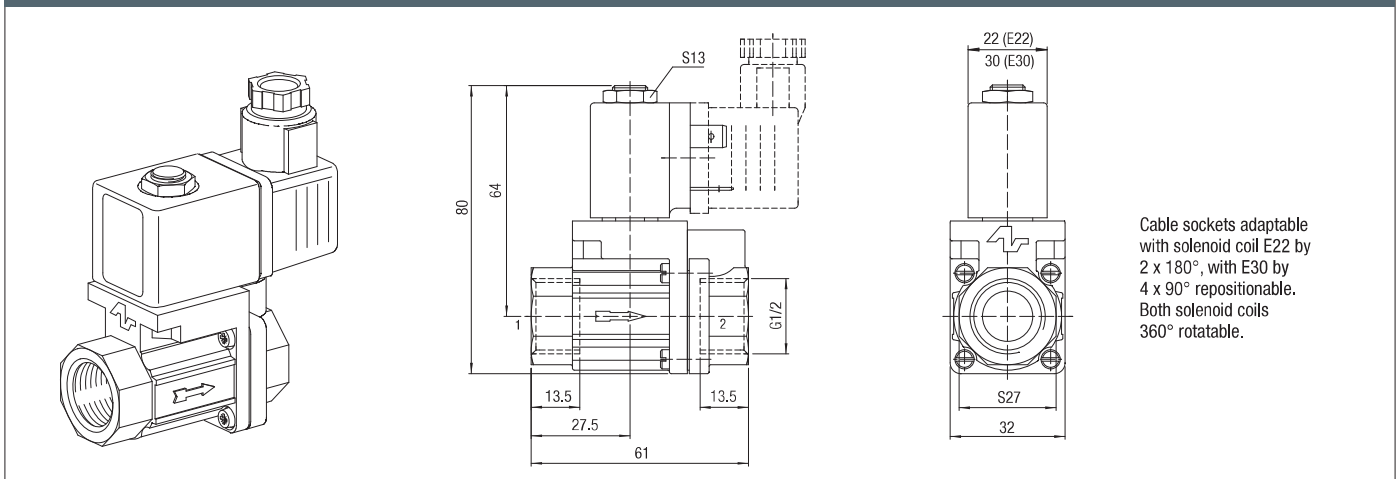
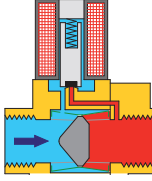
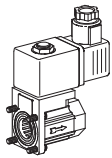

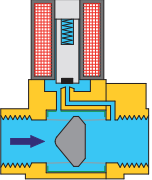
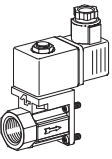
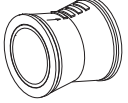
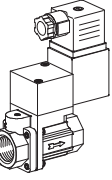

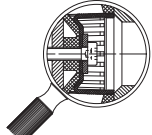
Version	DN	Kv-value water [m³/h]	G	PN	Possible type of power	Sealing material	Type	Order number	Price
	13	3.2	G 1/2	16/8	AC/DC	NBR	EGV-311-A78-1/2BN-00	613401	o. r.
	13	3.2	G 1/2	16/8	AC/DC	EPDM	EGV-311-A78-1/2PN-00	613403	o. r.
	13	3.2	G 1/2	16/8	AC/DC	FKM	EGV-311-A78-1/2FN-00	613405	o. r.

Illustration


Function	Variations	Options
 <p>In 0-position - magnetic system not under power - its seat is closed. Pressure thus builds up in the control chamber, which due to the larger effective membrane surface holds the membrane in "closed" position.</p>	 <p>2/2-way flange mount Solenoid valve Flange-side pressure inlet Type EGV-311-AH9-...</p>	 <p>Stepwise manual override Type EGV-312-... This limits: permitted excess operating pressure: 12.5 bar permitted Medium temperature: max. 60°C</p>
 <p>In overrideal position - magnetic system under power - its seat is open, the control chamber released and the membrane is held by the flow medium in "open" position. A minimum pressure difference is required for this.</p>	 <p>2/2-way flange mount Solenoid valve Thread-side pressure inlet Type EGV-311-A7L-...</p>	 <p>Membrane made of other material: CR (chloroprene) optimal for compressed air HNBR (NBR with higher nitrile content) specially for certain synthetic oils</p>
	 <p>2/2-way solenoid valve Rapid function version with 3/2-way servo-override especially for compressed air Type EGV-361-A87-... BP-00</p>	 <p>increases resistance to corrosion, and replaces stainless steel valves cost-effectively for many flow medium Type EGV-311Q-...</p>
		 <p>Non-return valve integrated outlet-side in the gate unit Type EGV-311-A78-../R-.. This only blocks up to a pressure difference of 10 bar</p>

Permitted Operating Pressure OP

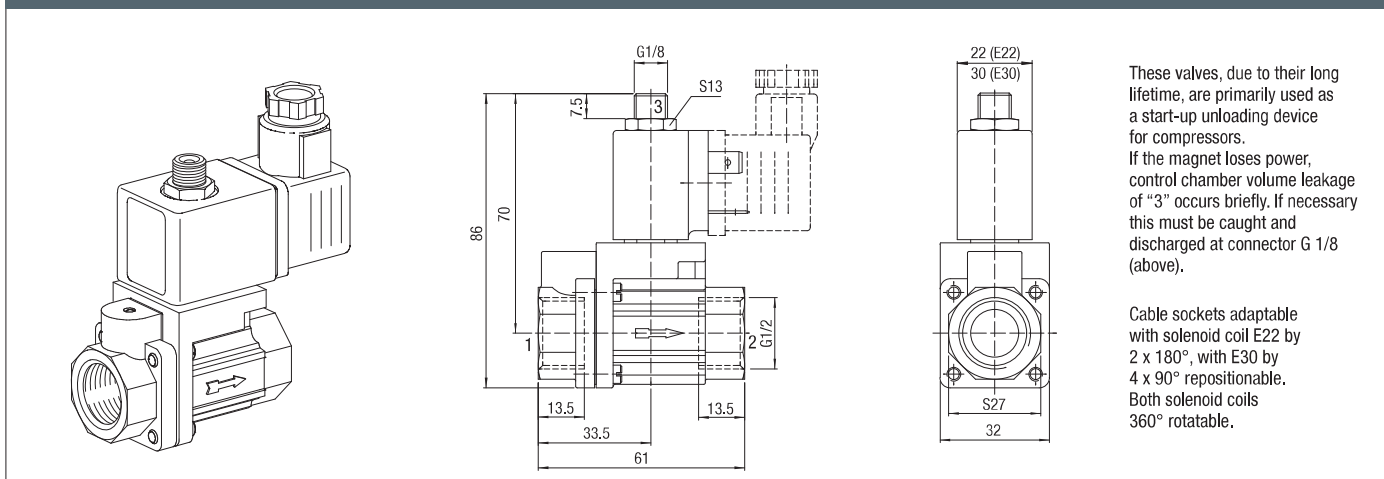
DN	Type	PN	Combinable solenoid coil		Permitted Operating Pressure OP [bar] at ambient temperature +60 °C																			
			Type	Nominal power P ₂₀			AC 50 Hz 90 %U _N Medium temperature			AC 60 Hz 90 %U _N Medium temperature			DC 90 %U _N Medium temperature			DC 90 %U _N Medium temperature			DC 100 %U _N Medium temperature					
				AC 50 Hz [VA]	AC 60 Hz [VA]	DC [W]	60 °C	90 °C	130 °C	60 °C	90 °C	130 °C	60 °C	90 °C	130 °C	60 °C	90 °C	130 °C	60 °C	90 °C	130 °C			
				on req.	on req.	on req.	on req.	on req.	on req.	on req.	on req.	on req.	on req.	on req.	on req.	on req.	on req.	on req.	on req.	on req.	on req.			
13	EGV-311-A..	16/8	E22...L.	3,5	on req.	2,5	8	on req.	on req.	7	on req.	on req.	6	5	4	4	3	2	6	5	4			
			E22...M.	5,5	5	5	16	16	16	16	16	16	16	16	16	14	12	10	8	15	13	12		
			E22...H.	-	-	8	-	-	-	-	-	-	-	-	16	16	16	16	16	16	16	16	16	16
			E30...P.	12	10,5	8	16	16	16	16	16	16	16	16	16	16	16	16	16	16	16	16	16	16

2/2-Way Solenoid Valve - Type EGV Series 300

Price group	53	Function "B" normally open	Low noise and impact-free closing, for neutral, gaseous or fluids
-------------	-----------	----------------------------	---

Brass

Version	DN	Kv-value water [m³/h]	G	PN	Possible type of power	Sealing material	Type	Order number	Price
	13	3.2	G 1/2	16	AC / DC	NBR	EGV-311-B87-1/2BP-00	613411	o. r.
	13	3.2	G 1/2	16	AC / DC	EPDM	EGV-311-B87-1/2PP-00	613413	o. r.
	13	3.2	G 1/2	16	AC / DC	FKM	EGV-311-B87-1/2FP-00	613415	o. r.

Illustration


Function	Variations	Options
<p>In 0-position - magnetic system not under power - its seat is closed and its override seat open. Thereby the control chamber is released by "3" and the membrane held in "open" position by the flow medium. A minimum pressure difference is required for this.</p>	<p>2/2-way flange mount Solenoid valve Flange-side pressure inlet Type EGV-311-BL7-.....</p>	<p>Stepwise manual override Type EGV-312-... This limits: permitted excess operating pressure: 12.5 bar permitted Medium temperature: max. 60°C</p>
<p>In override position - magnetic system under power - its seat is open and its override seat closed. Pressure thus builds up in the control chamber, which due to the larger effective membrane surface holds the membrane in closed position.</p>	<p>2/2-way flange mount Solenoid valve Thread-side pressure inlet Type EGV-311-B9H-.....</p>	<p>Membrane made of other material: CR (chloroprene) optimal for compressed air HNBR (NBR with higher nitrile content) specially for certain synthetic oils</p>
		<p>Brass components chemically nickel-plated</p> <p>increases resistance to corrosion, and replaces stainless steel valves cost-effectively for many flow medium Type EGV-311Q-...</p>
		<p>Non-return valve integrated outlet-side in the gate unit Type EGV-311-B87-...-T-... This only blocks up to a pressure difference of 10 bar</p>

Permitted Operating Pressure OP

DN	Type	PN	Combinable solenoid coil																								
			Type	Nominal power P ₂₀						Permitted Operating Pressure OP [bar] at ambient temperature + 60°C																	
				AC 50 Hz [VA]		AC 60 Hz [VA]		DC [W]	AC 50 Hz 90 %U _N Medium temperature			AC 60 Hz 90 %U _N Medium temperature			DC 90 %U _N Medium temperature			DC 90 %U _N Medium temperature			DC 100 %U _N Medium temperature						
				on req.	on req.	on req.	on req.	on req.	on req.	on req.	on req.	on req.	on req.	on req.	on req.	on req.	on req.	on req.	on req.	on req.	on req.	on req.	on req.				
13	EGV-311-B..	16	E22...L	3.5	on req.	2.5	on req.	on req.	on req.	16	16	16	16	16	16	16	16	16	16	16	16	16	16	16	16	16	16
			E22...M	5.5	5	5	-	-	-	-	-	-	-	-	-	16	16	16	16	16	16	16	16	16	16	16	16
			E22...H	-	-	8	-	-	-	-	-	-	-	-	-	16	16	16	16	16	16	16	16	16	16	16	16
			E30...P	12	10.5	8	16	16	16	16	16	16	16	16	16	16	16	16	16	16	16	16	16	16	16	16	16

2/2-Way Solenoid Valve - Type EGV Series 300

Price group	53	"C" in 0 position "1" closed, "2" after "3" discharged	low noise and impact-free closing, for neutral, gaseous or fluids	Brass
-------------	-----------	--	---	--------------

Version	DN	Kv-value water [m ³ /h]	G	PN	Possible type of power	Sealing material	Type	Order number	Price
<p>Valve port 3:1.8DV without solenoid coil Permitted operating pressure 0,3 bar up to valve according to table below.</p>	13	3.2	G 1/2	12,5	AC/DC	NBR	EGV-321-C69-1/2BN-00	613421	o. r.
	13	3.2	G 1/2	12,5	AC/DC	EPDM	EGV-321-C69-1/2PN-00	613423	o. r.
	13	3.2	G 1/2	12,5	AC/DC	FKM	EGV-321-C69-1/2FN-00	613425	o. r.

Illustration

Cable sockets adaptable with solenoid coil E22 by 2 x 180°, with E30 by 4 x 90° repositionable. Both solenoid coils 360° rotatable.

Function	Variations	Options
<p>In 0-position - magnetic system not under power - its seat is closed. Pressure thus builds up in the control chamber, which due to the larger effective membrane surface holds the membrane in "closed" position. Simultaneously the secondary side is ventilated via "3".</p>	<p>2/2-way flange mount Solenoid valve Flange-side pressure inlet Type EGV-321-CH9-...</p>	<p>Stepwise manual override Type EGV-322-... This limits: permitted excess operating pressure: 12.5 bar permitted Medium temperature: max. 60°C</p>
<p>In override position - magnetic system under power - its seat is open, the control chamber released and the membrane is held by the flow medium in "open" position. A minimum pressure difference is required for this.</p>		<p>Membrane made of other material: CR (chloroprene) optimal for compressed air HNBR (NBR with higher nitrile content) specially for certain synthetic oils</p>
		<p>Brass components chemically nickel-plated</p> <p>increases resistance to corrosion, and replaces stainless steel valves cost-effectively for many flow medium Type EGV-321Q-...</p>

Permitted Operating Pressure OP

DN	Type	PN	Combinable solenoid coil		Permitted Operating Pressure OP [bar] at ambient temperature +60 °C																		
			Type	Nominal power P ₂₀			AC 50 Hz 90 %U _N Medium temperature			AC 60 Hz 90 %U _N Medium temperature			DC 90 %U _N Medium temperature			DC 90 %U _N Medium temperature			DC 100 %U _N Medium temperature				
				AC 50 Hz [VA]	AC 60 Hz [VA]	DC [W]	60 °C	90 °C	130 °C	60 °C	90 °C	130 °C	60 °C	90 °C	130 °C	60 °C	90 °C	130 °C	60 °C	90 °C	130 °C		
				on req.	on req.	on req.	on req.	on req.	on req.	on req.	on req.	on req.	on req.	on req.	on req.	on req.	on req.	on req.	on req.	on req.	on req.		
13	EGV-321-C..	12,5	E22...L.	3.5	on req.	2.5	on req.	on req.	on req.	on req.	on req.	on req.	on req.	on req.	on req.	on req.	on req.	on req.	on req.	on req.	on req.	on req.	on req.
			E22...M.	5.5	5	5	12,5	12,5	12,5	12,5	12,5	12,5	12,5	12,5	12,5	12,5	12,5	12,5	12,5	12,5	12,5	12,5	12,5
			E22...H.	-	-	8	-	-	-	-	-	-	-	12,5	12,5	12,5	12,5	12,5	12,5	12,5	12,5	12,5	12,5
			E30...P.	12	10,5	8	12,5	12,5	12,5	12,5	12,5	12,5	12,5	12,5	12,5	12,5	12,5	12,5	12,5	12,5	12,5	12,5	12,5

2/2-Way Solenoid Valve - Type EGV Series 300

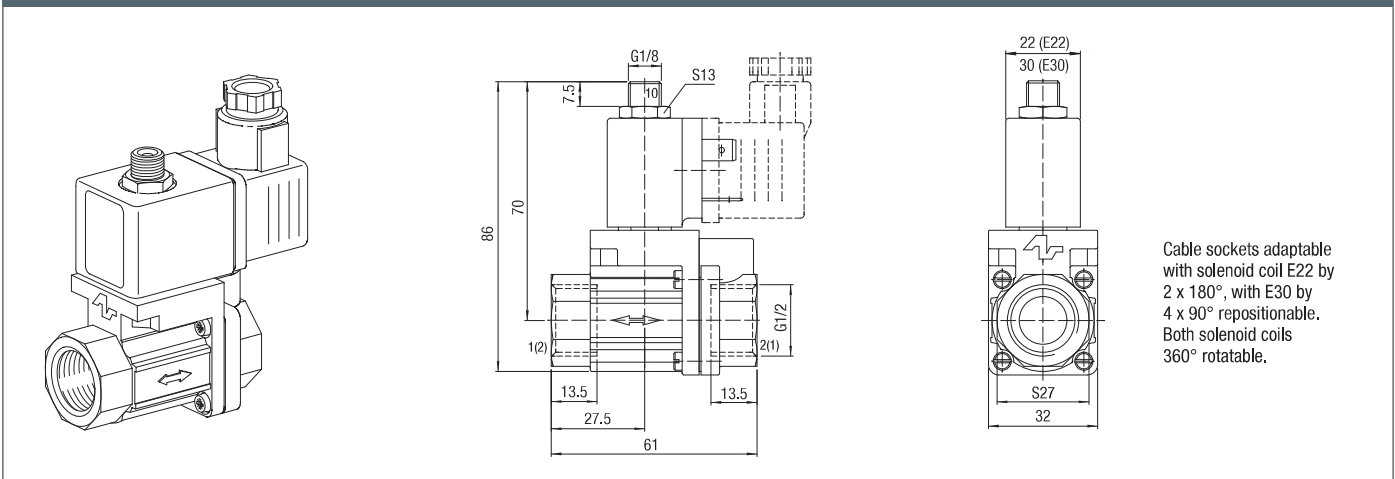
 Price group **53**

Function "Z" normally closed with existing auxiliary pressure at port "10"

Low noise and impact-free closing, for neutral, gaseous or fluids

Brass

Version	DN	Kv-value water [m³/h]	G	PN	Possible type of power	Sealing material	Type	Order number	Price
<p>Valve without solenoid coil Permitted operating pressure 0.3 bar up to valve according to table below, double-sided blocking. Permitted control pressure at "10" ≥ Operating pressure, max. 16 bar</p>	13	3.2	G 1/2	16	AC/DC	NBR	EGV-311-Z76-1/2BP-00	613431	o. r.
	13	3.2	G 1/2	16	AC/DC	EPDM	EGV-311-Z76-1/2PP-00	613433	o. r.
	13	3.2	G 1/2	16	AC/DC	FKM	EGV-311-Z76-1/2FP-00	613435	o. r.

Illustration


Function	Variations	Options
<p>In 0-position - magnetic system not under power - its seat is closed. The auxiliary pressure accumulated at "10" thus builds up in the control chamber and holds the membrane in "closed" position.</p>	<p>2/2-way flange mount Solenoid valve Flange-side pressure inlet Type EGV-311-ZL7-...</p>	<p>Stepwise manual override Type EGV-312-... This limits: permitted excess operating pressure: 12.5 bar permitted Medium temperature: max. 60°C</p>
<p>In override position - magnetic system under power - its override seat is closed. The control chamber is released by the open seat and the membrane held in "open" position by the flow medium. A minimum pressure difference is required for this.</p>		<p>Membrane made of other material: CR (chloroprene) optimal for compressed air HNBR (NBR with higher nitrile content) specially for certain synthetic oils</p>
		<p>increases resistance to corrosion, and replaces stainless steel valves cost-effectively for many flow medium Type EGV-311Q-...</p>
		<p>0-pressure membrane requires no differential pressure to open, however to close requires control pressure 1 bar above operating pressure Type EGV-311-Z76-/.0-...</p>

Permitted Operating Pressure OP

DN	Type	PN	Combinable solenoid coil			Permitted Operating Pressure OP [bar] at ambient temperature +60 °C																																		
			Type	Nominal power P ₂₀			AC 50 Hz 90 %U _N			AC 60 Hz 90 %U _N			DC 90 %U _N			DC 90 %U _N			DC 100 %U _N																					
				AC 50 Hz [VA]	AC 60 Hz [VA]	DC [W]	Medium temperature			Medium temperature			Medium temperature			Medium temperature			Medium temperature																					
				60 °C	90 °C	130 °C	60 °C	90 °C	130 °C	60 °C	90 °C	130 °C	60 °C	90 °C	130 °C	60 °C	90 °C	130 °C	60 °C	90 °C	130 °C																			
13	EGV-311-Z..	16	E22...L.	3.5	on req.	2.5	on req.	on req.	on req.	16	16	16	16	16	16	16	16	16	16	16	16	16	16	16	16	16	16	16	16	16	16	16	16	16	16	16	16	16	16	
			E22...M.	5.5	5	5	-	-	-	-	-	-	-	-	-	-	-	-	-	-	-	-	-	-	-	-	-	-	-	-	-	-	-	-	-	-	-	-	-	
			E22...H.	-	-	8	-	-	-	-	-	-	-	-	-	-	-	-	-	-	-	-	-	-	-	-	-	-	-	-	-	-	-	-	-	-	-	-	-	
			E30...P.	12	10.5	8	16	16	16	16	16	16	16	16	16	16	16	16	16	16	16	16	16	16	16	16	16	16	16	16	16	16	16	16	16	16	16	16	16	16

2/2-Way Solenoid Valve with Pressure Regulator - Type EGR Series 300

 Price group **53**

Function "C" normally closed, with secondary side discharged

low noise and impact-free closing, for neutral, gaseous medium (fluid optional)

 Amb. temp. $T_{min} -20\text{ °C}$, $T_{max} +60\text{ °C}$
 Med.-Temp. $T_{min} 0\text{ °C}$, $T_{max} +60\text{ °C}$
Brass

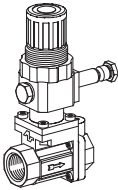
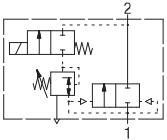
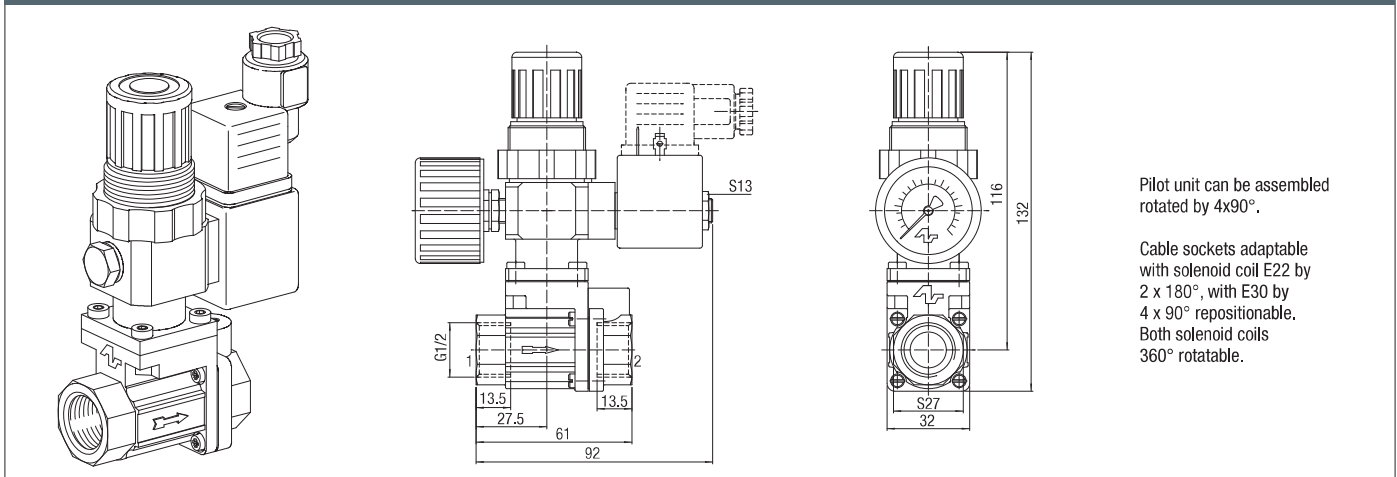
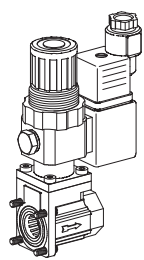
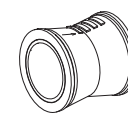
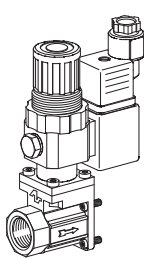

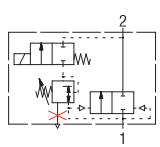
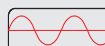




Version		Secondary pressure [bar]	DN	Flow air [l/min]	G	PN	Possible type of power	Sealing material	Type	Order number	Price
 	Valve without solenoid coil without pressure gauge	0.5 - 10	13	150 to 1,500	G 1/2	16/8	AC/DC	NBR	EGR-351-1C78-1/2BN-00	654001	o. r.
	Permitted operating pressure 0.5 bar up to valve according to table below.	0.5 - 3	13	150 to 1,500	G 1/2	16/8	AC/DC	NBR	EGR-351-3C78-1/2BN-00	654002	o. r.
		0.5 - 6	13	150 to 1,500	G 1/2	16/8	AC/DC	NBR	EGR-351-6C78-1/2BN-00	654003	o. r.

Illustration


Function	Variations	Options
<p>With respect to electrical function the valve corresponds to a 2/2-way solenoid valve function "A".</p> <p>In override position - magnetic system under power - the membrane is only held in "open" position by the flow medium until the outlet-side pressure reaches the value set on the pressure regulator. This can be set using the lockable adjustment button. The pressure should preferably be measured as near to the load as possible. In case of need a pressure gauge can also be attached to the pilot pressure regulator.</p> <p>For dynamic loads or neutral fluids, a version without secondary-side ventilation can be supplied.</p>	 <p>2/2-way flange mount Solenoid valve with Pressure regulator Flange-side pressure inlet Type EGR-351-.CH9-.</p>	 <p>Membrane made of other material: CR (chloroprene) optimal for compressed air HNBR (NBR with higher nitrile content) specially for certain synthetic oils</p>
	 <p>2/2-way flange mount Solenoid valve with Pressure regulator Thread-side pressure inlet Type EGR-351-.C7L-....</p>	 <p>increases resistance to corrosion and replaces stainless steel valves cost-effectively for many flow medium Type EGV-321Q-...</p>
	 <p>without secondary side ventilation of the pilot pressure regulator, especially for fluids Type EGR-351-.A78-...</p>	

Permitted Operating Pressure OP

DN	Type	PN	Combinable solenoid coil		Permitted Operating Pressure OP [bar] at ambient temperature +60 °C												
			Type	Nominal power P_{20}			AC 50 Hz 		AC 60 Hz 		DC 90 % U_N 		DC 90 % U_N 		DC 100 % U_N 		
				AC 50 Hz [VA]	AC 60 Hz [VA]	DC [W]	90 % U_N Medium temperature		90 % U_N Medium temperature		90 % U_N Medium temperature		90 % U_N Medium temperature		100 % U_N Medium temperature		
				60 °C	90 °C	130 °C	60 °C	90 °C	60 °C	90 °C	60 °C	90 °C	60 °C	90 °C	60 °C	90 °C	
13	EGV-351-C..	16/8	E22...L.	3.5	on req.	2.5	8	on req.	-	7	on req.	6	5	4	3	6	5
			E22...M.	5.5	5	5	16	16	16	16	16	16	16	12	10	15	13
			E22...H.	-	-	8	-	-	-	-	-	16	16	16	16	16	16
			E30...P.	12	10.5	8	16	16	16	16	16	16	16	16	16	16	16

2/2-Way Valve - Type PGV Series 300 - Pressure Operated (Volume Booster) by External Medium

Price group 53	Function "B" normally open (without control pressure)	low noise and impact-free closing, for neutral, gaseous and fluids	Brass							
Version		Control pressure [bar]	DN	Kv-value water [m³/h]	G	PN	Sealing material	Type	Order number	Price
	2/2-way valve pressure operated, double-sided blocking by external medium Permitted operating pressure 0.3 to 16 bar	\geq excess operating pressure max. 16 bar	13	3.2	G 1/2	16	NBR	PGV-331-B76-1/2BP	614101	o. r.
			13	3.2	G 1/2	16	EPDM	PGV-331-B76-1/2PP	614103	o. r.
			13	3.2	G 1/2	16	FKM	PGV-331-B76-1/2FP	614105	o. r.

Illustration

Remotely operated 2/2-way valve regulated by external medium with 3/2-way valve (positive control)

Remotely operated 2/2-way valve regulated by external medium with 2/2-way valve

Remotely operated excess pressure valve regulated by external medium with pressure regulator

2/2-Way Valve - Type PGV Series 300 - Pressure Operated (Volume Booster) by own Medium

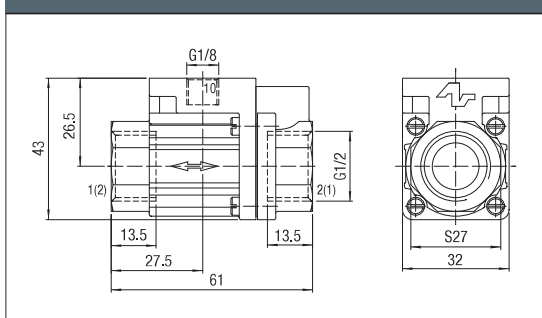
Price group 53	Function "B" normally open (without control pressure)	low noise and impact-free closing, for neutral, gaseous and fluids	Brass							
Version		Control pressure [bar]	DN	Kv-value water [m³/h]	G	PN	Sealing material	Type	Order number	Price
	2/2-way valve pressure operated by own medium Permitted operating pressure 0.3 to 16 bar	\geq excess operating pressure max. 16 bar	13	3.2	G 1/2	16	NBR	PGV-331-B76-1/2BN	614151	o. r.
			13	3.2	G 1/2	16	EPDM	PGV-331-B76-1/2PN	614153	o. r.
			13	3.2	G 1/2	16	FKM	PGV-331-B76-1/2FN	614155	o. r.

Illustration

Remotely operated 2/2-way valve regulated by own medium with 2/2-way valve (negative control)

Remotely operated 2/2-way valve regulated by own medium with 2/2-way valve (control medium recycled)

Remotely operated pressure regulator valve regulated by own medium with pressure regulator (control medium recycled)

Illustration

Variations

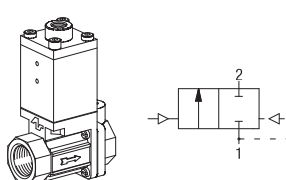
2/2-way flange mount valve (only external medium vers.)
 Flange-side or thread-side pressure inlet
 Type PGV-331-BH7-.....

Options

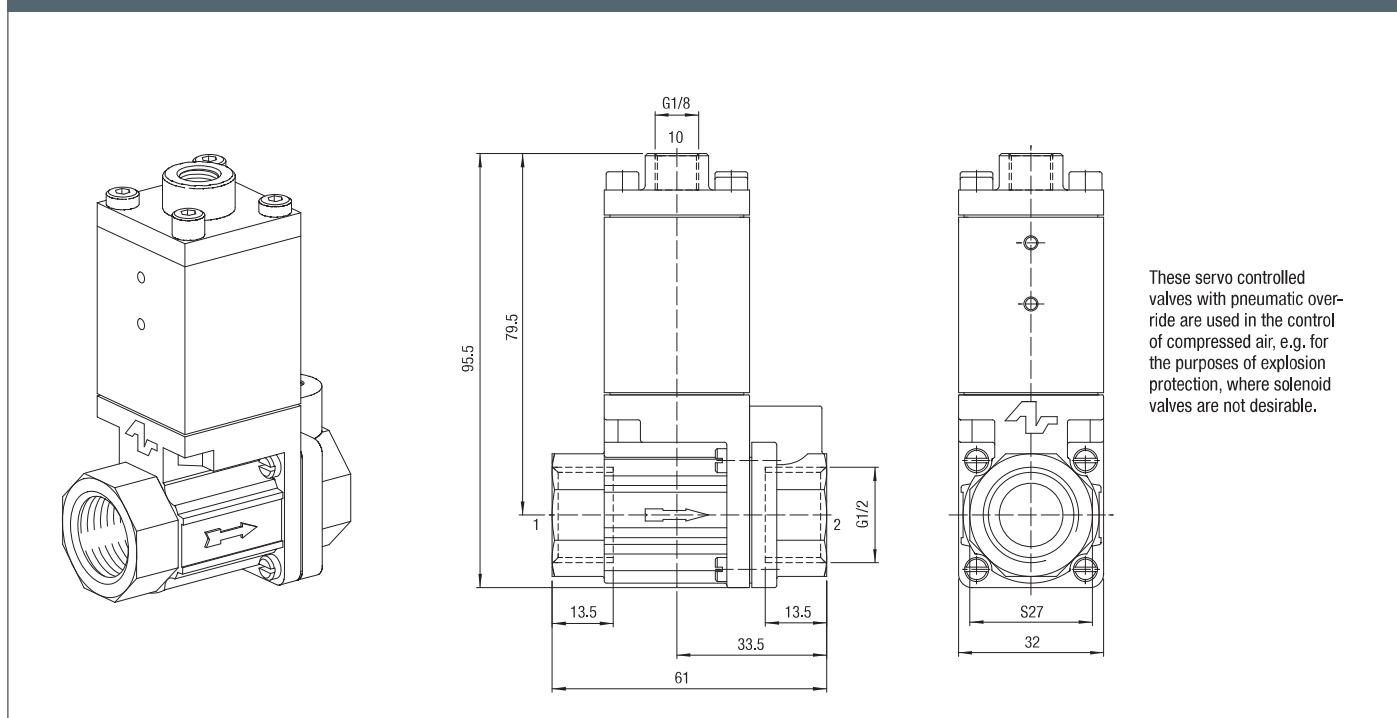
0-pressure membrane, requires no differential pressure to open, however control pressure to close 1 bar above operating pressure
 Type PGV-331-B76-../.0

2/2-Way Valve - Type PGV Series 300 - Pressure Operated

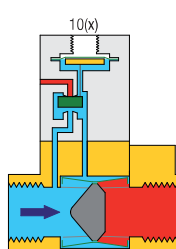
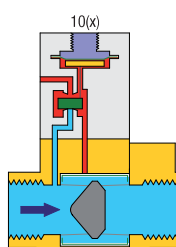
Price group 53	Function "A" normally closed	low noise functioning, for gaseous medium, especially compressed air	Brass
-----------------------	------------------------------	--	--------------

Version	Control pressure [bar]	DN	Flow air [Nm³/h]	G	PN	Sealing material	Type	Order number	Price
 <p>2/2-way valve pressure-operated by maintained compressed air Permitted operating pressure 0.3 to 16 bar</p>	4-7	13	3.2	G 1/2	16	NBR	PGV-351-A96-1/2BP	614181	o. r.

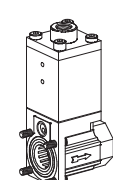
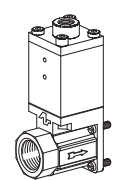
Illustration



Function

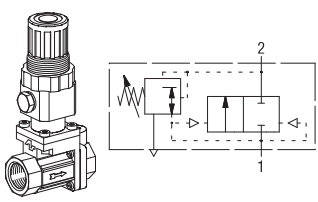
	<p>In 0-position - pre-control valve not pressurised - its seat is closed. Pressure thus builds up in the control chamber, which due to the larger effective membrane surface holds the membrane in "closed" position.</p>
	<p>In override position - pre-control valve pressurised - its override seat is closed. The control chamber is released by the open seat, and the membrane is held in "open" position by the flow medium. A minimum pressure difference is required for this.</p>

Variations

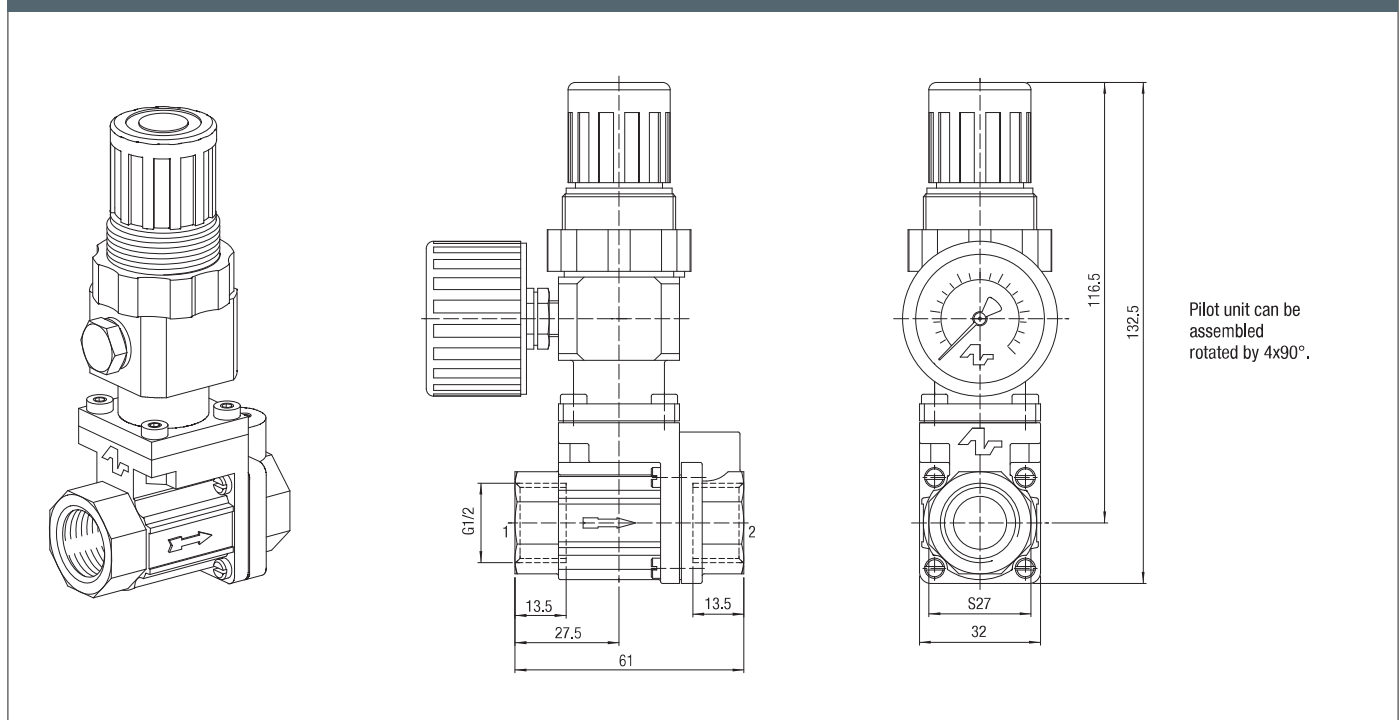
	<p>2/2-way flange mount valve Flange-side pressure inlet Type PGV-351-.AL7-1/2BP</p>
	<p>2/2-way flange mount valve Thread-side pressure inlet Type PGV-351-.A9H-1/2BP</p>

Pressure Regulator Valve - Type RGV Series 300

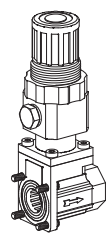
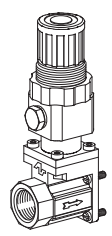
Price group 53	with secondary side ventilation	low noise and impact-free control, for neutral, gaseous medium (optional fluids)	Amb. temp. $T_{min} -20\text{ °C}$; $T_{max} +60\text{ °C}$ Med.-Temp. $T_{min} 0\text{ °C}$; $T_{max} +60\text{ °C}$				Brass
-----------------------	---------------------------------	--	--	--	--	--	--------------

Version	Secondary pressure [bar]	DN	Flow air [l/min]	G	PN	Sealing material	Type	Order number	Price
 <p>Pressure regulator valve without pressure gauge Permitted operating pressure 0.5 bar up to 16 bar</p>	0.5 - 10	13	150 to 1,500	G 1/2	16	NBR	RGV-351-1C78-1/2BN	653001	o. r.
	0.5 - 3	13	150 to 1,500	G 1/2	16	NBR	RGV-351-3C78-1/2BN	653002	o. r.
	0.5 - 6	13	150 to 1,500	G 1/2	16	NBR	RGV-351-6C78-1/2BN	653003	o. r.


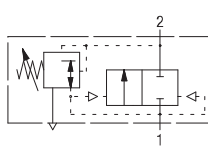
Illustration



Variations

	<p>Flange mount Pressure regulator valve Flange-side pressure inlet Type RGV-351-.CH9-....</p>
	<p>Flange mount Pressure regulator valve Thread-side pressure inlet Type RGV-351-.C7L-....</p>

Options

	<p>increases resistance to corrosion, and replaces stainless steel valves cost-effectively stainless steel pressure regulator Type RGV-351Q-...</p>
	<p>without secondary side ventilation of the pilot pressure regulator, especially for fluids Type RGV-351-.A78-...</p>


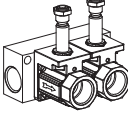
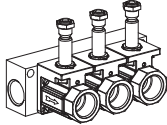
2/2-Way Solenoid Valve Battery - Type EGV Series 300

Price group **53**

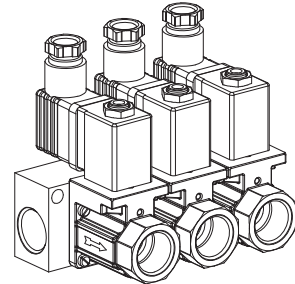
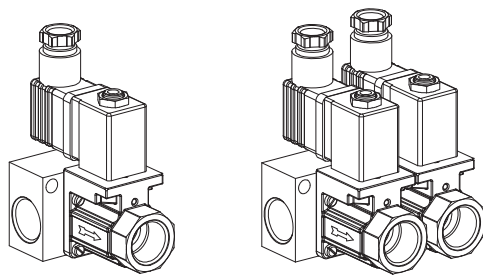
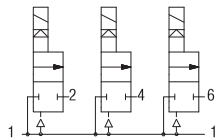
Function "A" normally closed, distributor version

low noise and impact-free closing, for neutral, gaseous or fluids

Brass

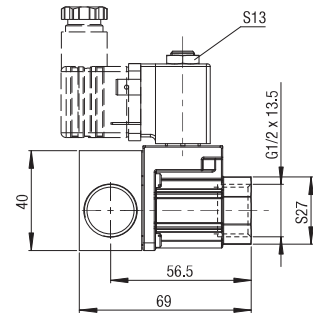
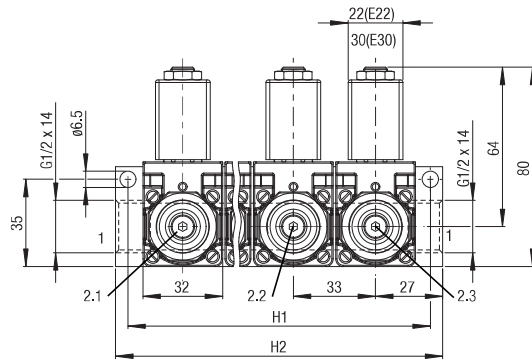
Version		DN	Kv-value water [m³/h]	G	PN	Possible type of power	Sealing material	Type	Order number	Price
 Valve without solenoid coil Permitted operating pressure 0,3 bar up to value according to table below.		13	3.2	G 1/2	16/8	AC/DC	NBR	EGV-311/V1-AH9-1/2BN-00	616801	o. r.
		13	3.2	G 1/2	16/8	AC/DC	EPDM	EGV-311/V1-AH9-1/2PN-00	616831	o. r.
		13	3.2	G 1/2	16/8	AC/DC	FKM	EGV-311/V1-AH9-1/2FN-00	616861	o. r.
 Valve, 2-fold Battery or solenoid coil Permitted operating pressure 0,3 bar up to value according to table below.		13	3.2	G 1/2	16/8	AC/DC	NBR	EGV-311/V2-AH9-1/2BN-00	616802	o. r.
		13	3.2	G 1/2	16/8	AC/DC	EPDM	EGV-311/V2-AH9-1/2PN-00	616832	o. r.
		13	3.2	G 1/2	16/8	AC/DC	FKM	EGV-311/V2-AH9-1/2FN-00	616862	o. r.
 Valve, 3-fold Battery or solenoid coil Permitted operating pressure 0,3 bar up to value according to table below.		13	3.2	G 1/2	16/8	AC/DC	NBR	EGV-311/V3-AH9-1/2BN-00	616803	o. r.
		13	3.2	G 1/2	16/8	AC/DC	EPDM	EGV-311/V3-AH9-1/2PN-00	616833	o. r.
		13	3.2	G 1/2	16/8	AC/DC	FKM	EGV-311/V3-AH9-1/2FN-00	616863	o. r.

Illustration



Valve Version

Description	H1	H2
Single valve	44	54
2-fold battery	77	87
3-fold battery	110	120
4-fold battery	143	153
5-fold battery	176	186
6-fold battery	209	219
7-fold battery	242	252
8-fold battery	275	285
9-fold battery	308	318
10-fold battery	341	351



Valve batteries series 300 can also be delivered at short notice in 4- to 10-fold version

Valve batteries series 100 can also be constructed combined, with all valve Types, for all listed functions and with various options according to customer requirements.

Solenoid valves, with pressure regulator, pressure operated valves or pressure regulator valves, can thus be flange-mounted on a collector plate according to requirement, or also opposite laterally reversed. Likewise the flow direction of the flange valves can be freely selected to a large extent. (Distributor or mixer version)

AVS Römer furthermore manufactures so-called multi-functional blocks, with integrated injectors, pressure sensors and such like.

Permitted Operating Pressure OP

DN	Type	PN	Combinable solenoid coil		Permitted Operating Pressure OP [bar] at ambient temperature + 60 °C																			
					Nominal power P ₂₀			AC 50 Hz			AC 60 Hz			DC 90 %U _N			DC 100 %U _N							
			Type	AC 50 Hz [VA]	AC 60 Hz [VA]	DC [W]	Medium temperature			Medium temperature			Medium temperature			Medium temperature								
				60 °C	90 °C	130 °C	60 °C	90 °C	130 °C	60 °C	90 °C	130 °C	60 °C	90 °C	130 °C	60 °C	90 °C	130 °C						
13	EGV-311/V-..A..	16/8	E22...L.	3.5	on req.	2.5	on req.	on req.	on req.	on req.	on req.	16	16	16	16	16	16	16	16	16	16	16	16	16
			E22...M.	5.5	5	5	-	-	-	-	-	16	16	16	16	16	16	16	16	16	16	16	16	16
			E22...H.	-	-	8	-	-	-	-	-	16	16	16	16	16	16	16	16	16	16	16	16	16
			E30...P.	12	10,5	8	16	16	16	16	16	16	16	16	16	16	16	16	16	16	16	16	16	16

2/2-Way Solenoid Valve Battery - Type EGV Series 300

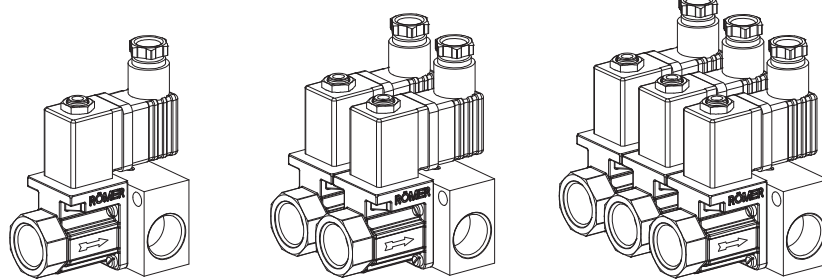
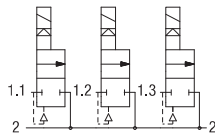
 Price group **53**

Function "A" normally closed, mixer version

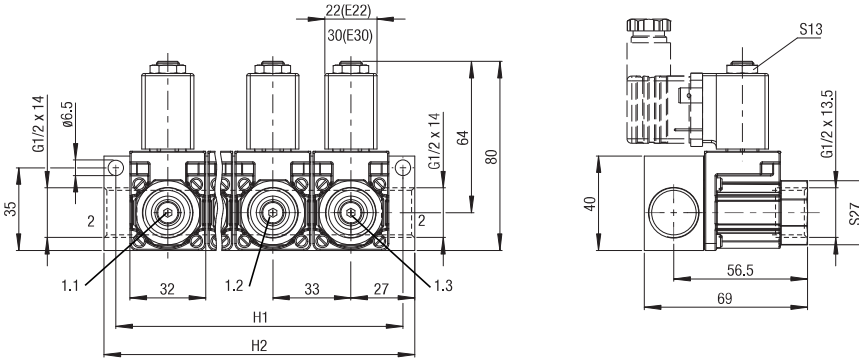
low noise and impact-free closing, for neutral, gaseous or fluids

Brass

Version	Non-return valve	DN	Kv-value water [m³/h]	G	PN	Possible type of power	Sealing material	Type	Order number	Price
Valve without solenoid coil Permitted operating pressure 0.3 bar up to value according to table below.	without	13	3.2	G 1/2	16/8	AC/DC	NBR	EGV-311/M1-A7L-1/2BN-00	616811	o. r.
	with	13	3.2	G 1/2	16/8	AC/DC	NBR	EGV-311/M1-A7L-1/2BR-00	616821	o. r.
	without	13	3.2	G 1/2	16/8	AC/DC	EPDM	EGV-311/M1-A7L-1/2PN-00	616841	o. r.
	with	13	3.2	G 1/2	16/8	AC/DC	EPDM	EGV-311/M1-A7L-1/2PR-00	616851	o. r.
	without	13	3.2	G 1/2	16/8	AC/DC	FKM	EGV-311/M1-A7L-1/2FN-00	616871	o. r.
	with	13	3.2	G 1/2	16/8	AC/DC	FKM	EGV-311/M1-A7L-1/2FR-00	616881	o. r.
Valve, 2-fold Battery or solenoid coil Permitted operating pressure 0.3 bar up to value according to table below.	without	13	3.2	G 1/2	16/8	AC/DC	NBR	EGV-311/M2-A7L-1/2BN-00	616812	o. r.
	with	13	3.2	G 1/2	16/8	AC/DC	NBR	EGV-311/M2-A7L-1/2BR-00	616822	o. r.
	without	13	3.2	G 1/2	16/8	AC/DC	EPDM	EGV-311/M2-A7L-1/2PN-00	616842	o. r.
	with	13	3.2	G 1/2	16/8	AC/DC	EPDM	EGV-311/M2-A7L-1/2PR-00	616852	o. r.
	without	13	3.2	G 1/2	16/8	AC/DC	FKM	EGV-311/M2-A7L-1/2FN-00	616872	o. r.
	with	13	3.2	G 1/2	16/10	AC/DC	FKM	EGV-311/M2-A7L-1/2FR-00	616882	o. r.
Valve, 3-fold Battery or solenoid coil Permitted operating pressure 0.3 bar up to value according to table below.	without	13	3.2	G 1/2	16/8	AC/DC	NBR	EGV-311/M3-A7L-1/2BN-00	616813	o. r.
	with	13	3.2	G 1/2	16/8	AC/DC	NBR	EGV-311/M3-A7L-1/2BR-00	616823	o. r.
	without	13	3.2	G 1/2	16/8	AC/DC	EPDM	EGV-311/M3-A7L-1/2PN-00	616843	o. r.
	with	13	3.2	G 1/2	16/8	AC/DC	EPDM	EGV-311/M3-A7L-1/2PR-00	616853	o. r.
	without	13	3.2	G 1/2	16/8	AC/DC	FKM	EGV-311/M3-A7L-1/2FN-00	616873	o. r.
	with	13	3.2	G 1/2	16/10	AC/DC	FKM	EGV-311/M3-A7L-1/2FR-00	616883	o. r.

Illustration

Valve Version

Description	H1	H2
Single valve	44	54
2-fold battery	77	87
3-fold battery	110	120
4-fold battery	143	153
5-fold battery	176	186
6-fold battery	209	219
7-fold battery	242	252
8-fold battery	275	285
9-fold battery	308	318
10-fold battery	341	351



The pressure value at outlet "2" may not exceed the values at inlets 1.1, 1.2 or 1.3, otherwise the version with integrated non-return valves should be selected. These block up to a pressure difference of 10 bar.

Valve batteries series 300 can also be delivered at short notice in 4- to 10-fold version.

Valve batteries series 100 can also be constructed combined, with all valve Types, for all listed functions and with various options according to customer requirements.

Solenoid valves, with pressure regulator, pressure operated valves or pressure regulator valves, can thus be flange-mounted on a collector plate according to requirement, or also opposite laterally reversed. Likewise the flow direction

of the flange valves can be freely selected to a large extent. (Distributor or mixer version) AVS Römer furthermore manufactures so-called multi-functional blocks, with integrated injectors, pressure sensors and such like.

Permitted Operating Pressure OP

DN	Type	PN	Combinable solenoid coil		Permitted Operating Pressure OP [bar] at ambient temperature +60 °C																	
			Type	Nominal power P ₂₀			AC 50 Hz 90 %U _N Medium temperature			AC 60 Hz 90 %U _N Medium temperature			DC 90 %U _N Medium temperature			DC 90 %U _N Medium temperature			DC 100 %U _N Medium temperature			
				AC 50 Hz [VA]	AC 60 Hz [VA]	DC [W]	60 °C	90 °C	130 °C	60 °C	90 °C	130 °C	60 °C	90 °C	130 °C	60 °C	90 °C	130 °C	60 °C	90 °C	130 °C	
				on req.	on req.	on req.	on req.	on req.	on req.	on req.	on req.	on req.	on req.	on req.	on req.	on req.	on req.	on req.	on req.	on req.	on req.	on req.
13	EGV-311/M.-A..	16/8	E22...L.	3.5	on req.	2.5	on req.	on req.	on req.	on req.	6	5	4	4	3	2	6	5	4			
			E22...M.	5.5	5	5	16	16	16	16	16	16	16	16	16	16	16	16	16	16	16	
			E22...H.	-	-	8	-	-	-	-	-	-	16	16	16	16	16	16	16	16	16	16
			E30...P.	12	10.5	8	16	16	16	16	16	16	16	16	16	16	16	16	16	16	16	16

