

# 400 SERIES

## Check Valves

Series of check valve with brass and stainless steel connections and different sealing options. Wide range of pressure set is available as standard. For special setting please contact ODE.



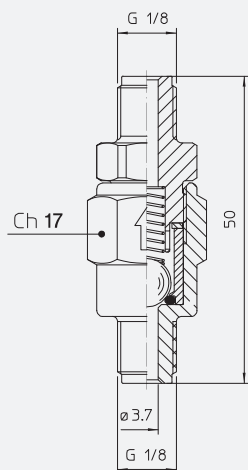
### TECHNICAL DATA

|                             |  |                              |              |              |            |              |              |
|-----------------------------|--|------------------------------|--------------|--------------|------------|--------------|--------------|
| <b>CODE</b>                 | 400214                                     | 400855                       | 400908       | 400934       | 400997     | 401003       | 401013       |
| <b>INLET CONNECTION</b>     | G 1/8 male                                 | G 1/8 male                   | G 1/8 female | G 1/8 male   | G 1/8 male | R 1/8        | R 1/8        |
| <b>OUTLET CONNECTION</b>    | G 1/8 male                                 | G 1/8 male (stainless steel) | G 1/8 male   | G 1/8 female | R 1/8      | G 1/8 female | G 1/8 female |
| <b>MAX OPENING PRESSURE</b> | 0,3 bar                                    |                              |              |              |            |              |              |
| <b>SEALING MATERIALS</b>    | VMQ   FKM   HNBR                           |                              |              |              |            |              |              |
| <b>FLUID TEMPERATURE</b>    | -10°C +100°C   -10°C +140°C   -30°C +130°C |                              |              |              |            |              |              |
| <b>FLUIDS</b>               | Water   Air, water, oils   R 134a, R 404a  |                              |              |              |            |              |              |

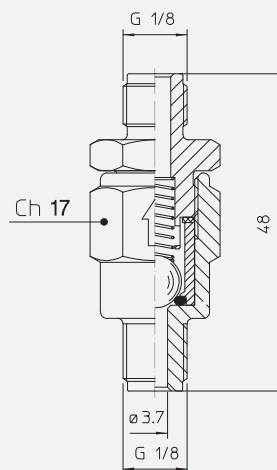
### MATERIALS

|                          |  |
|--------------------------|--|
| <b>INLET CONNECTION</b>  | Brass                                    |
| <b>OUTLET CONNECTION</b> | Brass or Stainless steel AISI series 300 |
| <b>BUSHING</b>           | Brass                                    |
| <b>SPRING</b>            | Stainless steel AISI series 300          |
| <b>BALL</b>              | Stainless steel                          |
| <b>WASHER</b>            | Copper                                   |
| <b>SEALING MATERIALS</b> | blank=VMQ, V=FKM, F=HNBR                 |

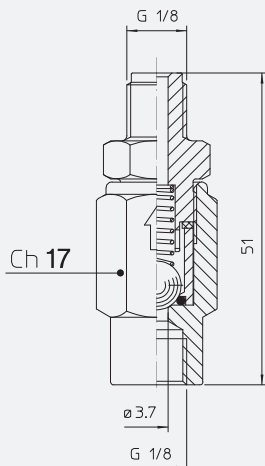
**400214**



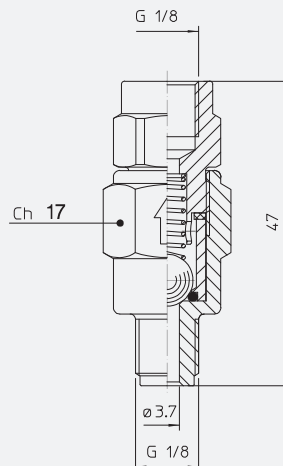
**400855**



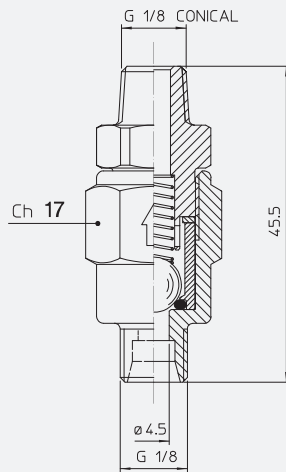
**400908**



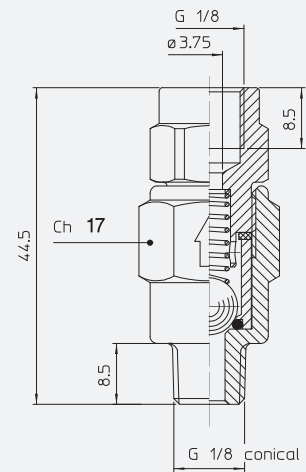
**400934**



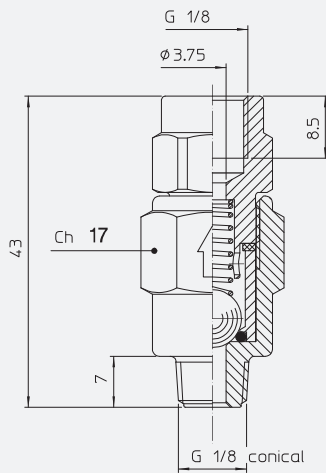
400997



401003



401013



CODIFICATION

I  
400214

/

II  
S

I. SERIES

- 400214 - G 1/8 male inlet - G 1/8 male outlet
- 400855 - G 1/8 male brass inlet - G 1/8 male StSt outlet
- 400908 - G 1/8 female inlet - G 1/8 male outlet
- 400934 - G 1/8 male inlet - G 1/8 female outlet
- 400997 - G 1/8 inlet - R 1/8 outlet
- 401003 - R 1/8 inlet - G 1/8 female outlet
- 401013 - R 1/8 inlet - G 1/8 female outlet

II. SEALING MATERIAL

- blank - VMQ
- V - FKM (available only for 400214 series)
- F - HNBR (available only for 400214 and 400934 series)