



Electronic Driver for Proportional Solenoid Valves

PECU5000/

DESCRIPTION:

PECU (Proportional Electronic Control Unit) can be used on all ODE proportional flow valves with Din connector (both on 8W and 12W coils). To maintain a specific flow rate, current through the coil must be kept constant and independent from variations of coil resistance caused by temperature alterations. The control unit (PECU) uses a PWM (Pulse Width Modulation) signal that thanks to the dither technology is able to increase precision and histeresys. PECU is able to do different checks in real time and perform a quick valve regulation.

APPLICATION:

- Industrial flow control
- Industrial welding machinery
- Medical
- Dosing system



TECHNICAL DETAILS:

Supply voltage 24V DC - 5% + 10%
 Input 0-10V or 4-20mA
 Protection degree IP 65
 Operating temperature range - 40°C + 80°C
 Adjust by trimmer
 - dither threshold frequency and amplitude
 - offset
 - rise/fall time

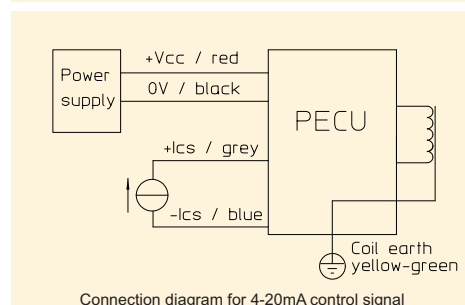
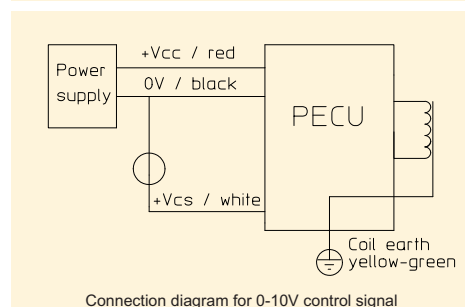
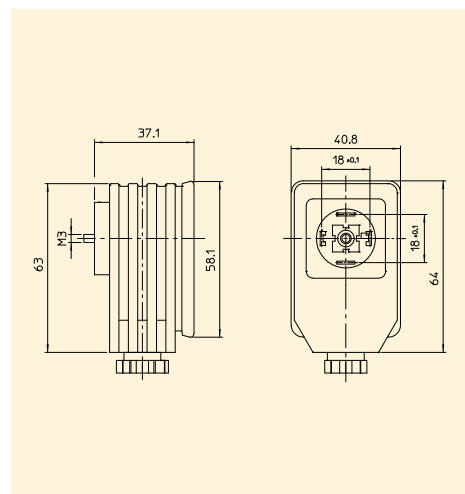
Electrical connection EN 175301-803 paragraph 5.3.1
 Connection cable Ø 7 mm, -20°C + 80°C, flexible, oil and chemical proof (other lenght or temperature on request)

Code	Cable Length
PECU5000/1000	1000 mm
PECU5000/3000	3000 mm
PECU5000/5000	5000 mm

MATERIALS:

Body PA6 + 30% glass fiber
 Cover Radel A-300
 Gasket O-Ring NBR

DIMENSIONS:



The "ODE" reserves the right to carry out technical and aesthetic modifications without prior notification.