

P992221 - P992257 ATEX

Coil connectors

Series of ATEX approved plugs for the connection of electrical components accordance with EN 175301-803.



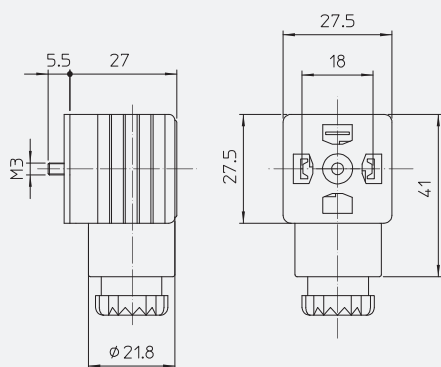
TECHNICAL DATA

CODE	P992221	P992257
COMPATIBLE COILS	B, U, G SERIES	L SERIES
ELECTRICAL STANDARD	EN 175301-803	EN 175301-803
NUMBER OF CONTACTS	2 + EARTH	2 + EARTH
SUPPLY VOLTAGE	AC / DC MAX. 250 V	AC / DC MAX. 250 V
OPERATING CURRENT	10 A	10 A
MAX. CURRENT	16 A	16 A
CONTACT RESISTANCE	≤ 15 MΩ	≤ 4 MΩ
MAX. CONDUCTOR SECTION	1,5 mm	1,5 mm
CABLE DIAMETER	PG 09 (6 ÷ 8 mm) PG 11 (8 ÷ 10 mm)	PG 09 (6 ÷ 8 mm)
PROTECTION CLASS	IP65/67 EN 60529	IP65 EN 60529
INSULATION CLASS	CE	CE
APPROVALS	CE	CE

MATERIALS

HOUSING	PA	PA
SEALING	VMQ (-20°C +80°C)	VMQ (-20°C +80°C)

P992221

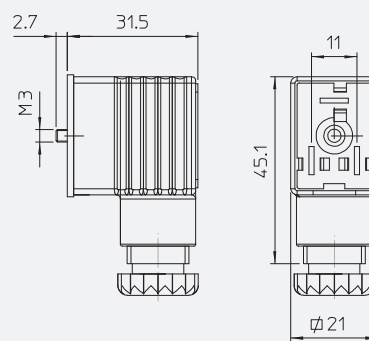


**According to Directive
2014/34/EU ATEX**



II 2G Ex eb IIC T6 Gb
II 2D Ex tb IIIC T85°C Db IP65/67

P992257



**According to Directive
2014/34/EU ATEX**



II 2G Ex eb IIC T6 Gb
II 2D Ex tb IIIC T85°C Db IP65/67