

# B SERIES for Ex d incl.

## Coils, Atex

**B Series** coils are 30 mm wide, suitable for armature tubes with diameter 13 mm. These coils are the only ones that can be used with Atex valves with Ex d type protection.



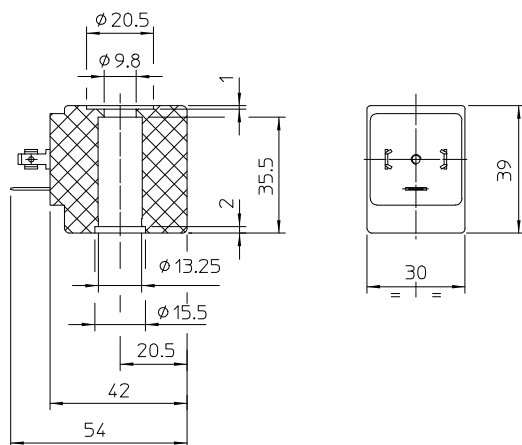
### TECHNICAL DATA

ELECTRICAL CONNECTIONS	EN 175301-803 paragraph 5.3.1 (form A, 18 mm)
PROTECTION DEGREE	IP 65 EN 60529 (DIN 40050) (with connector)
WINDING INSULATION CLASS	class H
COIL INSULATION CLASS	class H (180°C)
COIL ENCAPSULATION MATERIALS	Black PET (polyethylene)

### DIN CONNECTIONS CLASS H

CODE	VOLTAGE / FREQUENCY	POWER RATING	AMBIENT TEMPERATURE	DUTY CYCLE	APPROVALS
BDV08012CY	12 V DC	11 W	-40°C +60°C	100%	CE
BDV08024CY	24 V DC	11 W	-40°C +60°C	100%	CE
BDV08024DY	24 V / 50-60 Hz	17 VA	-40°C +60°C	100%	CE
BDV08048CY	48 V DC	10 W	-40°C +60°C	100%	CE
BDV08048DY	48 V / 50-60 Hz	15 VA	-40°C +60°C	100%	CE
BDV08110AY	110 V / 50 Hz	15 VA	-40°C +60°C	100%	CE
BDV08110CY	120 V / 60 Hz	15 VA	-40°C +60°C	100%	CE
BDV08110CY	110 V DC	11 W	-40°C +60°C	100%	CE
BDV08230CY	230 V DC	10 W	-40°C +60°C	100%	CE
BDV08230AY	230 V / 50 Hz	16 VA	-40°C +60°C	100%	CE
	240 V / 60 Hz				

■ Tolerances on nominal voltages: AC + 10% - 15% DC + 10% - 5%



Coils ■ Atex ■ **B EX D SERIES**

CODIFICATION

I	II	III	IV	V	VI	VII
<b>B</b>	<b>D</b>	<b>V</b>	<b>08</b>	<b>024</b>	<b>C</b>	<b>Y</b>

**I. SERIES**

- L - Width 22 - tube Ø 10
- B - Width 30 - tube Ø 13
- U - Width 36 - tube Ø 13
- G - Width 52 - tube Ø 13

**II. ELECTRICAL CONNECTIONS**

- B - connector EN 175301-803 industry standard form B
- D - connector EN 175301-803 form A
- V - 2 cables cm 50
- T - 2 cables cm 20

**III. COIL HOUSING MATERIAL**

- A - PA - Black polyamide - class F (155°C)
- V - PET - Black Polyethylene - class H (180°C)
- H - PPS - Black Polyphenilsulphide - class N (200°C)

**IV. POWER RATING**

- 1X - 1,5 W
- 2X - 2,5 W
- 4X - 7,2 VA
- 05 - 5 W - 7 W - 7,7 VA - 9,24 VA - 10 VA - 11,5 VA - 12,5 VA - 13,5 VA
- 5X - 9,13 VA
- 08 - 8 W - 10 W - 11 W - 14,5 VA - 15 VA - 16 VA - 17 VA
- 10 - 9,9 W - 10,1 W
- 12 - 12 W - 22 VA - 23 VA - 25 VA
- 14 - 14 W - 23 VA - 26 VA - 27 VA
- 16 - 16 W

**V. VOLTAGE**

- 004 - 4,5 V
- 006 - 6 V
- 009 - 9 V
- 012 - 12 V
- 024 - 24 V
- 110 - 110 V / 50 Hz - 120 V / 60 Hz \*
- 112 - 110 -120 V
- 220 - 220 V
- 223 - 220-230 V
- 224 - 220-240 V
- 230 - 230 V / 50 Hz - 240 V / 60 Hz \*
- 240 - 240 V
- 380 - 380 V

**VI. FREQUENCY**

- A - 50 Hz ED 100% \*
- B - 60 Hz ED 100%
- C - D.C. ED 100%
- D - 50/60 Hz ED 100%
- E - 50 Hz ED 50%
- H - D.C. ED 50%
- L - Latching coils

**VII. APPROVALS**

- Y - CE, UL, CSA, VDE approval

\* Voltage code 110 A = 110 V / 50 Hz - 120 V / 60 Hz ED 100%  
Voltage code 230 A = 230 V / 50 Hz - 240 V / 60 Hz ED 100%