

G Ex nA SERIES

Coils, Atex

G Series coils are 52 mm wide, suitable for armature tubes with diameter 13 mm.



TECHNICAL DATA

ELECTRICAL CONNECTIONS	EN 175301-803 paragraph 5.3.1 (form A, 18 mm)
PROTECTION DEGREE	IP 65 EN 60529 (DIN 40050) (with connector)
WINDING INSULATION CLASS	class H
COIL INSULATION CLASS	class H (180°C)
COIL ENCAPSULATION MATERIALS	Black PET (polyethylene)

DIN CONNECTIONS CLASS H

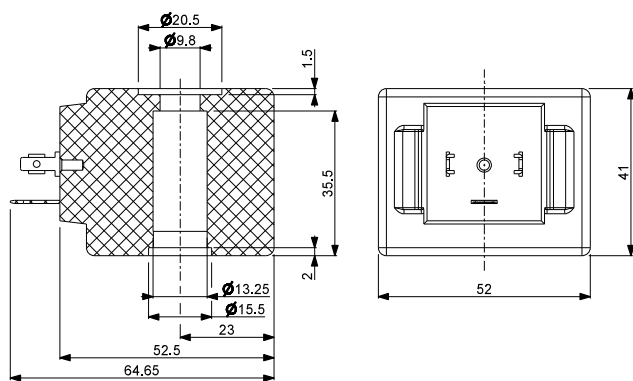
CODE	VOLTAGE / FREQUENCY	POWER RATING	AMBIENT TEMPERATURE	DUTY CYCLE
GDV14012C3	12 V DC	14 W	-40°C +85°C	100%
GDV14024C3	24 V DC	14 W	-40°C +85°C	100%
GDV14024D3	24 V / 50-60 Hz	27 VA	-40°C +75°C	100%
GDV14110A3	110 V / 50 Hz 120 V / 60 Hz	27 VA	-40°C +75°C	100%
GDV14230AY	230 V / 50 Hz 240 V / 60 Hz	31 VA	-40°C +75°C	100%

■ Tolerances on nominal voltages: AC + 10% - 15% DC + 10% - 5%.



According to Directive 2014/34/EU ATEX

II 3G Ex nA IIC T3 Gc
II 3D Ex tc IIIC T200°C Dc IP 65



Coils ■ Atex ■ **G EX NA SERIES**

I	II	III	IV	V	VI	VII	CODIFICATION
G	D	V	14	024	C	3	
<p>I. SERIES</p> <p>L - Width 22 - tube Ø 10 B - Width 30 - tube Ø 13 U - Width 36 - tube Ø 13 G - Width 52 - tube Ø 13</p> <p>II. ELECTRICAL CONNECTIONS</p> <p>B - connector EN 175301-803 industry standard form B D - connector EN 175301-803 form A V - 2 cables cm 50 T - 2 cables cm 20</p> <p>III. COIL HOUSING MATERIAL</p> <p>A - PA - Black polyamide - class F (155°C) V - PET - Black Polyethylene - class H (180°C) H - PPS - Black Polyphenilsuphide - class N (200°C)</p>	<p>IV. POWER RATING</p> <p>1X - 1.5 W 2X - 2.5 W 4X - 7.2 VA 05 - 5 W - 7 W - 7.7 VA - 9.24 VA - 10 VA - 11.5 VA - 12.5 VA - 13.5 VA 5X - 9.13 VA 08 - 8 W - 10 W - 11 W - 14.5 VA - 15 VA - 16 VA - 17 VA 10 - 9.9 W - 10.1 W 12 - 12 W - 22 VA - 23 VA - 25 VA 14 - 14 W - 23 VA - 26 VA - 27 VA 16 - 16 W</p> <p>V. VOLTAGE</p> <p>004 - 4.5 V 006 - 6 V 009 - 9 V 012 - 12 V 024 - 24 V 110 - 110 V / 50 Hz - 120 V / 60 Hz * 112 - 110 -120 V 220 - 220 V 223 - 220-230 V 224 - 220-240 V 230 - 230 V / 50 Hz - 240 V / 60 Hz * 240 - 240 V 380 - 380 V</p>	<p>VI. FREQUENCY</p> <p>A - 50 Hz ED 100% * B - 60 Hz ED 100% C - D.C. ED 100% D - 50/60 Hz ED 100% E - 50 Hz ED 50% H - D.C. ED 50% L - Latching coils</p> <p>VII. APPROVALS</p> <p>3 - ATEX approval</p>					

* Voltage code 110 A = 110 V / 50 Hz - 120 V / 60 Hz ED 100%
 Voltage code 230 A = 230 V / 50 Hz - 240 V / 60 Hz ED 100%