

U Ex nA SERIES

Coils, Atex

U Series coils are 36 mm wide, suitable for armature tubes with diameter 13mm.



TECHNICAL DATA

ELECTRICAL CONNECTIONS	EN 175301-803 paragraph 5.3.1 (form A, 18 mm)
PROTECTION DEGREE	IP 65 EN 60529 (DIN 40050) (with connector)
WINDING INSULATION CLASS	class H
COIL INSULATION CLASS	class H (180°C)
COIL ENCAPSULATION MATERIALS	Black PET (polyethylene)

CLASS H

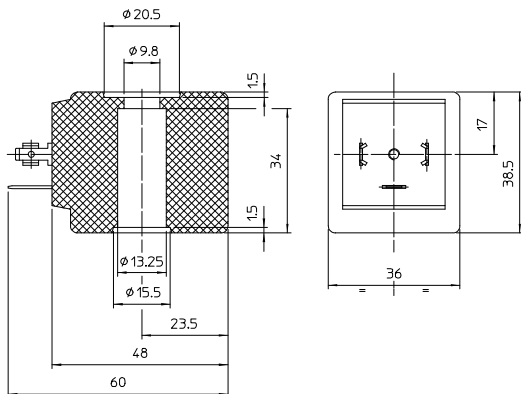
CODE	VOLTAGE / FREQUENCY	POWER RATING	AMBIENT TEMPERATURE	DUTY CYCLE
REDUCED POWER				
UDV12012C3	12 V DC	13 W	-40°C +75°C	100%
UDV12024C3	24 V DC	13 W	-40°C +75°C	100%
UDV12024D3	24 V / 50-60 Hz	18 VA	-40°C +75°C	100%
UDV12110A3	110 V / 50 Hz 120 V / 60 Hz	17 VA	-40°C +75°C	100%
UDV12230A3	230 V / 50 Hz 240 V / 60 Hz	17 VA	-40°C +75°C	100%

- Tolerances on nominal voltages: AC + 10% - 15% DC + 10% - 5%.
- Performances of the valves may vary when using reduced power coils. Please contact ODE before order.



According to Directive 2014/34/EU ATEX

II 3G Ex nA IIC T3 Gc
II 3D Ex tc IIIC T200°C Dc IP 65



Coils ■ Atex ■ **U EX NA SERIES**

CODIFICATION

I **II** **III** **IV** **V** **VI** **VII**

U **D** **V** **16** **024** **C** **3**

I. SERIES

- L** - Width 22 - tube Ø 10
- B** - Width 30 - tube Ø 13
- U** - Width 36 - tube Ø 13
- G** - Width 52 - tube Ø 13

II. ELECTRICAL CONNECTIONS

- B** - connector EN 175301-803 industry standard form B
- D** - connector EN 175301-803 form A
- V** - 2 cables cm 50
- T** - 2 cables cm 20

III. COIL HOUSING MATERIAL

- A** - PA - Black polyamide - class F (155°C)
- V** - PET - Black Polyethylene - class H (180°C)
- H** - PPS - Black Polyphenilsuphide - class N (200°C)

IV. POWER RATING

- 1X** - 1,5 W
- 2X** - 2,5 W
- 4X** - 7,2 VA
- 05** - 5 W - 7 W - 7,7 VA - 9,24 VA
- 10 VA - 11,5 VA - 12,5 VA - 13,5 VA
- 5X** - 9,13 VA
- 08** - 8 W - 10 W - 11 W - 14,5 VA
- 15 VA - 16 VA - 17 VA
- 10** - 9,9 W - 10,1 W
- 12** - 12 W - 22 VA
- 23 VA - 25 VA
- 14** - 14 W - 23 VA
- 26 VA - 27 VA
- 16** - 16 W

V. VOLTAGE

- 004** - 4,5 V
- 006** - 6 V
- 009** - 9 V
- 012** - 12 V
- 024** - 24 V
- 110** - 110 V / 50 Hz - 120 V / 60 Hz *
- 112** - 110 -120 V
- 220** - 220 V
- 223** - 220-230 V
- 224** - 220-240 V
- 230** - 230 V / 50 Hz - 240 V / 60 Hz *
- 240** - 240 V
- 380** - 380 V

VI. FREQUENCY

- A** - 50 Hz ED 100% *
- B** - 60 Hz ED 100%
- C** - D.C. ED 100%
- D** - 50/60 Hz ED 100%
- E** - 50 Hz ED 50%
- H** - D.C. ED 50%
- L** - Latching coils

VII. APPROVALS

- 3** - ATEX approval

* Voltage code 110 A = 110 V / 50 Hz - 120 V / 60 Hz ED 100%
Voltage code 230 A = 230 V / 50 Hz - 240 V / 60 Hz ED 100%