

U SERIES

Coils

U Series coils are 36 mm wide, suitable for armature tubes with diameter 13 mm. All models are UL recognized.



TECHNICAL DATA

ELECTRICAL CONNECTIONS	EN 175301-803 paragraph 5.3.1 (form A, 18 mm)
PROTECTION DEGREE	IP 65 EN 60529 (DIN 40050) (with connector)*
WINDING INSULATION CLASS	class H
COIL INSULATION CLASS	class H (180°C)
COIL ENCAPSULATION MATERIALS	Black PET (polyethylene)

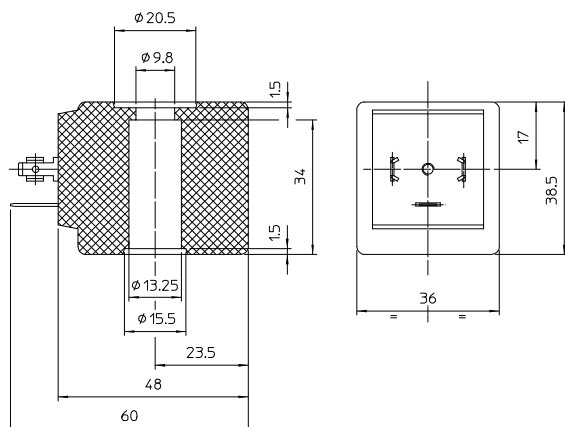
*IP 67 possible with anti-umidity kit R453382/U and suitable connector. Please refer to chapter 9.

DIN CONNECTIONS CLASS H

CODE	VOLTAGE / FREQUENCY	POWER RATING	AMBIENT TEMPERATURE	DUTY CYCLE	APPROVALS
REDUCED POWER					
UDV12012CY	12 V DC	13 W	-20°C +60°C	100%	CE
UDV12024CY	24 V DC	13 W	-20°C +60°C	100%	CE
UDV12024DY	24 V / 50-60 Hz	18 VA	-20°C +60°C	100%	CE
UDV12110AY	110 V / 50 Hz 120 V / 60 Hz	17 VA	-20°C +60°C	100%	CE
UDV12230AY	230 V / 50 Hz 240 V / 60 Hz	17 VA	-20°C +60°C	100%	CE
STANDARD POWER					
UDV16024CY	24 V DC	16 W	-20°C +40°C	100%	CE
UDV12112DW	110-120 V / 50-60 Hz	23 VA	-20°C +40°C	100%	CE
UDV12230DW	230 V / 50-60 Hz	25 VA	-20°C +40°C	100%	CE

■ Tolerances on nominal voltages: AC + 10% - 15% DC + 10% - 5%

■ Performances of the valves may vary when using reduced power coils. Please contact ODE before order.



Coils ■ U SERIES

CODIFICATION

I II III IV V VI VII
U D V 16 024 C Y

I. SERIES

- L - Width 22 - tube Ø 10
- B - Width 30 - tube Ø 13
- U - Width 36 - tube Ø 13
- G - Width 52 - tube Ø 13

II. ELECTRICAL CONNECTIONS

- B - connector EN 175301-803 industry standard form B
- D - connector EN 175301-803 form A
- V - 2 cables cm 50
- T - 2 cables cm 20

III. COIL HOUSING MATERIAL

- A - PA - Black polyamide - class F (155°C)
- V - PET - Black Polyethylene - class H (180°C)
- H - PPS - Black Polyphenilsuphide - class N (200°C)

IV. POWER RATING

- 1X - 1.5 W
- 2X - 2.5 W
- 4X - 7.2 VA
- 05 - 5 W - 7 W - 7.7 VA - 9.24 VA - 10 VA - 11.5 VA - 12.5 VA - 13.5 VA
- 5X - 9.13 VA
- 08 - 8 W - 10 W - 11 W - 14.5 VA - 15 VA - 16 VA - 17 VA
- 10 - 9.9 W - 10.1 W
- 12 - 12 W - 22 VA - 23 VA - 25 VA
- 14 - 14 W - 23 VA - 26 VA - 27 VA
- 16 - 16 W

V. VOLTAGE

- 004 - 4.5 V
- 006 - 6 V
- 009 - 9 V
- 012 - 12 V
- 024 - 24 V
- 110 - 110 V / 50 Hz - 120 V / 60 Hz *
- 112 - 110 -120 V
- 220 - 220 V
- 223 - 220-230 V
- 224 - 220-240 V
- 230 - 230 V / 50 Hz - 240 V / 60 Hz *
- 240 - 240 V
- 380 - 380 V

VI. FREQUENCY

- A - 50 Hz ED 100% *
- B - 60 Hz ED 100%
- C - D.C. ED 100%
- D - 50/60 Hz ED 100%
- E - 50 Hz ED 50%
- H - D.C. ED 50%
- L - Latching coils

VII. APPROVALS

- W - CE, UL approval
- Y - CE, UL, CSA, VDE approval

* Voltage code 110A = 110 V / 50 Hz - 120 V / 60 Hz ED 100%
 Voltage code 230A = 230 V / 50 Hz - 240 V / 60 Hz ED 100%