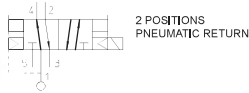
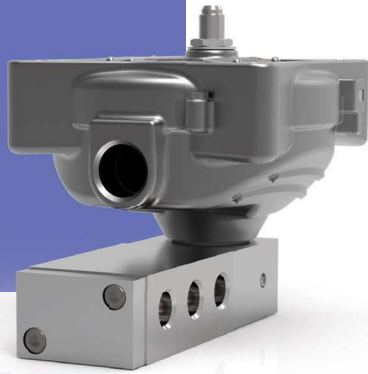


51 SERIES

Solenoid valves, 5-way, Indirect acting

The **51 series** are 5/2, solenoid operated, spool valves available with threaded port connections and NAMUR interface. Specific surface treatments and proven construction ensure protection against environmental corrosion and product reliability.

A minimum operating pressure of 0.7 bar is required.



TECHNICAL DATA

PORT CONNECTION	G 1/4		
SEALING MATERIALS	NBR		
FLUID TEMPERATURE	-10°C +90°C		
FLUIDS	Lubricated air		
VISCOSITY	-		
TUBE Ø - COIL WIDTH - SERIES	Ex d	ø 13 mm - 30 mm	BDV08 (class H)
INSTALLATION	as required, preferably with actuator upright		
PROTECTION DEGREE	Ex d	IP67 EN 60529 (DIN 40050) with cable gland IP67 or higher	

MATERIALS

BODY, ORIFICE	Anodized aluminum
ARMATURE TUBE	Stainless steel AISI Series 300
FIXED CORE	Stainless steel AISI Series 400
PLUNGER	Stainless steel AISI Series 400
PHASE DISPLACEMENT RING	Copper (Cu 99,9%) or gold plated copper
SPRING	Stainless steel AISI Series 300
SEALING	B=NBR

■ CE

- 2014/35/EU (LVD)
- 2014/30/EU (EMC)
- 2014/68/EU (PED) art. 4.3 up to 1";
- 2014/34/EU (ATEX). Refer to next pages for the complete marking

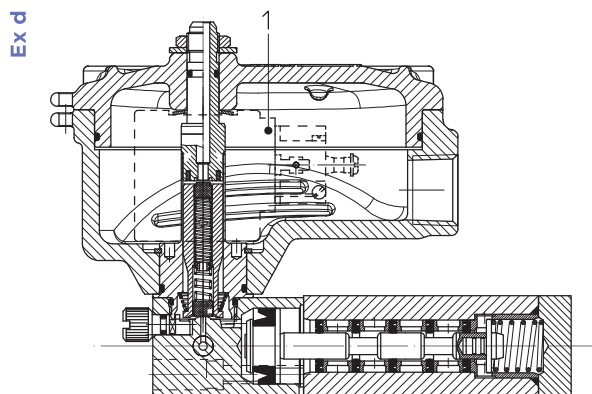
■ INDUSTRIAL OXYGEN

- Special versions suitable for contact with industrial oxygen are available. Please refer to codification options.

■ UL recognized and VDE

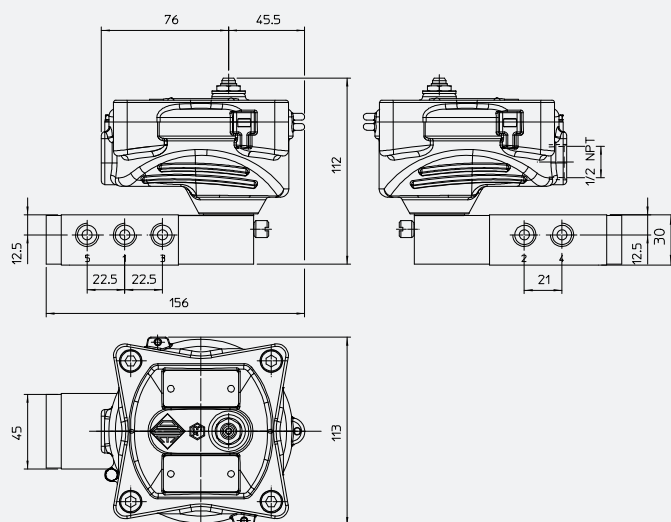
- approved coils are available for this series, please refer to coil section.

- The fluids listed in the "technical data" tables should be considered as a recommendation. Please check the chemical compatibility of the fluids with the materials of the valve at RFQ stage.
- For spare parts list please refer to the dedicated chapter.



Atex ■ Solenoid Valves ■ 5-way ■ Indirect acting ■ **51 SERIES**

DRAWING 1



PIPE	ORIFICE SIZE	Kv	COIL SERIES	PRESSURE [bar]			CODE		DRAWING REFERENCE	
				MIN	MOPD		BRASS	STAINLESS STEEL		
					AC	DC				PS
G1/4	6	6,5	BDV08	1,3	10	10	10	515620EIB15-2	1	1



According to Directive 2014/34/EU ATEX

II 2G Ex d IIC T6 o T5 Gb
 II 2D Ex tb IIIC T80°C o T95°C Db IP67