

MDO SERIES

Solenoid valves for gas appliances

MDO are 2-way Normally Open valves with manual reset specially designed for gas appliances.

During normal conditions there is no electric absorption, wear or tear of the internal parts.

The anti-tampering security key feature is available on request.

The valves can be equipped with a manual closing push button, which can be used to replace a manual closing tap.



TECHNICAL DATA

PORT CONNECTION	G1/2 + G2
SEALING MATERIALS	NBR
FLUIDS	non-aggressive gases of family I, II, III (dry gases)
RESPONSE TIME	closing time < 1 s
PROTECTION DEGREE	IP65 EN 60529 (DIN 40050) with plug connector
VOLTAGE TOLERANCE	-15% +10%
COIL HOUSING	CLASS F (155°C)
AMBIENT TEMPERATURE	-15°C +60°C
MAX SURFACE TEMPERATURE	+70°C

MATERIALS

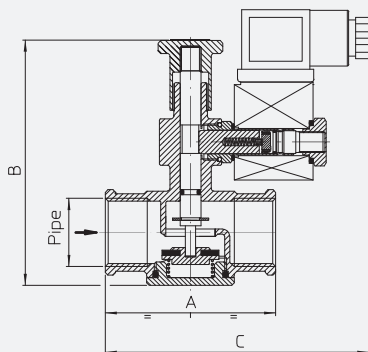
BODY	Brass or Aluminum
SEALING	NBR

- **CE**
- 2014/30/EU (EMC)
- 2014/35/EU (LVD)

▪ Please check the compatibility of the fluids in contact with the materials at RFQ stage.

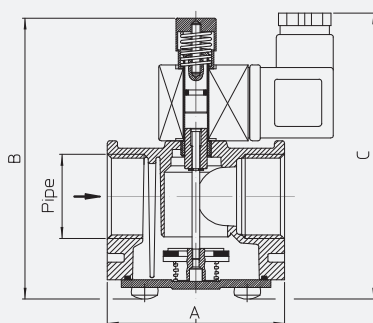
Process Valves & Components ■ Solenoid valves for gas appliances ■ **MDO SERIES**

DRAWING 1



PIPE	DIMENSIONS [mm]		
	A	B	C
G1/2	66	95 ~ 107	102
G3/4	66	95 ~ 107	102
G1	82	110 ~ 118	-

DRAWING 2-4

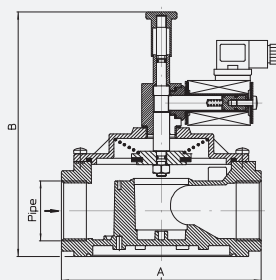


PIPE	DIMENSIONS [mm]		
	A	B	C
G1/2	70	111	113
G3/4	70	111	113
G1	70	111	113

DRAWING 4

PIPE	DIMENSIONS [mm]		
	A	B	C
G1/2	70	111	123
G3/4	70	111	123
G1	70	111	123

DRAWING 3



PIPE	DIMENSIONS [mm]	
	A	B
G1 1/4	160	196
G1 1/2	160	196
G2	160	220

2/2 NO WITH
MANUAL RESET

PIPE	ORIFICE SIZE	COIL TYPE	CONNECTOR TYPE	MAX WORKING PRESSURE [mbar]	CODE		DRAWING REFERENCE
	Ø [mm]				BRASS	ALUMINUM	
G1/2	15	A	A	500	MD01G04A1B015	-	1
		A	A	500	-	MD04G04A1B015	2
G3/4	20	A	A	500	MD01G05A1B020	-	1
		A	A	500	-	MD04G05A1B020	2
G1	25	B*	A - C	500	MD01G06A1B025	-	1
		A	A	500	-	MD04G06A1B025	2
G1 1/4	32	B**	A - C	500	-	MD03G07A1B032	3
G1 1/2	40	B**	A - C	500	-	MD03G08A1B040	3
G2	50	B**	A - C	500	-	MD03G09A1B050	3

2/2 NO WITH MANUAL
RESET AND SECURITY KEY

PIPE	ORIFICE SIZE	COIL TYPE	CONNECTOR TYPE	MAX WORKING PRESSURE [mbar]	CODE		DRAWING REFERENCE
	Ø [mm]				BRASS	ALUMINUM	
G1/2	15	A	A	500	-	MD04G04A2B015	4
G3/4	20	A	A	500	-	MD04G05A2B020	4
G1	25	A	A	500	-	MD04G06A2B025	4

I II III IV V VI VII VIII IX X XI
MDO **1** **G** **04** **A** **1** **B** **015** **-** **A** **01** **A**

CODIFICATION

I. SERIES
MDO - 2/2 NO with manual reset

II. BODY MATERIAL
1 - brass
3 - aluminum (> 1")
4 - aluminum (≤ 1")

III. THREADED CONNECTION TYPE
G - gas

IV. PIPE SIZE
04 - 1/2"
05 - 3/4"
06 - 1"
07 - 1 1/4"
08 - 1 1/2"
09 - 2"

V. VALVE TYPE
A - 2/2 NO

VI. SECURITY KEY
1 - without
2 - with

VII. SEALING MATERIAL
B - NBR

VIII. ORIFICE DIAMETER
015 - 15 mm
020 - 20 mm
025 - 25 mm
032 - 32 mm
040 - 40 mm
050 - 50 mm

IX. COIL TYPE	X. VOLTAGE		XI. CONNECTOR OPTION	POWER [W/VA]
A	01	12 V DC	A	6
	11	12 V - 50/60 Hz	A	4
	21	24 V DC	A	6
	31	24 V - 50/60 Hz	A	4
	61	110 V - 50/60 Hz	A	4
	71	230 V - 50/60 Hz	A	7
	B*	02	12 V DC	A
13		12 V - 50/60 Hz	C	20
22		24 V DC	A	8
33		24 V - 50/60 Hz	A	22
63		110 V - 50/60 Hz	A	21
72		230 V - 50/60 Hz	A	8
B**	03	12 V DC	A	20
	13	12 V - 50/60 Hz	C	20
	23	24 V DC	A	21
	33	24 V - 50/60 Hz	A	22
	63	110 V - 50/60 Hz	A	21
74	230 V - 50/60 Hz	A	23	

XI. CONNECTOR OPTION
A - Standard
C - Rectified (12 V-50/60 Hz - 24 V-50/60 Hz)