

21IZ3 SERIES

Pneumatic valves, Modular valves

- 21IZ3** are pneumatically actuated modular valves that come with:
- optimized flow path on modular body design for high flow rate
 - optimized body design that reduces water hammer effects (below seat versions)
 - corrosion resistant body
 - self positioning plug to ensure the best seal
 - optical position indicator
 - self adjusting stem packing for long service life
 - freely selectable mounting orientation
 - 360° adjustable actuator



TECHNICAL DATA

PIPES	G 1/2 ± 1
ACTUATOR SIZE	ø 50 mm
FLOW DIRECTION	bidirectional
CONTROL TYPE	single acting normally closed and double acting
FLUID TEMPERATURE	-10°C + 180°C
AMBIENT TEMPERATURE	-10°C + 80°C
VISCOSITY	max 600 cSt
PILOT FLUID	air, inert gases
PILOT FLUID TEMPERATURE	MAX +80°C

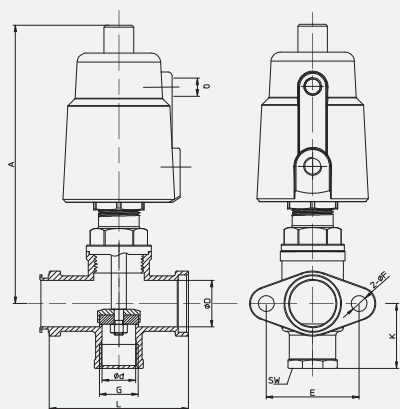
MATERIALS

VALVE BODY	stainless steel AISI 316 or AISI 304
MAIN SEAL	PTFE
STEM PACKING	PTFE, PTFE + CARBON
ACTUATOR HOUSING	stainless steel AISI 304
ACTUATOR GASKETS	FKM

- **CE**
 - 2014/68/EU (PED) up to 1" - art. 4.3
 - 2014/34/EU (ATEX) Available on request.
- Refer to next pages for the complete marking

- Please check the compatibility of the fluids in contact with the materials at RFQ stage.
- For pilot valve please refer to accessories Section of Chapter 2.

Process Valves & Components ■ Pneumatic valves ■ Modular valves ■ **21I23 SERIES**



PIPE	A mm	Ø D mm	Ø d mm	E mm	2-ØF mm	K mm	L mm	Q	SW	WEIGHT kg
1/2"	153	25	18	50	8,5	35	76	1/8"	27	1,2
1"		32	24	57		46	90		39	1,6

2

SIZE	PIPE	ORIFICE SIZE	Kv	Kv	ACTUATOR	ACTUATOR PILOT PRESSURE [bar]		DIFFERENTIAL PRESSURE [bar]		MAX ALLOWABLE PRESSURE [bar]	CODE
		Ø [mm]	[m ³ /h]	[l/min]		Ø [mm]	MIN	MAX	MIN	MAX	
DN15	1/2"	18	6,06	101	50	3	4	0	16	16	21I23DSIATTO15BP
DN25	1"	24	11,1	185	50	3	4,5	0	16	16	21I23DSIATTO25BP

2/2 NC
ABOVE SEAT

SIZE	PIPE	ORIFICE SIZE	Kv	Kv	ACTUATOR	ACTUATOR PILOT PRESSURE [bar]		DIFFERENTIAL PRESSURE [bar]		MAX ALLOWABLE PRESSURE [bar]	CODE
		Ø [mm]	[m ³ /h]	[l/min]		Ø [mm]	MIN	MAX	MIN	MAX	
DN15	1/2"	18	6,06	101	50	4,5	8	0	14	16	21I23DSIATTO15BP
DN25	1"	24	11,1	185	50	4,5	8	0	7,5	16	21I23DSIATTO25BP

2/2 NC
BELOW SEAT

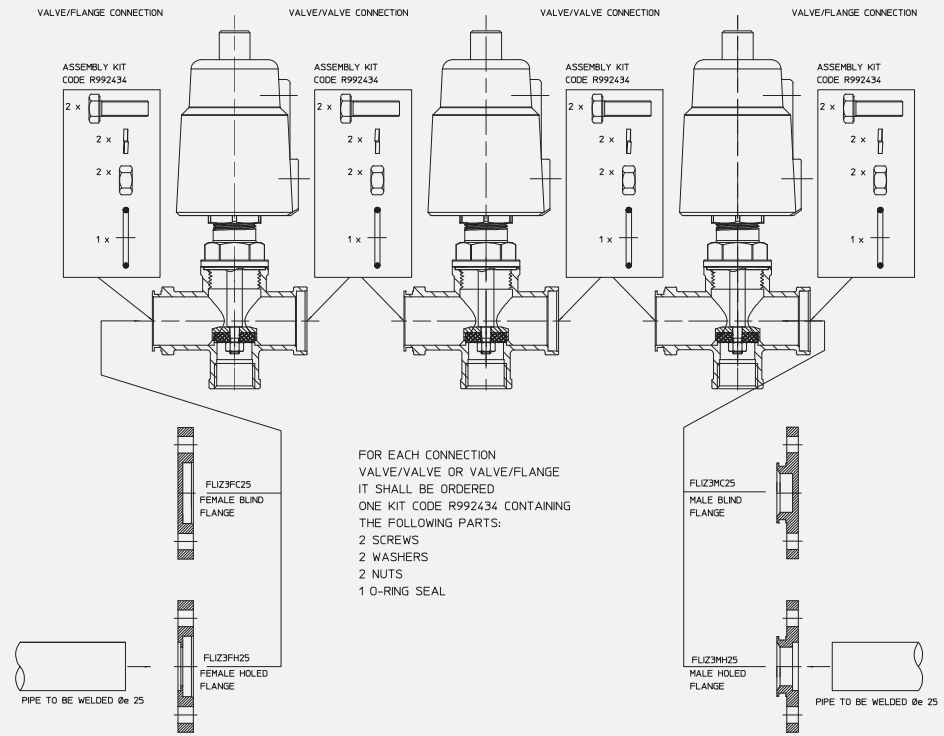
2/2 NC
DOUBLE ACTING
ABOVE SEAT

SIZE	PIPE	ORIFICE SIZE	Kv	Kv	ACTUATOR	ACTUATOR PILOT PRESSURE [bar]		DIFFERENTIAL PRESSURE [bar]		MAX ALLOWABLE PRESSURE [bar]	CODE
		Ø [mm]	[m ³ /h]	[l/min]	Ø [mm]	MIN	MAX	MIN	MAX	PS	
DN15	1/2"	18	6,06	101	50	3	4	0	16	16	21I23DS3ATT015BP
DN25	1"	24	11,1	185	50	3	4,5	0	16	16	21I23DS3ATT025BP

2/2 NC
DOUBLE ACTING
BELOW SEAT

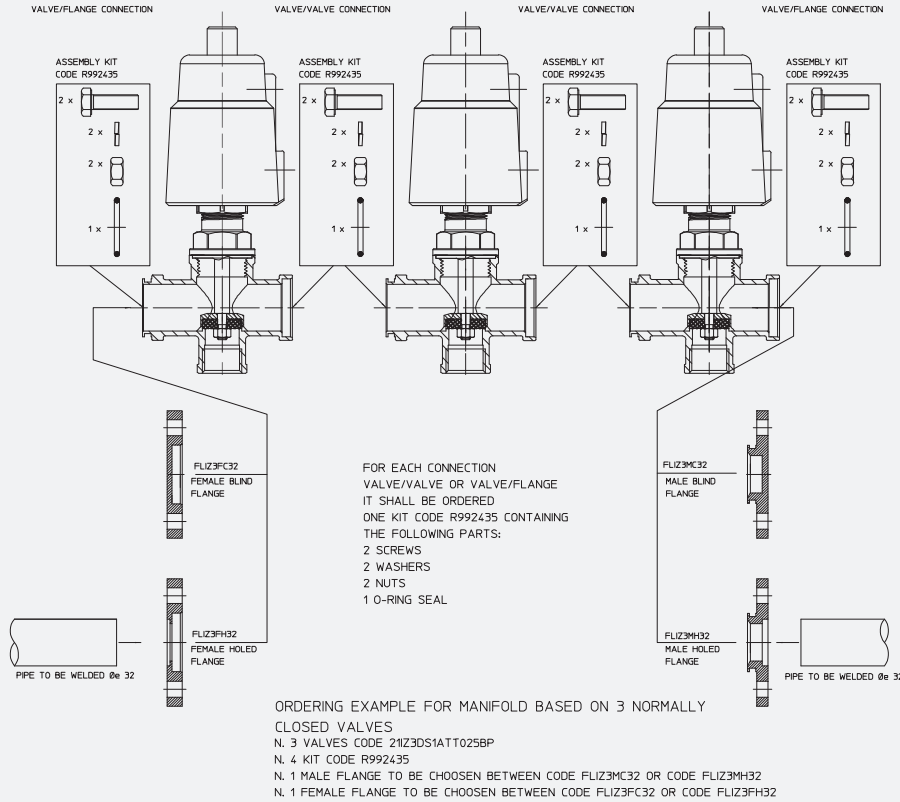
SIZE	PIPE	ORIFICE SIZE	Kv	Kv	ACTUATOR	ACTUATOR PILOT PRESSURE [bar]		DIFFERENTIAL PRESSURE [bar]		MAX ALLOWABLE PRESSURE [bar]	CODE
		Ø [mm]	[m ³ /h]	[l/min]	Ø [mm]	MIN	MAX	MIN	MAX	PS	
DN15	1/2"	18	6,06	101	50	3	8	0	16	16	21I23DS3ATT015BP
DN25	1"	24	11,1	185	50	3	6	0	13	16	21I23DS3ATT025BP

KIT 1 - DN15



ORDERING EXAMPLE FOR MANIFOLD BASED ON 3 NORMALLY CLOSED VALVES
N. 3 VALVES COD. 21I23DS1ATT015BP
N. 4 KIT COD. R992434
N. 1 MALE FLANGE TO BE CHOOSEN BETWEEN COD. FLI23MC25 O COD. FLI23MH25
N. 1 FEMALE FLANGE TO BE CHOOSEN BETWEEN COD. FLI23FC25 O COD. FLI23FH25

- Available on request flanges with G1 (F) thread connections:
KFLI23FB25 - female holed flange
KFLI23MB25 - male holed flange
Kits are comprehensive of nuts, washers, screws, O-Ring seals



KIT 2 - DN25

- Available on request flanges with G1/4 (F) thread connections:
KFLI23FB32 - female holed flange
KFLI23MB32 - male holed flange
Kits are comprehensive of nuts, washers, screws, O-Ring seals

I 21 II IZ3 III DS IV 1 V A VI T VII T VIII 015 IX BP - X

CODIFICATION

I. 2 WAY 1 ELEMENT
II. SERIE
III. ACTUATOR SIZE
DS - 50
IV. PILOT FUNCTION
1 - N.C.
3 - Double effect

V. BODY MATERIAL
A - AISI 316
B - AISI 304
VI. SEATING SEAL
T - PTFE
VII. STEM PACKING
T - PTFE

VIII. NOMINAL SIZE
015 - G=1/2', D=25
025 - G=1, D=32
IX. PROCESS CONNECTIONS
BP - BSP
BT - BSPT
X. OPTIONS
A - ATEX Version
P - Electrical Position Indicator
S - Stroke Limiter

OPTION	VALVE TYPE	ACTUATOR SIZE					NOTES
		40 mm	50 mm	63 mm	90 mm	125 mm	
A	2/2 NC, NO, DE	X	X	X	X	X	
P	2/2 NC, NO, DE	X	X	X	X	X	Available also as stand alone part, please refer to accessories chapter
S	2/2 NC, NO, DE		X	X	X		Available only pre-assembled on the valve

OPTIONS AVAILABILITY



According to Directive 2014/34/EU ATEX

II 2G Ex h IIC T6...T3 Gb
II 2D Ex h IIIC T80°C...T180°C Db
(-10 °C ≤ Tamb ≤ 80 °C)