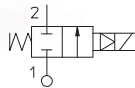


21H SERIES

General Purpose, 2-way, Indirect Acting

21H are indirect acting solenoid valves. The coil is positioned on the centre of the valve for maximum compactness. These valves require a minimum operating pressure of 0,1 bar. Silent closing version available. AC/DC interchangeability of the coil is possible for both NC and NO configurations.



TECHNICAL DATA

PORT CONNECTION	G3/8 to G3/4		
SEALING MATERIALS	NBR	FKM	EPDM
FLUID TEMPERATURE	-10°C +90°C	-10°C +140°C	-10°C +140°C
FLUIDS	Air, inert gas, water	oils, gasoline, diesel	Water, steam
VISCOSITY	max. 12 cSt		
TUBE Ø - COIL WIDTH - SERIES	ø 13 mm - 30 mm	BDA08, BVA08 (CLASS F), BDV08 (CLASS H)	
	ø 13 mm - 36 mm	UDV16 (CLASS H)	
	ø 13 mm - 52 mm	GDV14 (CLASS H)	
INSTALLATION	as required, preferably with actuator upright		
PROTECTION DEGREE	IP65 EN 60529 (DIN 40050) with plug connector		

■ MOPD values are referred to "standard power" coil range. Please refer to coil chapter.

MATERIALS

BODY, ORIFICE	Brass UNI EN 12165 CW617N
ARMATURE TUBE	Stainless steel AISI Series 300
FIXED CORE	Stainless steel AISI Series 400
PLUNGER	Stainless steel AISI Series 400
PHASE DISPLACEMENT RING	Copper (Cu 99,9%) or gold plated copper
SPRING	Stainless steel AISI Series 300
SEALING	B=NBR, V=FKM, E=EPDM

■ **CE**
 - 2014/35/EU (LVD)
 - 2014/30/EU (EMC)
 - 2014/68/EU (PED)
 art. 4.3 up to 1"

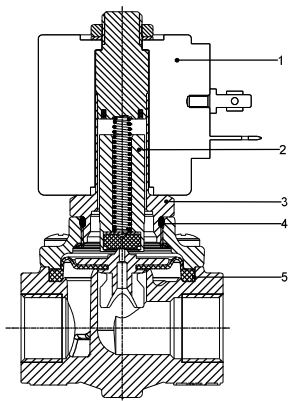
■ **INDUSTRIAL OXYGEN**
 Special versions suitable for contact with industrial oxygen are available. Please refer to codification options.

■ **UL** recognized and **VDE** approved coils are available for this series, please refer to coil section.

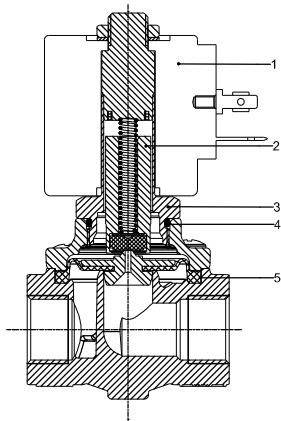
■ **EXPLOSION PROOF COILS**
 suitable for zone 2-22 are available for this series. Please refer to ATEX coil section for further details.

■ The fluids listed in the "technical data" tables should be considered as a recommendation. Please check the chemical compatibility of the fluids with the materials of the valve at RFQ stage.
 ■ Operation with gases at high differential pressure can reduce the life of the diaphragm.
 ■ For spare parts list, please refer to the dedicated chapter.

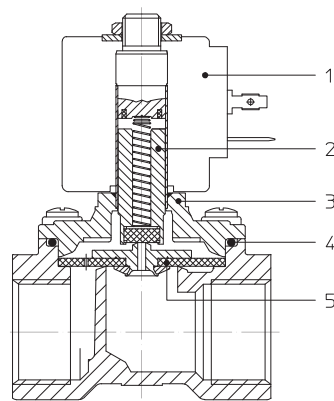
NC, G3/8 TO G1/2



NC, G3/8 TO G1/2
PROGRESSIVE CLOSING

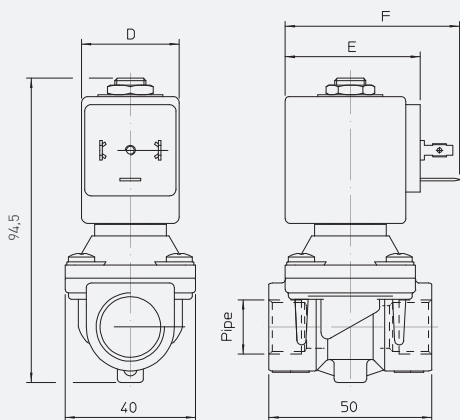


NC, G3/4



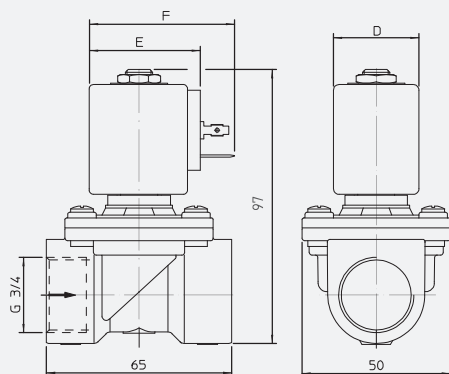
Solenoid Valves ■ General purpose ■ 2-way ■ Indirect Acting ■ 21H SERIES

DRAWING 1



COIL SERIES	DIMENSIONS [mm]		
	D	E	F
B**08	30	42	54
UDV16	36	48	60
GDV14	52	55	67

DRAWING 2



2/2 NC

PIPE ISO 228/1	ORIFICE SIZE Ø [mm]	Kv [l/min]	COIL SERIES	PRESSURE [bar]			CODE		DRAWING REFERENCE	
				MIN	MOPD (LIQUIDS)		PS	BRASS		STAINLESS STEEL
					AC	DC				
G3/8	12	35,0	B**08	0,1	20	10	20	21H7KV120	-	1
			UDV16	0,1	20	20	20	21H7KV120	-	1
			GDV14	0,1	20	20	20	21H7KV120	-	1
G1/2	12	45,0	B**08	0,1	20	10	20	21H8KV120	-	1
			UDV16	0,1	20	20	20	21H8KV120	-	1
			GDV14	0,1	20	20	20	21H8KV120	-	1
G3/4	18	50,0	B**08	0,1	16	3	16	21H9KV180	-	2
			UDV16	0,1	16	10	16	21H9KV180	-	2
			GDV14	0,1	16	16	16	21H9KV180	-	2

■ For sealing different from FKM, replace the letter "V" with the ones corresponding to the other materials.
V=FKM, B = NBR, E = EPDM.

1

CODIFICATION

I	II	III	IV	V	VI	VII	VIII	IX
2	1	H	7	K		B	120	-

I. NUMBER OF WAYS

2 - 2-way

II. NUMBER OF ELEMENTS

1 - 1 element

III. SERIES

H - indirect acting, compact body

IV. CONNECTIONS

7 - G3/8

8 - G1/2

9 - G3/4

V. CORE TUBE TYPE

KR - for 2/2 NC valves, 8 W coil

VI. PHASE DISP. RING MATERIAL

O or blank - copper

VII. SEALING MATERIAL

B - NBR

V - FKM

E - EPDM

VIII. ORIFICE Ø [mm] MULTIPLIED BY 10

IX. OPTIONS

PC - progressive closing

N - nickel plated body

OX - oxygen version

OPTIONS
AVAILABILITY

OPTION	VALVE TYPE	BODY MATERIAL	SEALING MATERIAL	VALVE SIZE/CONNECTIONS			NOTES
				G3/8	G1/2	G3/4	
PC	2/2 NC	Brass	B, V, E	X	X	X	
N	2/2 NC	Brass	B, V, E	X	X	X	
OX	2/2 NC	Brass	V	X	X		PS & MOPD limited to 25 bar. Shall not be used as safety valves.

■ Please contact ODE if you wish to combine more options.

