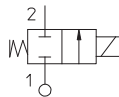
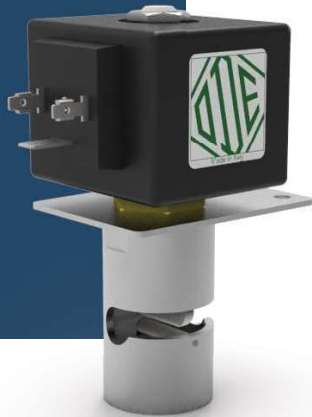


21Z SERIES

General purpose - 2-way - direct acting

21Z Series are NC and NO pinch valves designed for use in a variety of analytical, medical and industrial applications. These valves are suitable for use with highly aggressive or uncontaminable fluids thanks to the hermetic separation of the mechanical parts and the fluid. Different body sizes available depending on tubing diameter.



TECHNICAL DATA

TUBING SIZE	from 6 mm to 12 mm	
RECOMMENDED TUBING MATERIAL	VMQ	
RECOMMENDED TUBING HARDNESS	55 ± 3 ShA	
FLUIDS	Liquid, gases	
TUBE Ø - COIL WIDTH - SERIES	ø 13 mm - 30 mm	BDA08, BVA08 (class F), BDV08 (class H)
	ø 13 mm - 36 mm	UDV16 (class H)
	ø 13 mm - 52 mm	GDV14 (class H), GDH14 (class N)
INSTALLATION	as required, preferably with actuator upright	
PROTECTION DEGREE	IP65 EN 60529 (DIN 40050) with plug connector	

■ MOPD values are referred to "standard power" coil range. Please refer to coil chapter.

MATERIALS

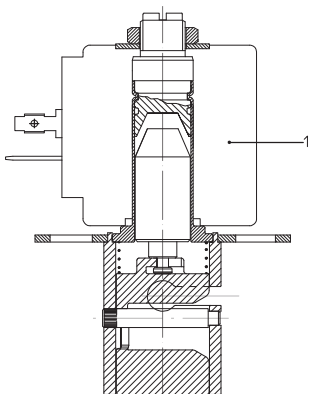
BODY	Anodized Aluminum
ARMATURE TUBE	Stainless steel AISI series 300 + Brass - UNI EN 12165 CW617N
FIXED CORE	Stainless steel AISI Series 400
PLUNGER	Stainless steel AISI Series 400
SPRING	Stainless steel AISI Series 300
PINCHING DEVICE	POM

■ **CE**
- 2014/35/EU (LVD)
- 2014/30/EU (EMC)

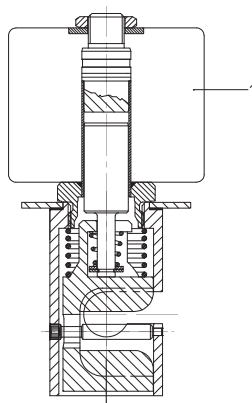
■ **UL** recognized and **VDE** approved coils are available for this series, please refer to coil section.

■ Chemical compatibility between fluid and tubing material shall be assessed with tubing manufacturer.
■ MOPD is for reference only. Please contact tubing manufacturers for maximum working pressure and temperature.

2/2 NC BODY Ø25

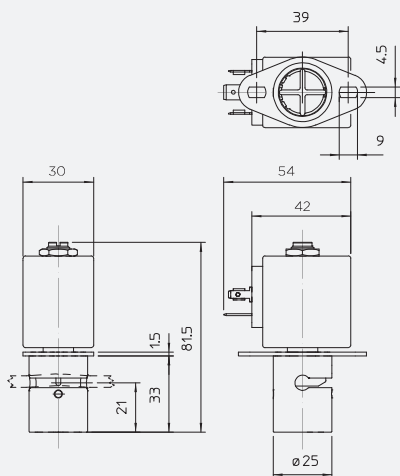


2/2 NC BODY Ø30

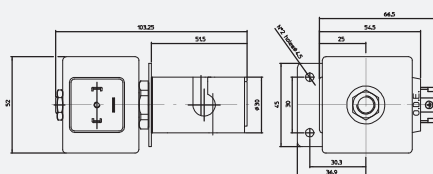


Solenoid valves - General purpose - 2-way - Direct Acting ■ 21Z SERIES

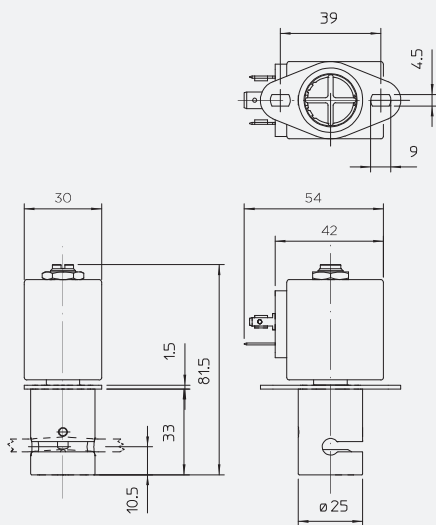
DRAWING 1



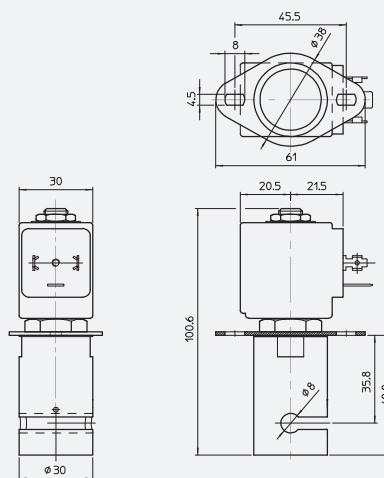
DRAWING 2



DRAWING 3



DRAWING 4



2/2 NC

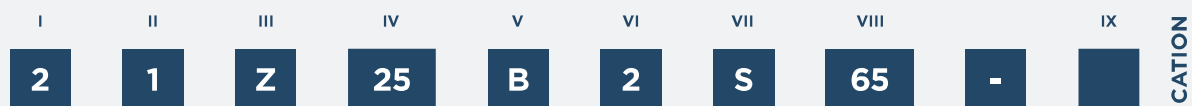
TUBING OD	TUBING ID	MINIMUM THICKNESS	COIL SERIES	PINCHING FORCE	CODE	DRAWING REFERENCE
Ø [mm]	Ø [mm]	[mm]		[kgf]		
6	3,5	1,25	B**08	0,65	21Z25B1S65	1
8	4	2	GD*14	2,6	21Z30G1S70-S	2
10	7	1,5	GDH14	2,6	21Z30G1S98	2
10	7	1,5	GD*14	2,6	21Z30G1S98-S	2
11	8	1,5	GD*14	2,6	21Z30G1S97-S	2
12	7	2,5	GDH14	2,6	21Z30G2S99	2
12	7	2,5	GD*14	2,6	21Z30G2S99-S	2

- 21Z30G2S99-S can be sold in AC version with an electrical connector with full bridge rectifier. Please contact ODE to know the available voltages.
- Other sizing available on request. Please contact ODE.

2/2 NO

TUBING OD	TUBING ID	MINIMUM THICKNESS	COIL SERIES	PINCHING FORCE	CODE	DRAWING REFERENCE
Ø [mm]	Ø [mm]	[mm]		[kgf]		
6	3,5	1,25	B**08	1,5	21Z25B2S65	3
7,94	4,76	1,6	B**08	1,6	21Z30B2S75-C	4

- Other sizing available on request. Please contact ODE.



I. NUMBER OF WAYS

2 - 2 - way

II. NUMBER OF ELEMENTS

1 - 1 element

III. SERIES AND CONNECTIONS

Z - pinch valves

IV. BODY DIAMETER [mm]

V. COIL TYPE

B - BDA, BVA, BDV Series

U - UDV Series

G - GDV, GDH Series

VI. VALVE TYPE

1 - 2/2 NC

2 - 2/2 NO

VII. TUBING MATERIAL

S - VMQ

VIII. TUBING SIZE CODE

IX. VERSIONS

S - reduced stroke

C - special mounting bracket type C