



**7**

**PUMPS**



## ROTARY VANE PUMP

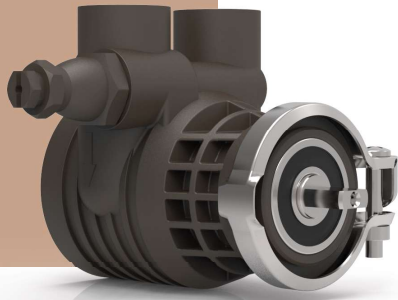
MOCAREEL

257

# MOCAREEL

## Rotary Vane Pumps

Rotary Vane Pump, made of technopolymer PPS, with stainless steel inserts and equipped with a bypass valve. The use of PPS guarantees food certification and compliance with the European Regulation no. 1935/2004 and the NSF169 standard.



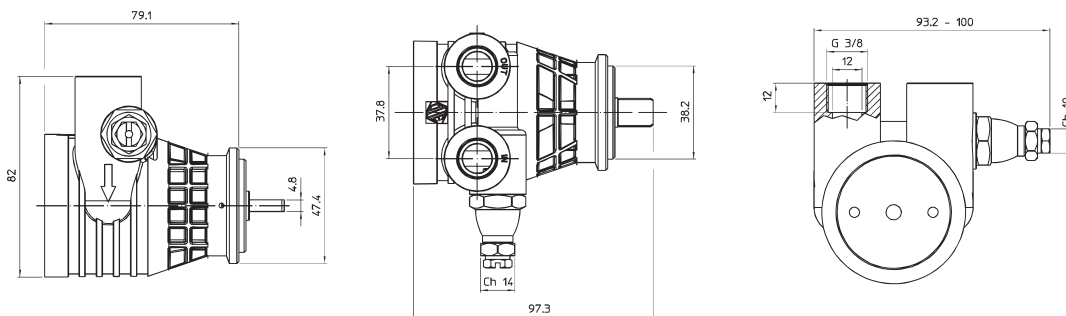
### TECHNICAL DATA

OUTLET	G3/8 - 3/8 NPT (on request)
FLUIDS	Water and food fluids
MAX AMBIENT TEMPERATURE	70°C
MAX FLUID TEMPERATURE	70°C
DEAD HEAD PRESSURE	See graphich
FREE FLOW RATE	See graphich
LIMIT SPEED ROTATION	1720 rpm
LIFE	5000 hours

### MATERIALS

BODY	PPS
PUMPING CHAMBER	Graphite
ROTOR	Stainless Steel series 300
SPRING	Stainless Steel series 300
SEALS	EPDM/FKM
SEAL SHAFT SEAL	PTFE + Graphite/Ceramic

CODE	l/h [16 bar]	GRAPHIC	WEIGHT [g]
PR100PE3G0900-TO	100	A	510
PR150PE3G0900-TO	150	B	
PR200PE3G0900-TO	200	C	
PR300PE3G0900-TO	270	D	



Pumps ■ Rotary Vane Pumps ■ Mocareel

