

FIL100 SERIES

"Y" Filters

FIL100 are compact design, easily maintainable filter elements with stainless steel body and several filtration options available.



TECHNICAL DATA

NOMINAL SIZE	DN8 ÷ DN80
FLUID TEMPERATURE	-10°C + 220°C
AMBIENT TEMPERATURE	-10°C + 80°C
NOMINAL PRESSURE	PN55
MESH SIZE	see codification table

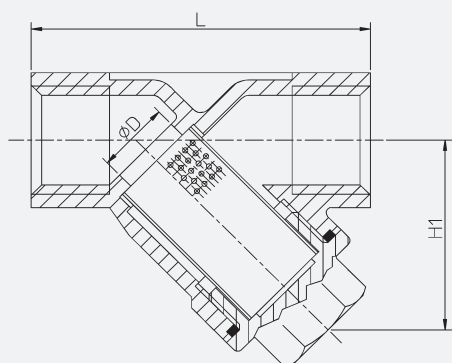
MATERIALS

BODY	stainless steel AISI 316
FILTER ELEMENT	stainless steel AISI 304
GASKET	PTFE

- **CE**
- 2014/68/EU (PED)
up to 1" - art. 4.3
above 1" up to 2" - cat. I module A (use only with gases of Group 2 or liquids)
above 2" - art. 4.3 (use only with liquids of Group 2)

▪ Please check the compatibility of the fluids in contact with the materials at RFQ stage.

Process Valves & Components ■ “Y” Filters ■ **FIL100 SERIES**



PIPE	Ø D	H1	L	WEIGHT Kg
1/4	14	37	65	0,27
3/8	14	37	65	0,25
1/2	14	37	65	0,23
3/4	20	45	80	0,36
1	25	54	90	0,62
1 1/4	32	59	105	0,91
1 1/2	40	66	120	1,22
2	50	77	138	1,93
3	80	118	210	6,80

2

I
II
III
IV
V
VI

FIL100
B
BP
A
B
A

- I. SERIE**
II. PIPE
 B - 1/4"
 C - 3/8"
 D - 1/2"
 E - 3/4"
 F - 1"
 G - 1 1/4"
 H - 1 1/2"
 I - 2"
 L - 3"

- III. PROCESS CONNECTION**
 BP - BSP
 BT - BSPT
 NT - NPT
IV. BODY MATERIAL
 A - AISI 316
V. FILTER ELEMENT MATERIAL
 B - AISI 304

- VI. MESH SIZE**
 A - Size 20 Perforated
 B - Size 20 Wired
 C - Size 30 Wired
 D - Size 80 Wired
 E - Size 100 Wired

CODIFICATION