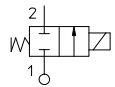
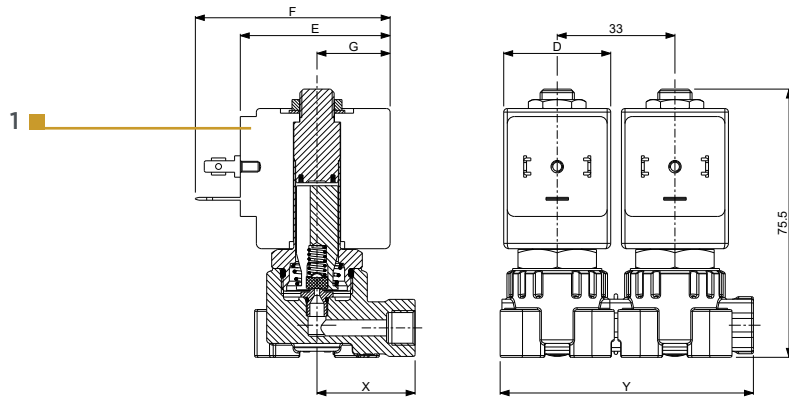




## AM series

Solenoid valve 2/2 way N.C.





| Coil type | Dimensions [mm] |    |    |      |
|-----------|-----------------|----|----|------|
|           | D               | E  | F  | G    |
| B         | 30              | 42 | 54 | 20,5 |

| Connections        | X [mm] | Y [mm] |
|--------------------|--------|--------|
| G 1/8 female       | 27,5   | 71     |
| Hose connection Ø6 | 27,5   | 74,5   |

| Extension code description |
|----------------------------|
| -T0 With NSF certification |

| Gaskets | Temperature °C |         |
|---------|----------------|---------|
| V= FKM  | -10 °C         | +140 °C |

For left inlet replace the letter "A" with "B".  
Ex. G2MB2VXXXX

| Materials               |  |
|-------------------------|--|
| Body                    | PPS  |
| Armature tube           | Stainless steel AISI series 300                    |
| Fixed core              | Stainless steel AISI series 400                    |
| Plunger                 | Stainless steel AISI series 400                    |
| Phase displacement ring | Gold plated copper                                 |
| Spring                  | Stainless steel AISI series 300                    |
| Shutter                 | V=FKM  |
| Orifice                 | Stainless steel AISI series 300<br>On request: PPS |
| On request:             |  |
| Connector               | Pg 9 o Pg 11                                       |
| Connector conformity    | ISO 4400   |

| Spare parts |                |
|-------------|----------------|
| 1. Coil     | See coils list |

| Pipe               | Ø [mm] | Kv [l/min] | Max. viscosity cSt (°E) | Min. pressure | MOPD      |    | GAS code   | NPT code |
|--------------------|--------|------------|-------------------------|---------------|-----------|----|------------|----------|
|                    |        |            |                         |               | Coil type |    |            |          |
|                    |        |            |                         |               | AC        | DC |            |          |
| G 1/8 female       | 1,5    | 1          | 12 (2)                  | 0             | L         | L  | G2MB2VXXXX | -        |
|                    | 2      | 1,8        | 37 (5)                  |               | L         | L  | G2MB2VXXXX | -        |
|                    | 2,5    | 2,5        | 53 (7)                  |               | L         | L  | G2MB2VXXXX | -        |
|                    | 3      | 3          | 53 (7)                  |               | L         | L  | G2MB2VXXXX | -        |
| Hose connection Ø6 | 1,5    | 1          | 12 (2)                  |               | L         | L  | G2MB3VXXXX | -        |
|                    | 2      | 1,8        | 37 (5)                  |               | L         | L  | G2MB3VXXXX | -        |
|                    | 2,5    | 2,5        | 53 (7)                  |               | L         | L  | G2MB3VXXXX | -        |
|                    | 3      | 3          | 53 (7)                  |               | L         | L  | G2MB3VXXXX | -        |

## AM series

### Solenoid valve 2/2 way N.C.

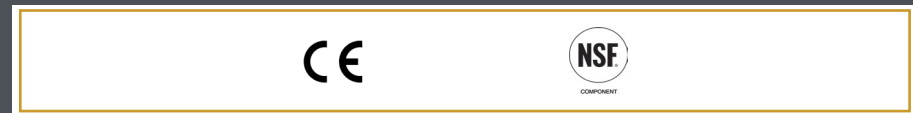
Direct acting S.V. for interception of fluids compatible with the construction materials. Minimum operational pressure is not required.

**Ambient T°:** see coils catalogue page for its compatibility.

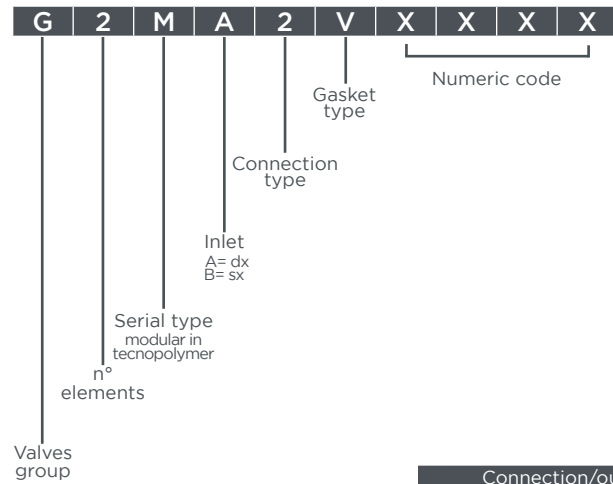
**Protection degree:** IP 65 EN 60529 (DIN 40050) with coil fitted by connector.

**Max. allowable pressure (PS):** 16 bar

**Note**  
Max torque for fittings 2Nm max, coil nut assembly 2Nm max; armature tube 4Nm max | Use the seal fittings compatible with the body material | Don't mount the groups with 1 or more elements cantilevered | For application with steam or for others seals, please contact our Technical Service | Available with Ex nA coil | The use of rigid seals (ruby or PTFE) can have a slight leakage normally contained within 2 cc / min at a pressure of 1 bar.



It is possible to connect the AM series with the JM series elements to make the desired valve group.



| Connection/outlet code |                    |
|------------------------|--------------------|
| 2                      | G 1/8 female       |
| 3                      | Hose connection Ø6 |

**Description/example**

G= Valves group  
 2= n° 2 elements  
 M= modular tecnopolymer series  
 A= set S.V. with right inlet  
 2= inlet G 1/8 female  
 V= FKM seal  
 XXXX= numeric code

