



Pressure transducer

UL CSA Certified Recognized and Listed

PT Series

DESCRIPTION:

The pressure transducer generates an electrical output signal proportional to the inlet pressure. The ceramic sensor detects the pressure of the most common fluids: air, water, gas, steam and aggressive media. When the temperature changes, the integrated digital electronic provides an offset and span correction and also an aging detection and compensation. This technology guarantees good precision and long term stability. The pressure transducer meets the requirements of Electromagnetic Compatibility EMI.

Due to the special O-Ring seal, specially developed for this type of product, can be assembled on the majority of existing fittings (* see drawing next page).

APPLICATION:

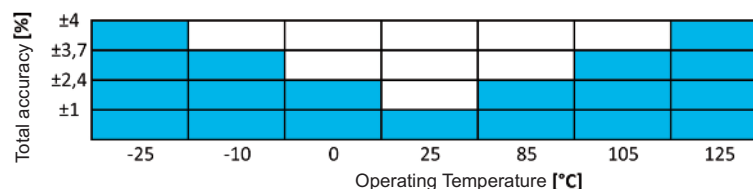
- Industrial pressure monitoring in industrial applications
- Medical
- Dosing system
- Vending
- Packaging
- Chemistry
- Food



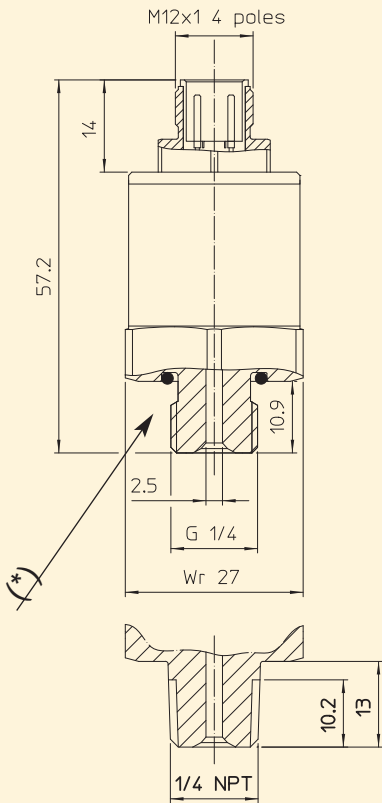
Gaskets	Temperature	Medium
V=FKM (fluoroelastomer)	- 10°C +140°C	Mineral oils (2°E), gasoline, gas oil, fuel oils (7°E)
B=NBR (nitrile rubber)	- 10°C + 90°C	Air, inert gas, water

Pipe	Code (Recognized version)	Pressure range [bar]	Supply Voltage [V]	Output range	Overload pressure [bar] PS	Burst pressure [bar]
G 1/4	PT001RG02V1000	0~1	12-35	0-10V	2	3
G 1/4	PT002RG02V0000	0~2	9-35	4-20 mA	4	8
G 1/4	PT002RG02V2000	0~2	5	0,5~4,5V	4	8
G 1/4	PT005RG02V0000	0~5	9-35	4-20 mA	10	20
G 1/4	PT010RG02V0000	0~10	9-35	4-20 mA	20	35
G 1/4	PT010RG02V1000	0~10	12-35	0~10 V	20	35
G 1/4	PT016RG02V0000	0~16	9-35	4-20 mA	40	60
1/4 NPT	PT020RN02V0000	0~20	9-35	4-20 mA	40	60
G 1/4	PT020RG02V0000	0~20	9-35	4-20 mA	40	60
G 1/4	PT020RG02V1000	0~20	12-35	0~10 V	40	60
G 1/4	PT020RG02V2000	0~20	5	0,5~4,5V	40	60
G 1/4	PT050RG02V0000	0~50	9-35	4-20 mA	100	140
G 1/4	PT050RG02V1000	0~50	12-35	0~10 V	100	140
G 1/4	PT100RG02V0000	0~100	9-35	4-20 mA	150	300
G 1/4	PT100RG02V1000	0~100	12-35	0~10 V	150	300
G 1/4	PT200RG02V0000	0~200	9-35	4-20 mA	300	400
G 1/4	PT400RG02V0000	0~400	9-35	4-20 mA	500	650

For UL CSA Listed, please see key code.



The "ODE" reserves the right to carry out technical and aesthetic modifications without prior notice.



MATERIALS:

Connection fitting: AISI 316L
 O-Ring seal: Standard: V=FKM
 On request B=NBR
 Ceramic sensor: Al₂O₃ 96%

TECHNICAL DETAILS:

Environmental protection: IP67
 Response time: ≤ 5 ms

ACCESSORIES:

(Only for Transducer Recognized)

Connector M12 4 pole female, 3 wires (order separately).

P992268/1000 straight 1 m
 P992268/3000 straight 3 m
 P992268/5000 straight 5 m

P992269/1000 90° 1 m
 P992269/3000 90° 3 m
 P992269/5000 90° 5 m
 Other length on request.

PRESSURE TRANSDUCER CODE

PT 010RG01V1000

DIGITS FOR SPECIAL PRESSURE SETUP

OUTPUT

- 0** 4-20 mA
- 1** 0-10 V
- 2** Ratiometric 0,5-4,5V

SEALING MATERIALS

- B** NBR
- V** FKM

UL APPROVAL

- 0** UL Recognized
- A** UL Listed with connector 1 m, straight
- B** UL Listed with connector 1 m, 90°
- C** UL Listed with connector 3 m, straight
- D** UL Listed with connector 3 m, 90°
- E** UL Listed with connector 5 m, straight
- F** UL Listed with connector 5 m, 90°

PRESSURE RANGE

- 001** 1 bar
- 002** 2 bar
- 005** 5 bar
- 010** 10 bar
- 020** 20 bar
- 050** 50 bar
- 100** 100 bar
- 200** 200 bar
- 400** 400 bar

MEASURE TYPE

- A** ABSOLUTE
- R** RELATIVE

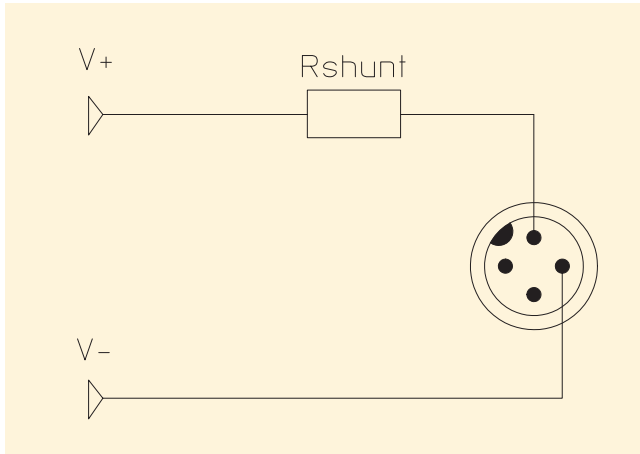
PIPE INITIALS

- G** GAS
- N** NPT
- 01** 1/8
- 02** 1/4
- 03** 3/8
- 04** 1/2

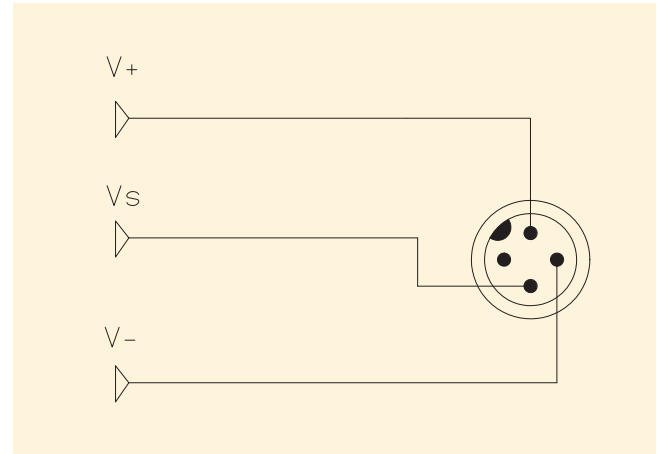
SERIES PRESSURE TRANSDUCER



CONNECTION DIAGRAM



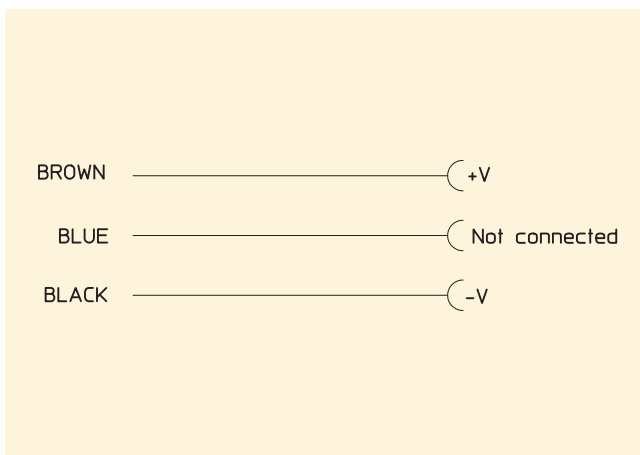
Version 4-20 mA



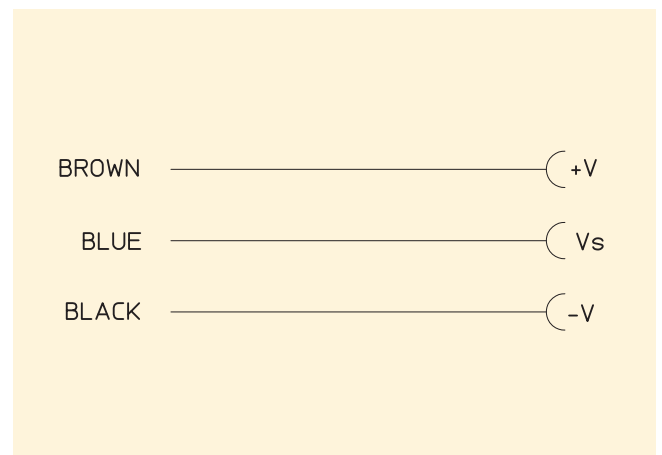
Version 0-10V and raziometric

ODE CABLES CONNECTION DIAGRAM

 (only for ODE cables connection)



Version 4-20 mA



Version 0-10V and ratiometric

Meaning of symbols

- V+ = Positive pole of the supply voltage
- V- = Negative pole of the supply voltage, and the output signal
- Vs = Positive pole of the output signal
- Rshunt = Resistance amperometric