



# Pressure transducer with a connector base EN175301-803

PT Series

## DESCRIPTION:

The pressure transducer generates an electrical output signal proportional to the inlet pressure. The ceramic sensor detects the pressure of the most common fluids: air, water, gas, steam and aggressive media. When the temperature changes, the integrated digital electronic provides an offset and span correction and also an aging detection and compensation. This technology guarantees good precision and long term stability. The pressure transducer meets the requirements of Electromagnetic Compatibility EMI.

Due to the special O-Ring seal, specially developed for this type of product, can be assembled on the majority of existing fittings (\* see drawing next page).

## APPLICATION:

- Industrial pressure monitoring in industrial applications
- Medical
- Dosing system
- Vending
- Packaging
- Chemistry
- Food



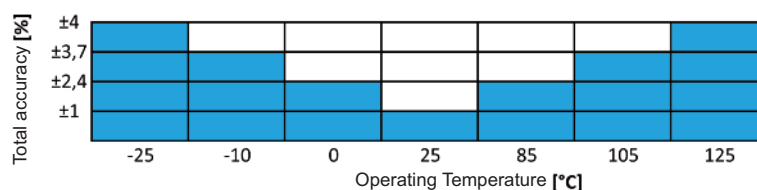
Gaskets	Temperature		Medium
V=FKM (fluoroelastomer)	- 10°C	+140°C	Mineral oils (2°E), gasoline, gas oil, fuel oils (7°E)
B=NBR (nitrile rubber)	- 10°C	+ 90°C	Air, inert gas, water

For seals other than FKM replace the letter "V" with the ones corresponding to the other seals.

(For the seals available see the table beside)

E.I. PT002RG02B0Z00.

Pipe	Code	Pressure range [bar]	Supply Voltage [V]	Output range	Overload pressure [bar] PS	Burst pressure [bar]
G 1/4	PT001RG02V1Z00	0~1	12-35	0-10V	2	3
G 1/4	PT002RG02V0Z00	0~2	9-35	4-20 mA	4	8
G 1/4	PT002RG02V2Z00	0~2	5	0,5~4,5 V	4	8
G 1/4	PT005RG02V0Z00	0~5	9-35	4-20 mA	10	20
G 1/4	PT010RG02V0Z00	0~10	9-35	4-20 mA	20	35
G 1/4	PT010RG02V1Z00	0~10	12-35	0~10 V	20	35
G 1/4	PT016RG02V0Z00	0~16	9-35	4-20 mA	40	60
1/4 NPT	PT020RN02V0Z00	0~20	9-35	4-20 mA	40	60
G 1/4	PT020RG02V0Z00	0~20	9-35	4-20 mA	40	60
G 1/4	PT020RG02V1Z00	0~20	12-35	0~10 V	40	60
G 1/4	PT020RG02V2Z00	0~20	5	0,5~4,5 V	40	60
G 1/4	PT050RG02V0Z00	0~50	9-35	4-20 mA	100	140
G 1/4	PT050RG02V1Z00	0~50	12-35	0~10 V	100	140
G 1/4	PT100RG02V0Z00	0~100	9-35	4-20 mA	100	300
G 1/4	PT100RG02V1Z00	0~100	12-35	0~10 V	150	300
G 1/4	PT200RG02V0Z00	0~200	9-35	4-20 mA	300	400
G 1/4	PT400RG02V0Z00	0~400	9-35	4-20 mA	500	650



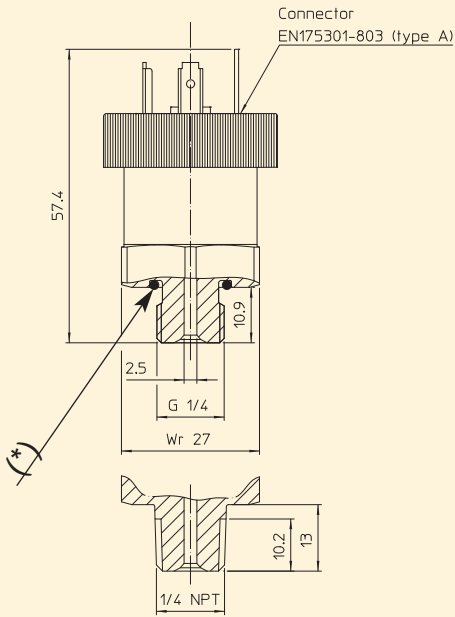
The "ODE" reserves the right to carry out technical and aesthetic modifications without prior notice.

**MATERIALS:**

Connection fitting: AISI 316L  
 O-Ring seal: Standard: V=FKM  
 On request B=NBR  
 Ceramic sensor: Al<sub>2</sub>O<sub>3</sub> 96%

**TECHNICAL DETAILS:**

Environmental protection: IP65  
 Response time: ≤ 5 ms



**PRESSURE TRANSDUCER CODE**

**PT 002 R G 02 V 0 Z 0 0**

**DIGITS FOR SPECIAL PRESSURE SETUP**

**OUTPUT**

- 0** 4-20 mA
- 1** 0-10 V
- 2** Ratiometric 0,5-4,5V

**Z** Connector base  
 EN 175301-803 (type A)

**SEALING MATERIALS**

- B** NBR
- V** FKM

**PRESSURE RANGE**

- 001** 1 bar
- 002** 2 bar
- 005** 5 bar
- 010** 10 bar
- 020** 20 bar
- 050** 50 bar
- 100** 100 bar
- 200** 200 bar
- 400** 400 bar

**MEASURE TYPE**

- A** ABSOLUTE
- R** RELATIVE

**PIPE INITIALS**

- G** GAS
- N** NPT
- 01** 1/8
- 02** 1/4
- 03** 3/8
- 04** 1/2

**SERIES PRESSURE TRANSDUCER**