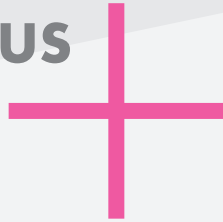


AIR GUNS
UGPT-7
COMB BLOW
COMPRESSED AIR


PLUS



p. 586 / **UGPT-7**






 from 0 to 77°C

 7 Bar

 Compressed air

 Male taper gas BSPT R1/4"

 ABS Plastic

 **REACH**
Products in compliance with the directive 2002/95/EC

RoHS2

Products in compliance with the directive 2011/65/EU

FEATURES

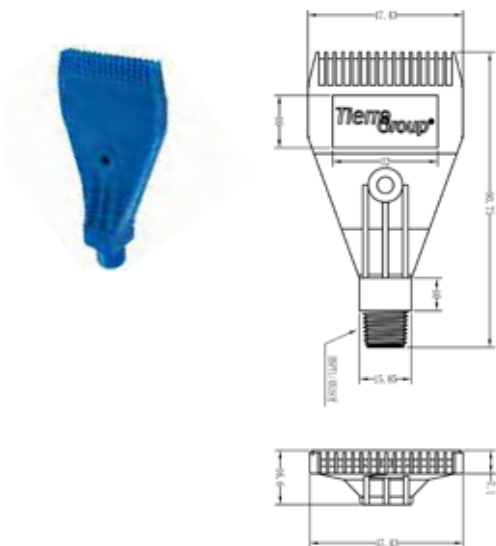
Generate efficient, controlled flat fan air pattern for a uniform spray distribution. Recessed orifices protect against external damage and offer air escape should the nozzles accidentally be placed against a flat surface. Low noise levels.

BLOWING FORCE AT 6 BAR

300 gr.

UGPT-7

Comb blow compressed air



| CODE | T | FLOW RATE - CAPACITY | | | |
|--------|-------|----------------------|---------------|---------------|---------------|
| | | 0,7 Bar (10psi) | 2 Bar (30psi) | 4 Bar (60psi) | 6 Bar (90psi) |
| UGPT-7 | R1/4" | 193 (6,8) | 357 (12,8) | 586 (21,3) | 816 (29,6) |

