

ACCESSORIES

TANKS

PLUS

AVAILABLE ON DEMAND IN STAINLESS
STEEL AISI 316

AVAILABLE ON DEMAND ON
CUSTOMER'S DRAWING





p. 380 / **SB304TR**

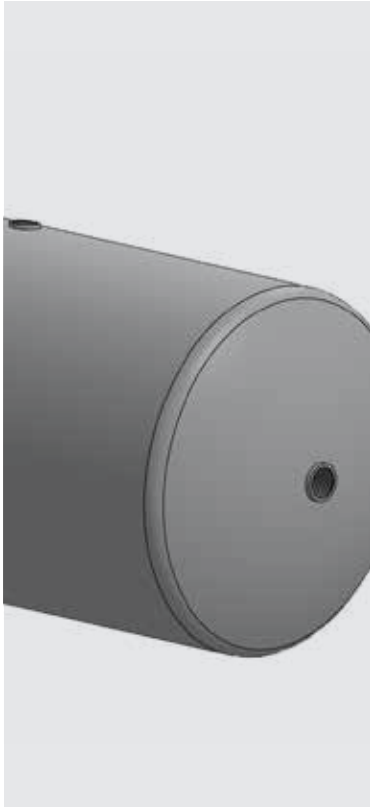



p. 380 / **SB304TR-STL**




p. 380 / **SB304TR-STC**






 -40°C ÷ +100°C

 Up to 10 Bar

 Compressed air

 Parallel gas BSPP
ISO 228 G1/2" and G1"

 Stainless steel AISI 304
with pickling treatment

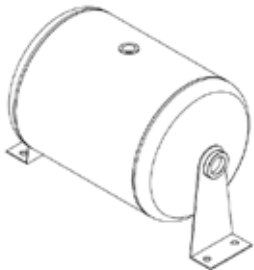
Available on demand in stainless steel AISI 316,
with electropolishing, de-greased.

  REACH
Products in compliance with
the directive 2002/95/EC

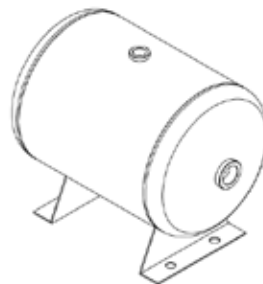
RoHS2

Products in compliance with
the directive 2011/65/EU

TANK STL: Bracketed provided separately

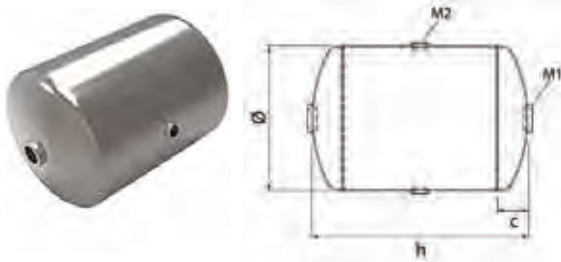


TANK STC: Bracket already mounted



SB304TR

Stainless steel AISI 304 tank

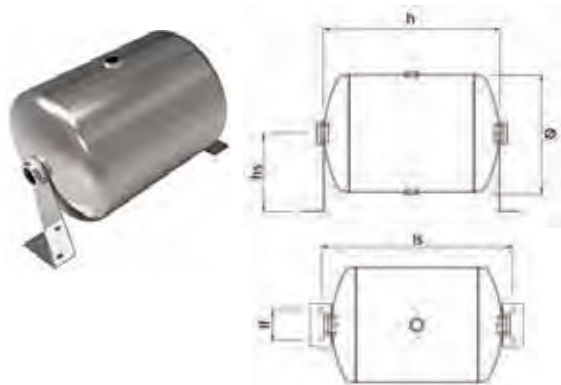


CODE	Ø	H	VOLUME	C	M1 *	M2	KG
SB304TR130175-DP	130	175	2	87,5	2X1/2"	1X1/4"	1,00
SB304TR150350-DP	150	350	5,5	45	2X1/2"	2X1/4"	2,20
SB304TR170560-DP	170	560	12	50	2X1/2"	2X1/4"	3,80
SB304TR220540-DP	220	540	19	60	2X1/2"	2X1/4"	4,85

*a welded sleeve in the middle of the cap

SB304TR-STL

Stainless steel AISI 304 with L-brackets tank

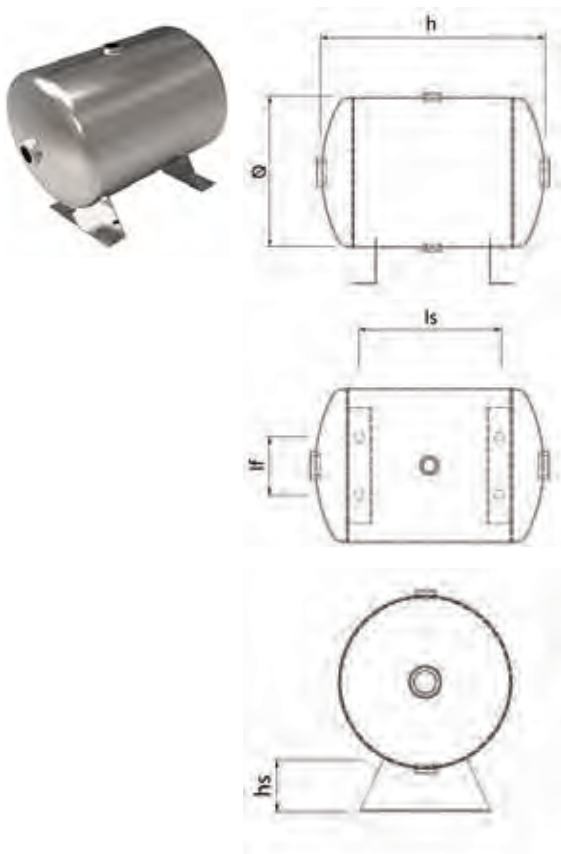


CODE	Ø	H	VOLUME	IF*	IS
SB304TR130175-STL-DP	130	175	2	40	2X15MM
SB304TR150350-STL-DP	150	350	5,5	40	2X15MM
SB304TR170560-STL-DP	170	560	12	40	2X15MM
SB304TR220540-STL-DP	220	540	19	40	2X15MM

*the brackets are supplied with two fittings (conical reducers M1/4 - F1/4). Bracket to be mounted.

SB304TR-STC

Stainless steel AISI 304 tank with cradle brackets



CODE	Ø	H	VOLUME	IF*	IS	HS	KG
SB304TR130175-STC-DP	130	175	2	60	60	35	1,00
SB304TR150350-STC-DP	150	350	5,5	60	80	35	2,20
SB304TR170560-STC-DP	170	560	12	60	220	40	3,80
SB304TR220540-STC-DP	220	540	19	80	225	45	4,85

*all the holes have a ring.

