

STANDARD FITTINGS

DISTRIBUTION
MANIFOLDS
INOX AISI 304

PLUS

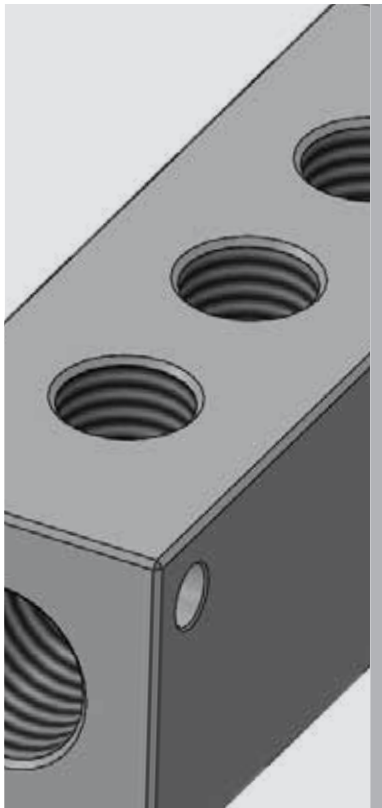
HIGH TEMPERATURE

UP TO 25 BAR



p. 356 / **4150TRX**





Up to 100°C



Up to 25 Bar



Compressed air, water, oil and fluids suitable with construction materials



Inlet thread: parallel gas
BSPP ISO 228 from G1-1/2" to G2"

Outlet thread: taper
BSPT ISO 7 - R3/4"

Gauge thread: parallel gas
BSPP ISO 228 - G1/2"



Stainless steel AISI 304



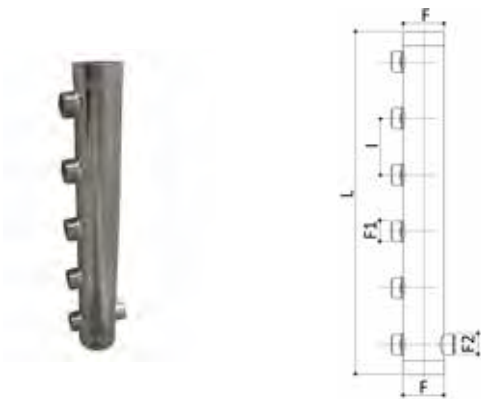
Products in compliance with the directive 2002/95/EC

RoHS2

Products in compliance with the directive 2011/65/EU

4150TRX

Stainless steel Inox AISI 304 distribution manifold



CODE	T	F1	F2	I	L	N° HOLES
4150TRX112344	G1"1/2	R3/4"	G1/2"	70,0	291,0	4
4150TRX112345	G1"1/2	R3/4"	G1/2"	70,0	361,0	5
4150TRX112346	G1"1/2	R3/4"	G1/2"	70,0	431,0	6
4150TRX112347	G1"1/2	R3/4"	G1/2"	70,0	501,0	7
4150TRX112348	G1"1/2	R3/4"	G1/2"	70,0	571,0	8
4150TRX112349	G1"1/2	R3/4"	G1/2"	70,0	641,0	9
4150TRX1123410	G1"1/2	R3/4"	G1/2"	70,0	711,0	10
4150TRX1123411	G1"1/2	R3/4"	G1/2"	70,0	781,0	11
4150TRX1123412	G1"1/2	R3/4"	G1/2"	70,0	851,0	12
4150TRX1123413	G1"1/2	R3/4"	G1/2"	70,0	921,0	13
4150TRX1123414	G1"1/2	R3/4"	G1/2"	70,0	991,0	14
4150TRX2344	G2"	R3/4"	G1/2"	70,0	299,0	4
4150TRX2345	G2"	R3/4"	G1/2"	70,0	369,0	5
4150TRX2346	G2"	R3/4"	G1/2"	70,0	439,0	6
4150TRX2347	G2"	R3/4"	G1/2"	70,0	509,0	7
4150TRX2348	G2"	R3/4"	G1/2"	70,0	579,0	8
4150TRX2349	G2"	R3/4"	G1/2"	70,0	649,0	9
4150TRX23410	G2"	R3/4"	G1/2"	70,0	719,0	10
4150TRX23411	G2"	R3/4"	G1/2"	70,0	789,0	11
4150TRX23412	G2"	R3/4"	G1/2"	70,0	859,0	12
4150TRX23413	G2"	R3/4"	G1/2"	70,0	929,0	13
4150TRX23414	G2"	R3/4"	G1/2"	70,0	999,0	14

