

STANDARD FITTINGS

NYLON

PLUS

COMPLETE RANGE

STRONG AND DURABLE HIGH IMPACT
RESISTANCE

SUITABLE FOR FOOD





p. 329 / **1800**



p. 329 / **1802**



p. 330 / **1810**



p. 330 / **1812**



p. 330 / **1820**



p. 331 / **1825**



p. 331 / **1827**



p. 331 / **1830**



p. 331 / **1832**



p. 332 / **1834**



p. 332 / **1840**



p. 332 / **1850**



p. 332 / **1855**



p. 333 / **1875**



p. 333 / **1800N**



p. 333 / **1802N**



p. 333 / **1810N**



p. 334 / **1812N**



p. 334 / **1820N**



p. 334 / **1825N**



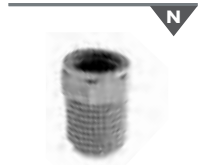
p. 335 / **1827N**



p. 335 / **1830N**



p. 335 / **1832N**

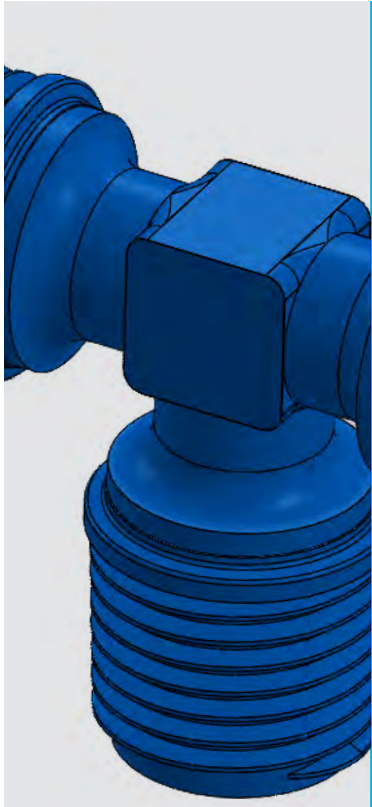


p. 335 / **1840N**



p. 336 / **1850N**





-20°C ÷ +110°C subject to applications



Up to 14 Bar at 20°C



Compressed air, water and food fluids suitable with construction materials



Taper gas BSPT ISO 7 from R1/8" to R3/4" NPT from N1/8" to N3/4"



Nylon 66

PRECAUTIONS

- The products are made in plastic and it's necessary to use teflon coating over the thread for installation in order and to prevent air leakage. Be sure to prevent excessive torque when screwing the fittings.
- To connect the tube, insert the tube to the end and tight the cap before use.
- Cut the pressed part of the tube before connection to reuse the released tube.



Products in compliance with the directive 2002/95/EC

RECOMMENDED TIGHTENING TORQUE

THREAD SIZE	NM	FT LB
1/8	0,1	0,07
1/4	0,8	0,6
3/8	4	3
1/2	6	4
3/4	8	6
1	10	7

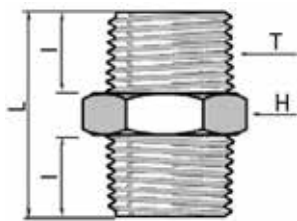
RoHS2

Products in compliance with the directive 2011/65/EU



1800

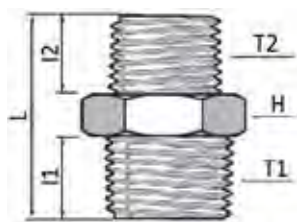
Nipple BSPT thread



CODE	T	L	I	H	GR.
1800TR18	R1/8"	23,0	8,0	14	1,4
1800TR14	R1/4"	27,0	10,0	17	3,5
1800TR38	R3/8"	28,0	10,0	19	4,2
1800TR12	R1/2"	34,0	12,5	22	8,0

1802

Reduced nipple BSPT thread

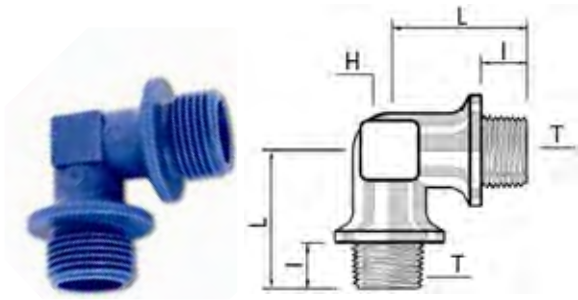


CODE	T1	T2	I1	I2	L	H	GR.
1802TR1418	R1/4"	R1/8"	10,5	8,5	25,0	17	2,5
1802TR3818	R3/8"	R1/8"	10,0	8,0	26,0	19	3,8
1802TR3814	R3/8"	R1/4"	10,0	10,0	28,0	19	4,1
1802TR1214	R1/2"	R1/4"	13,0	10,5	31,5	22	6,7
1802TR1238	R1/2"	R3/8"	13,0	10,5	31,5	22	6,0



1810

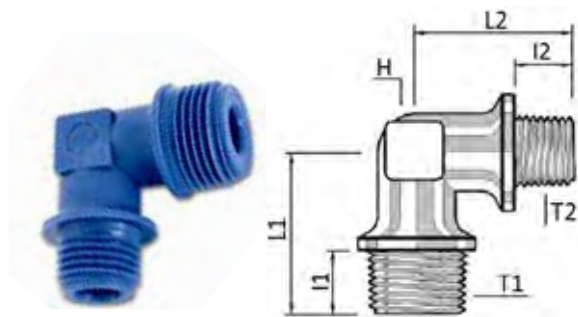
M/M elbow BSPT thread



CODE	T	I	L	H	GR.
1810TR18	R1/8"	8,0	20,0	10	3,0
1810TR14	R1/4"	10,0	22,0	10	4,0
1810TR38	R3/8"	10,0	24,0	14	7,0
1810TR12	R1/2"	12,5	32,0	17	15,0

1812

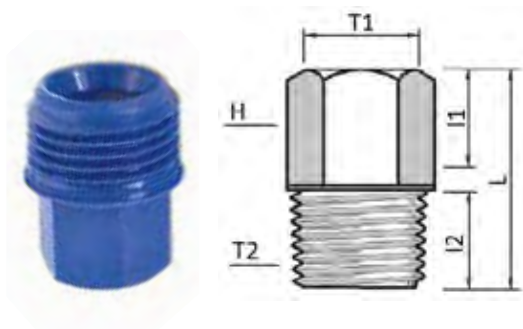
Reduced M/M elbow BSPT thread



CODE	T1	T2	I1	I2	L1	L2	H	GR.
1812TR1418	R1/4"	R1/8"	10,0	8,0	22,0	20,0	12	3,6
1812TR3814	R3/8"	R1/4"	10,0	10,0	24,0	24,0	15	6,5
1812TR1238	R1/2"	R3/8"	12,5	10,0	32,0	29,5	17	13,0

1820

Adapter M/F BSPT thread

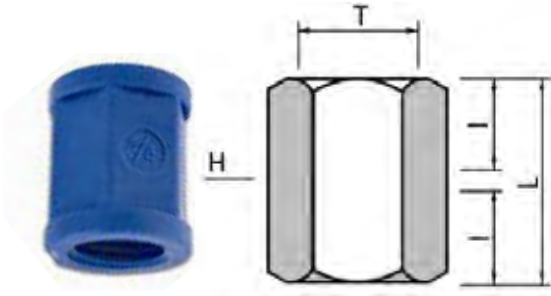


CODE	T1	T2	I1	I2	L	H	GR.
1820TR1818	R1/8"	R1/8"	9,0	8,0	21,5	14	1,0
1820TR1414	R1/4"	R1/4"	10,5	10,0	25,0	17	3,0
1820TR3838	R3/8"	R3/8"	11,0	10,5	26,0	22	5,3
1820TR1212	R1/2"	R1/2"	13,5	13,0	31,0	26	9,0
1820TR1814	R1/8"	R1/4"	10,5	10,0	23,0	14	2,4
1820TR1838	R1/8"	R3/8"	9,0	10,0	24,0	14	2,7
1820TR1812	R1/8"	R1/2"	9,0	12,0	27,0	14	4,1
1820TR1438	R1/4"	R3/8"	10,5	10,0	25,0	17	5,0
1820TR1412	R1/4"	R1/2"	10,5	10,0	27,0	17	4,8
1820TR3812	R3/8"	R1/2"	11,0	13,0	28,0	22	8,0
1820TR1418	R1/4"	R1/8"	10,5	8,0	23,0	17	2,8
1820TR3818	R3/8"	R1/8"	11,0	8,0	23,5	22	4,8
1820TR3814	R3/8"	R1/4"	11,0	10,0	25,0	22	5,1
1820TR1218	R1/2"	R1/8"	13,5	8,0	25,0	26	7,0
1820TR1214	R1/2"	R1/4"	13,5	10,0	26,0	26	7,2
1820TR1238	R1/2"	R3/8"	13,5	10,0	28,0	26	8,0



1825

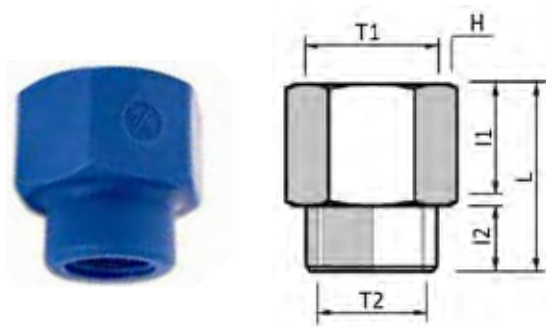
F/F sleeve BSPT thread



CODE	T	I	L	H	GR.
1825TR18	R1/8"	9,0	19,5	14	2,3
1825TR14	R1/4"	11,0	23,0	17	3,7
1825TR38	R3/8"	11,0	24,0	21	5,2
1825TR12	R1/2"	13,5	29,0	26	9,6
1825TR34	R3/4"	18,0	38,0	34	16,8

1827

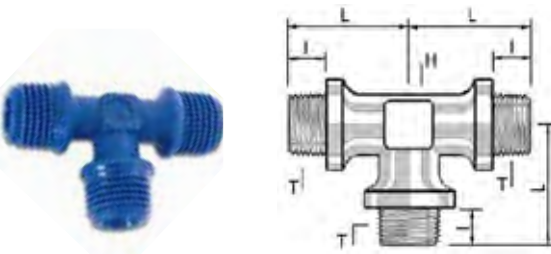
Reduced F/F sleeve BSPT thread



CODE	T1	T2	I1	I2	L	H	GR.
1827TR1418	R1/4"	R1/8"	11,0	9,0	21,5	17	3,2
1827TR3818	R3/8"	R1/8"	11,0	9,0	24,0	21	5,2
1827TR3814	R3/8"	R1/4"	11,0	11,0	24,5	21	6,0
1827TR1214	R1/2"	R1/4"	13,5	11,0	27,0	26	8,0
1827TR1238	R1/2"	R3/8"	13,5	11,0	27,0	26	7,7
1827TR3414	R3/4"	R1/4"	13,5	11,0	27,0	30	11,0
1827TR3412	R3/4"	R1/2"	13,5	11,0	27,0	30	14,5

1830

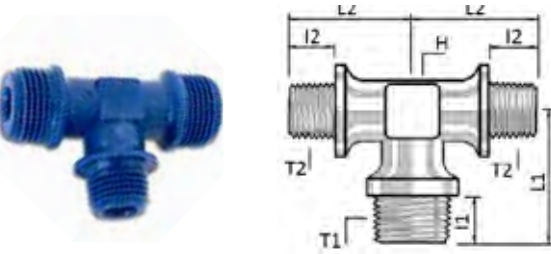
Male tee BSPT thread



CODE	T	I	L	H	GR.
1830TR18	R1/8"	8,0	20,0	12	4,0
1830TR14	R1/4"	10,0	22,0	12	5,0
1830TR38	R3/8"	10,0	25,0	15	10,0
1830TR12	R1/2"	12,5	32,0	17	22,0

1832

Central reduced male tee BSPT thread

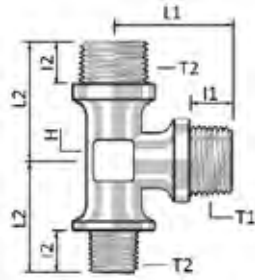


CODE	T1	T2	I1	I2	L1	L2	H	GR.
1832TR1814	R1/8"	R1/4"	8,0	10,0	20,0	22,0	12	4,4
1832TR1438	R1/4"	R3/8"	10,0	10,0	25,0	24,0	15	9,3
1832TR3812	R3/8"	R1/2"	10,0	12,5	29,5	31,0	17	17,3
1832TR1418	R1/4"	R1/8"	10,0	8,0	22,0	20,0	12	5,6
1832TR3814	R3/8"	R1/4"	10,0	10,0	25,0	24,0	15	9,7
1832TR1238	R1/2"	R3/8"	12,5	10,0	32,0	31,0	17	17,0



1834

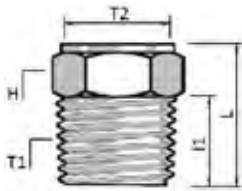
Lateral reduced male tee BSPT thread



CODE	T1	T2	I1	I2	L1	L2	H	GR.
1834TR1814	R1/8"	R1/4"	8,0	10,0	20,0	21,0	12	5,0
1834TR1438	R1/4"	R3/8"	10,0	10,0	24,0	24,0	15	9,5
1834TR3812	R3/8"	R1/2"	10,0	12,5	29,5	31,0	17	19,0
1834TR1418	R1/4"	R1/8"	10,0	8,0	22,0	21,0	12	4,9
1834TR3814	R3/8"	R1/4"	10,0	10,0	24,0	24,0	15	8,8
1834TR1238	R1/2"	R3/8"	12,5	10,0	32,0	31,0	17	17,9

1840

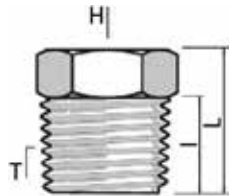
M/F reducer BSPT thread



CODE	T1	T2	I1	L	H	GR.
1840TR1418	R1/4"	R1/8"	10,0	17,5	14	1,5
1840TR3818	R3/8"	R1/8"	10,5	17,5	17	2,7
1840TR3814	R3/8"	R1/4"	10,5	17,5	17	2,1
1840TR1218	R1/2"	R1/8"	12,5	20,5	22	6,0
1840TR1214	R1/2"	R1/4"	12,5	20,5	22	5,5
1840TR1238	R1/2"	R3/8"	12,5	20,5	22	3,8
1840TR3414	R3/4"	R1/4"	13,5	22,5	27	8,9
1840TR3438	R3/4"	R3/8"	13,5	22,5	27	8,1
1840TR3412	R3/4"	R1/2"	13,5	22,5	27	7,0

1850

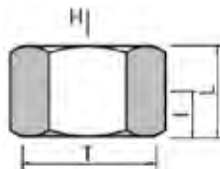
M plug BSPT thread



CODE	T	I	L	H	GR.
1850TR18	R1/8"	9,0	14,0	12	1,0
1850TR14	R1/4"	10,5	16,0	15	2,0
1850TR38	R3/8"	10,5	16,0	17	3,0
1850TR12	R1/2"	12,5	20,0	22	5,0
1850TR34	R3/4"	15,0	22,0	30	8,0
1850TR1	R1"	20,0	27,0	36	-

1855

Female plug BSPT thread



CODE	T	I	L	H	GR.
1855TR18	R1/8"	9,0	15,0	13	1,1
1855TR14	R1/4"	10,0	16,0	16	1,2
1855TR38	R3/8"	11,0	14,0	20	2,7
1855TR12	R1/2"	13,5	20,5	25	4,3
1855TR34	R3/4"	14,0	19,5	30	6,2



1875

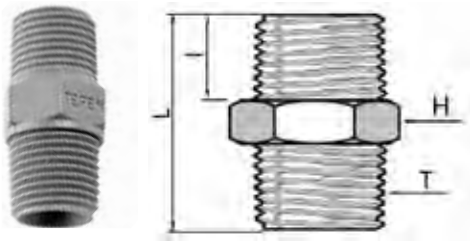
Nut BSPT thread



CODE	T	S	H	GR.
1875TR14	R1/4"	35,0	15,0	0,8
1875TR12	R1/2"	110,0	25,5	3,0

1800N

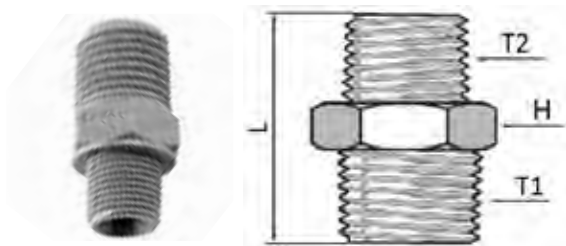
Nipple NPT



CODE	T	H	L	GR.
1800TRN18	N1/8"	11	23,9	1,4
1800TRN14	N1/4"	14	32,7	2,79
1800TRN38	N3/8"	17	34,4	4,85
1800TRN12	N1/2"	22	43,3	8,75
1800TRN34	N3/4"	27	44,4	12,44

1802N

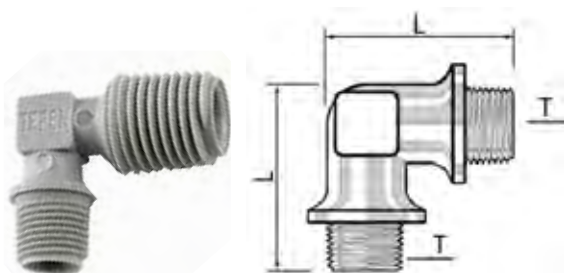
Reduced nipple NPT thread



CODE	T1	T2	H	L	GR.
1802TRN1418	N1/4"	N1/8"	14	28,4	2,3
1802TRN3818	N3/8"	N1/8"	17	29,6	3,8
1802TRN1218	N1/2"	N1/8"	22	34,9	6,4
1802TRN3418	N3/4"	N1/8"	27	35,4	9,1
1802TRN3814	N3/8"	N1/4"	17	33,4	4,17
1802TRN1214	N1/2"	N1/4"	22	38,7	6,9
1802TRN3414	N3/4"	N1/4"	27	39,4	9,5
1802TRN1238	N1/2"	N3/8"	22	39,1	7,6
1802TRN3438	N3/4"	N3/8"	27	39,6	10,2
1802TRN3412	N3/4"	N1/2"	27	44,1	11,4

1810N

M/M elbow NPT thread

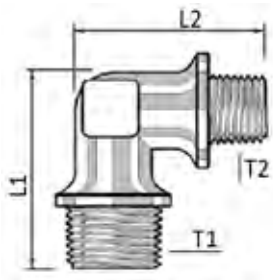


CODE	T	L	GR.
1810TRN18	N1/8"	23,8	2,2
1810TRN14	N1/4"	28,4	3,3



1812N

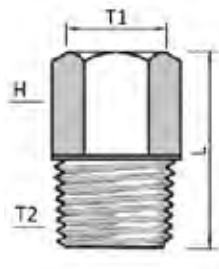
Reducer M/M elbow NPT thread



CODE	T1	T2	L1	L2	GR.
1812TRN1418	N1/4"	N1/8"	28,4	24,0	2,9

1820N

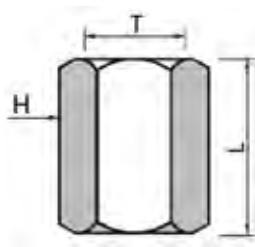
M/F adapter NPT thread



CODE	T1	T2	H	L	GR.
1820TRN1818	N1/8"	N1/8"	14	23,4	2,2
1820TRN1414	N1/4"	N1/4"	17	30,7	3,8
1820TRN3838	N3/8"	N3/8"	22	30,4	5,95
1820TRN1212	N1/2"	N1/2"	26	39,0	5,77
1820TRN1814	N1/8"	N1/4"	14	23,4	2,55
1820TRN1838	N1/8"	N3/8"	14	27,4	3,13
1820TRN1812	N1/8"	N1/2"	14	32,5	4,66
1820TRN1438	N1/4"	N3/8"	17	30,5	4,23
1820TRN1412	N1/4"	N1/2"	17	35,5	5,8
1820TRN3812	N3/8"	N1/2"	22	35,5	7,66
1820TRN1418	N1/4"	N1/8"	17	26,5	3,17
1820TRN3818	N3/8"	N1/8"	22	26,3	5,06
1820TRN3814	N3/8"	N1/4"	22	26,5	5,68
1820TRN1218	N1/2"	N1/8"	26	30,0	7,73
1820TRN1214	N1/2"	N1/4"	26	34,0	8,04
1820TRN1238	N1/2"	N3/8"	26	36,6	8,66

1825N

F/F sleeve NPT thread

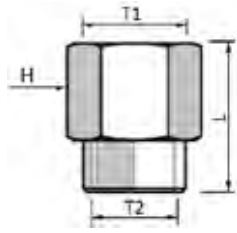


CODE	T	H	L	GR.
1825TRN18	N1/8"	14	19,7	2,3
1825TRN14	N1/4"	17	23,5	3,7
1825TRN38	N3/8"	22	24,6	5,2
1825TRN12	N1/2"	27	29,5	9,7



1827N

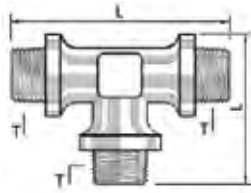
Reducer F/F sleeve NPT thread



CODE	T1	T2	H	L	GR.
1827TRN1418	N1/4"	N1/8"	17	22,0	3,2
1827TRN3818	N3/8"	N1/8"	22	24,4	4,9
1827TRN3814	N3/8"	N1/4"	22	24,8	4,83
1827TRN1214	N1/2"	N1/4"	26	27,0	7,4
1827TRN1238	N1/2"	N3/8"	26	26,8	7,8

1830N

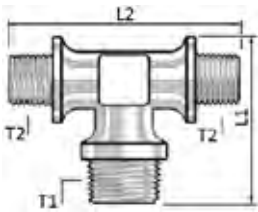
Male tee NPT thread



CODE	T	L	L1	GR.
1830TRN18	N1/8"	39,3	24,0	3,2
1830TRN14	N1/4"	48,4	28,5	4,8

1832N

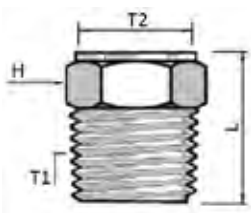
Central reducer male tee NPT thread



CODE	T1	T2	L1	L2	GR.
1832TRN1418	N1/4"	N1/8"	48,4	24,0	4,2

1840N

M/F reducer NPT thread

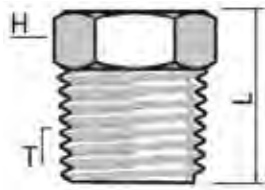


CODE	T1	T2	H	L	GR.
1840TRN1418	N1/4"	N1/8"	24	27,2	1,78
1840TRN3818	N3/8"	N1/8"	29	27,3	3,3
1840TRN3814	N3/8"	N1/4"	29	27,2	2,4
1840TRN1218	N1/2"	N1/8"	18	20,8	6,98
1840TRN1214	N1/2"	N1/4"	15	21,0	6,65
1840TRN1238	N1/2"	N3/8"	19	20,8	5,55
1840TRN3414	N3/4"	N1/4"	29	27,2	10,44
1840TRN3438	N3/4"	N3/8"	29	27,0	9,85
1840TRN3412	N3/4"	N1/2"	19	27,1	7,9



1850N

M plug NPT thread



CODE	T	H	L	GR.
1850TRN18	N1/8"	11	14,7	1,1
1850TRN14	N1/4"	14	19,4	2
1850TRN38	N3/8"	17	20,4	3,3
1850TRN12	N1/2"	22	25,6	6
1850TRN34	N3/4"	27	26,0	8,7

