

# **STANDARD FITTINGS**

BAYONET  
JOINT AND  
ACCESSORIES

**PLUS**

**COMPLETE RANGE**

---

**MECHANICAL RESISTANCE**

---

**STANDARD AND BAYONET  
CONNECTION**





p. 321 / **1255**



p. 321 / **1260**



p. 321 / **1265**



p. 322 / **1270**



p. 322 / **1290**



p. 322 / **1256**



p. 322 / **1280**



p. 322 / **1285**



p. 323 / **1288**



p. 323 / **1291**



p. 323 / **1275**



p. 324 / **1163**



p. 325 / **1164**



p. 325 / **1292**

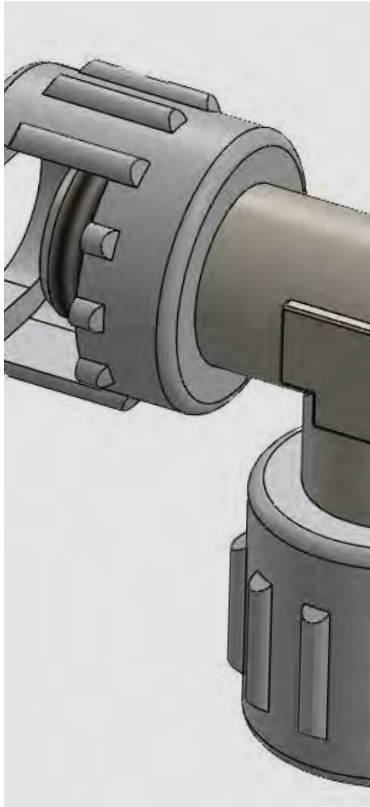


p. 326 / **1293**



p. 326 / **1278**





Temperature depends on the tube used, so the value will be defined according to the features of the tube itself



Pressure depends on the tube used, so their values will be defined according to the features of the tube itself



Compressed air



Parallel gas BSPP ISO 228 from G1/8" to G1/2"



Products in compliance with the directive 2002/95/EC

**RoHS2**

Products in compliance with the directive 2011/65/EU

**1255**

Milled nut



CODE	T	GR.
1255TR14	1/4"	14
1255TR14125	1/4"/125	14
1255TR38	3/8"	11

**1260**

Union tee with milled nuts



CODE	T	GR.
1260TR14	G1/4"	82

**1265**

Male connector BSPP thread with milled nut



CODE	T	GR.
1265TR14	G1/4"	71
1265TR38	G3/8"	73
1265TR12	G1/2"	82



**1270**

Union connector with millde nuts



CODE	T	GR.
1270TR14	G1/4"	81

**1290**

Female connector with milled nut



CODE	T	GR.
1290TR18	G1/8"	28
1290TR14	G1/4"	29
1290TR38	G3/8"	40

**1256**

Bayoned joints gasket



CODE	GR.
1256	10

**1280**

Male bayoned joint BSPP thread



CODE	T	GR.
1280TR18	G1/8"	16
1280TR14	G1/4"	16
1280TR38	G3/8"	18

**1285**

Female bayoned joint BSPP thread



CODE	T	GR.
1285TR18	G1/8"	17
1285TR14	G1/4"	19
1285TR38	G3/8"	18



## 1288

Bayoned joint with barb connector



CODE	ØTUBE	GR.
1288TR6	6	10
1288TR7	7	12
1288TR8	8	13
1288TR9	9	15
1288TR10	10	14
1288TR11	11	16
1288TR12	12	19
1288TR14	14	18

## 1291

Large bayoned joint with rubber hose connector



CODE	ØTUBE	GR.
1291BG1019	10X19	112
1291BG1020	10X20	112
1291BG1021	10X21	112
1291BG1022	10X22	117
1291BG1023	10X23	119
1291BG1319	13X19	117
1291BG1320	13X20	118
1291BG1323	13X23	127
1291BG1324	13X24	150
1291BG1325	13X25	150

## 1275

Bayoned joint with rubber hose connector



CODE	ØTUBE	GR.
1275TR610	6X10	38
1275TR612	6X12	35
1275TR613	6X13	38
1275TR614	6X14	36
1275TR716	7X16	43
1275TR812	8X12	33
1275TR813	8X13	40
1275TR815	8X15	42
1275TR817	8X17	31
1275TR1015	10X15	45
1275TR1017	10X17	49
1275TR1019	10X19	60



**1163**

Male connector BSPP thread with rubber hose connector

CODE	ØTUBE	T	GR.
1163TR61014	6X10	G1/4"	33
1163TR61214	6X12	G1/4"	30
1163TR61314	6X13	G1/4"	34
1163TR61414	6X14	G1/4"	34
1163TR71614	7X16	G1/4"	38
1163TR81214	8X12	G1/4"	35
1163TR81314	8X13	G1/4"	36
1163TR81514	8X15	G1/4"	39
1163TR81714	8X17	G1/4"	41
1163TR101514	10X15	G1/4"	45
1163TR101714	10X17	G1/4"	48
1163TR101914	10X19	G1/4"	48
1163TR61038	6X10	G3/8"	39
1163TR61238	6X12	G3/8"	36
1163TR61338	6X13	G3/8"	40
1163TR61438	6X14	G3/8"	40
1163TR71638	7X16	G3/8"	44
1163TR81238	8X12	G3/8"	41
1163TR81338	8X13	G3/8"	42
1163TR81538	8X15	G3/8"	45
1163TR81738	8X17	G3/8"	47
1163TR101538	10X15	G3/8"	51
1163TR101738	10X17	G3/8"	54
1163TR101938	10X19	G3/8"	54
1163TR111638	11X16	G3/8"	57



## 1164

Female connector BSPP thread with rubber hose connector



CODE	ØTUBE	T	GR.
1164TR61014	6X10	G1/4"	30
1164TR61214	6X12	G1/4"	30
1164TR61314	6X13	G1/4"	37
1164TR61414	6X14	G1/4"	35
1164TR71614	7X16	G1/4"	40
1164TR81214	8X12	G1/4"	32
1164TR81314	8X13	G1/4"	32
1164TR81514	8X15	G1/4"	35
1164TR81714	8X17	G1/4"	34
1164TR101514	10X15	G1/4"	38
1164TR101714	10X17	G1/4"	37
1164TR101914	10X19	G1/4"	39
1164TR61038	6X10	G3/8"	36
1164TR61238	6X12	G3/8"	36
1164TR61338	6X13	G3/8"	43
1164TR61438	6X14	G3/8"	41
1164TR71638	7X16	G3/8"	46
1164TR81238	8X12	G3/8"	38
1164TR81338	8X13	G3/8"	38
1164TR81538	8X15	G3/8"	41
1164TR81738	8X17	G3/8"	40
1164TR101538	10X15	G3/8"	44
1164TR101738	10X17	G3/8"	43
1164TR101938	10X19	G3/8"	45

## 1292

Large male connector BSPP thread with rubber hose connector



CODE	ØTUBE	T	CH	L	GR.
1292TR101938	10X19	G3/8"	24	65	113,0
1292TR102038	10X20	G3/8"	24	65	114,0
1292TR102138	10X21	G3/8"	24	65	114,0
1292TR102238	10X22	G3/8"	24	65	118,0
1292TR102338	10X23	G3/8"	27	65	120,0
1292TR131938	13X19	G3/8"	25	65	115,0
1292TR132038	13X20	G3/8"	25	65	117,0
1292TR132138	13X21	G3/8"	25	65	117,0
1292TR132338	13X23	G3/8"	27	65	124,0
1292TR132438	13X24	G3/8"	30	65	151,0
1292TR132538	13X25	G3/8"	30	65	149,0
1292TR101912	10X19	G1/2"	24	65	113,0
1292TR102012	10X20	G1/2"	24	65	115,0
1292TR102112	10X21	G1/2"	24	65	115,0
1292TR102212	10X22	G1/2"	24	65	119,0
1292TR102312	10X23	G1/2"	27	65	121,0
1292TR131912	13X19	G1/2"	25	65	117,0
1292TR132012	13X20	G1/2"	25	65	118,0
1292TR132112	13X21	G1/2"	25	65	118,0
1292TR132312	13X23	G1/2"	27	65	124,0
1292TR132412	13X24	G1/2"	30	65	151,0
1292TR132512	13X25	G1/2"	30	65	151,0



## 1293



Swivel large male rubber hose connector BSPT

CODE	ØTUBE	T	H	L	GR.
1293TR101912	10X19	R1/2"	24	69	158,0
1293TR102012	10X20	R1/2"	24	69	158,0
1293TR102112	10X21	R1/2"	24	69	159,0
1293TR102212	10X22	R1/2"	25	69	164,0
1293TR102312	10X23	R1/2"	27	69	166,0
1293TR131912	13X19	R1/2"	25	69	162,0
1293TR132012	13X20	R1/2"	25	69	164,0
1293TR132112	13X21	R1/2"	25	69	164,0
1293TR132312	13X23	R1/2"	27	69	170,0
1293TR132412	13X24	R1/2"	30	69	196,0
1293TR132512	13X25	R1/2"	30	69	196,0

## 1278



Sliding tap bayoneted joint with rubber hose connector

CODE	ØTUBE	GR.
1278TR612	6X12	93
1278TR614	6X14	91
1278TR817	8X17	100
1278TR1019	10X19	112

