

**BARB  
CONNECTORS**  
BRASS

**PLUS**

**SUITABLE FOR AIR**

**ACCESSORIES FOR HIGHER GRIPPING  
AND SAFETY AVAILABLE**





p. 254 / **1165**



p. 254 / **1167**



p. 255 / **1169**



p. 255 / **1170**



p. 256 / **1171**

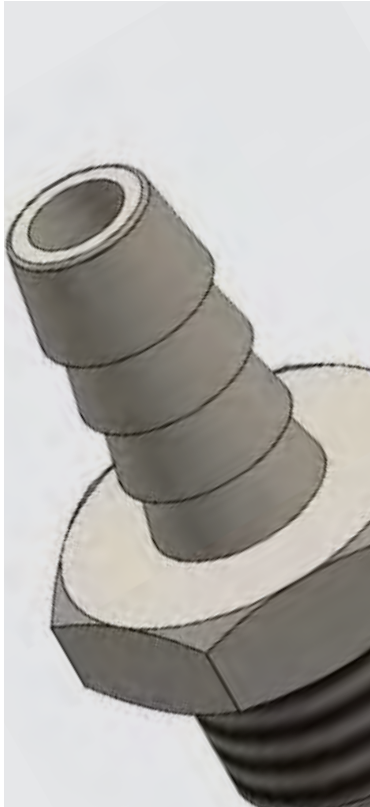


p. 256 / **1172**



p. 256 / **1173**





Temperature depends on the tube used, so their values will be defined according to the features of the tube itself.  
 NBR -20°C ÷ +100°C  
 VITON -15°C ÷ +200°C



Up to 60 Bar  
 Pressure depends on the tube used, so their values will be defined according to the features of the tube itself.



Compressed air, water and fluids suitable with construction materials



Taper gas BSPT ISO 7 from R1/8" to R1"  
 Parallel gas BSPP ISO 228 from G1/8" to G3/4"  
 Metric M5 and M6



**Body:** nickel plated brass  
 UNI EN 12164 CW 614N and  
 UNI EN 12164 CW 617N

**Lathed:** nickel plated brass  
 UNI EN 12164 CW 614N

**Printed:** nickel plated brass  
 UNI EN 12164 CW 617N

**O'ring:** NBR or Viton

Available on demand and with minimum quantity in yellow brass



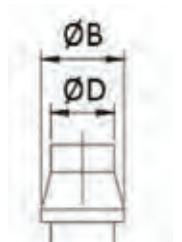
Products in compliance with the directive 2002/95/EC

**RoHS2**

Products in compliance with the directive 2011/65/EU

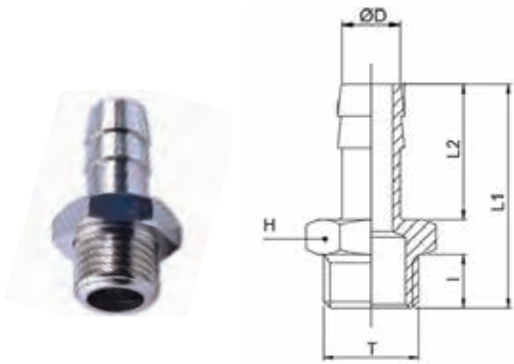
**DIAMETER OF THE BARB**

ØD	Ø 4,5 mm	Ø 6 mm	Ø 7 mm	Ø 8 mm	Ø 9 mm	Ø10 mm	Ø 12 mm	Ø 14 mm	Ø 17 mm	Ø 18 mm	Ø 20 mm
ØB (mm)	5,0 mm	6,15 mm	7,15 mm	8,15 mm	9,20 mm	10,20 mm	12,20 mm	14,25 mm	17,30 mm	18,50 mm	20,60 mm



1165

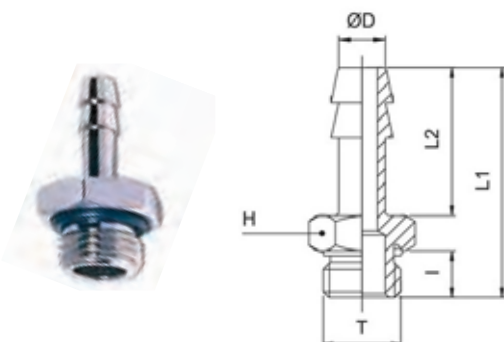
Male barb connector BSPP & metric thread



CODE	T	ØD	I	L1	L2	H	GR.
1165TRM545	M5	4,5	4,0	22,5	15,0	8	6,0
1165TRM56	M5	6	4,0	22,0	19,0	8	3,0
1165TRM66	M6	6	4,0	22,0	19,0	8	4,0
1165TR186	G1/8"	6	6,0	29,5	19,0	12	8,0
1165TR146	G1/4"	6	8,0	32,0	19,0	14	12,0
1165TRM57	M5	7	4,0	22,2	19,0	8	3,0
1165TRM67	M6	7	5,0	22,0	19,0	8	4,0
1165TR187	G1/8"	7	6,0	29,5	19,0	12	8,0
1165TR147	G1/4"	7	8,0	32,0	19,0	14	14,0
1165TR188	G1/8"	8	6,0	29,5	19,0	12	8,0
1165TR148	G1/4"	8	8,0	32,0	19,0	14	14,0
1165TR388	G3/8"	8	9,0	33,0	19,0	19	22,0
1165TR189	G1/8"	9	6,0	29,5	19,0	12	10,0
1165TR149	G1/4"	9	8,0	32,0	19,0	14	14,0
1165TR389	G3/8"	9	9,0	33,0	19,0	19	22,0
1165TR1810	G1/8"	10	6,0	30,5	20,0	12	10,0
1165TR1410	G1/4"	10	8,0	33,0	20,0	14	14,0
1165TR3810	G3/8"	10	9,0	34,0	20,0	19	23,0
1165TR1412	G1/4"	12	8,0	33,0	20,0	14	16,0
1165TR3812	G3/8"	12	9,0	34,0	20,0	19	24,0
1165TR1212	G1/2"	12	10,0	35,5	20,0	22	32,0
1165TR3814	G3/8"	14	9,0	36,0	22,0	19	26,0
1165TR1214	G1/2"	14	10,0	37,5	22,0	22	34,0
1165TR3817	G3/8"	17	9,0	38,0	24,0	19	30,0
1165TR1217	G1/2"	17	10,0	39,5	24,0	22	38,0
1165TR3418	G3/4"	18	11,0	41,5	24,0	30	58,0
1165TR1220	G1/2"	20	10,0	39,5	24,0	22	40,0
1165TR3420	G3/4"	20	11,0	41,5	24,0	30	60,0

1167

Male barb connector BSPP & metric thread with OR

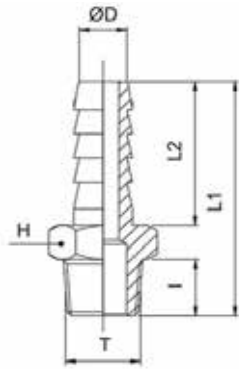


CODE	T	ØD	I	L1	L2	H	GR.
1167TRM545	M5	4,5	4,5	23,0	15,0	8	6,0
1167TR186	G1/8"	6	6,5	30,0	19,0	14	10,0
1167TR146	G1/4"	6	8,0	32,0	19,0	17	16,0
1167TR187	G1/8"	7	6,5	30,0	19,0	14	10,0
1167TR147	G1/4"	7	8,0	32,0	19,0	17	16,0
1167TR188	G1/8"	8	6,5	30,0	19,0	14	12,0
1167TR148	G1/4"	8	8,0	32,0	19,0	17	17,0
1167TR189	G1/8"	9	6,5	30,0	19,0	14	14,0
1167TR149	G1/4"	9	8,0	32,0	19,0	17	16,0
1167TR389	G3/8"	9	9,0	33,0	19,0	20	22,0
1167TR1412	G1/4"	12	8,0	33,0	20,0	17	18,0
1167TR3812	G3/8"	12	9,0	34,0	20,0	20	24,0
1167TR1212	G1/2"	12	10,0	35,5	20,0	24	35,0
1167TR3817	G3/8"	17	9,0	38,0	24,0	20	30,0
1167TR1217	G1/2"	17	10,0	39,5	24,0	24	42,0



1169

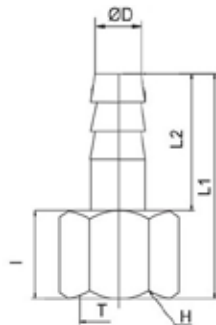
Male barb connector BSPT thread



CODE	T	ØD	I	L1	L2	H	GR.
1169TR186	R1/8"	6	8,0	31,5	19,0	12	8,0
1169TR146	R1/4"	6	11,0	35,0	19,0	14	14,0
1169TR187	R1/8"	7	8,0	31,5	19,0	12	10,0
1169TR147	R1/4"	7	11,0	35,0	19,0	14	14,0
1169TR188	R1/8"	8	8,0	31,5	19,0	12	10,0
1169TR148	R1/4"	8	11,0	35,0	19,0	14	14,0
1169TR189	R1/8"	9	8,0	31,5	19,0	12	12,0
1169TR149	R1/4"	9	11,0	35,0	19,0	14	16,0
1169TR389	R3/8"	9	11,5	35,5	19,0	17	20,0
1169TR129	R1/2"	9	14,0	38,5	19,0	22	32,0
1169TR1810	R1/8"	10	8,0	32,5	20,0	12	10,0
1169TR1410	R1/4"	10	11,0	36,0	20,0	14	16,0
1169TR3810	R3/8"	10	11,5	36,5	20,0	17	22,0
1169TR1210	R1/2"	10	14,0	39,5	20,0	22	32,0
1169TR1412	R1/4"	12	11,0	36,0	20,0	14	16,0
1169TR3812	R3/8"	12	11,5	36,5	20,0	17	22,0
1169TR1212	R1/2"	12	14,0	39,5	20,0	22	34,0
1169TR3814	R3/8"	14	11,5	38,5	22,0	17	24,0
1169TR1214	R1/2"	14	14,0	41,5	22,0	22	36,0
1169TR3816	R3/8"	16	11,5	38,5	22,0	17	26,0
1169TR1216	R1/2"	16	14,0	41,5	22,0	22	36,0
1169TR3416	R3/4"	16	16,5	45,0	22,0	27	58,0
1169TR3817	R3/8"	17	11,5	40,5	24,0	18	30,0
1169TR1217	R1/2"	17	14,0	43,5	24,0	22	40,0
1169TR3818	R3/8"	18	11,5	40,5	24,0	19	34,0
1169TR1218	R1/2"	18	14,0	43,5	24,0	22	44,0
1169TR3418	R3/4"	18	16,5	47,0	24,0	27	62,0
1169TR3820	R3/8"	20	11,5	41,0	24,0	22	40,0
1169TR1220	R1/2"	20	14,0	43,5	24,0	22	42,0
1169TR3420	R3/4"	20	16,5	46,5	24,0	27	60,0
1169TR3425	R3/4"	25	16,5	53,0	30,0	27	76,0
1169TR125	R1"	25	19,0	56,0	30,0	34	114,0

1170

Female barb connector BSPP thread

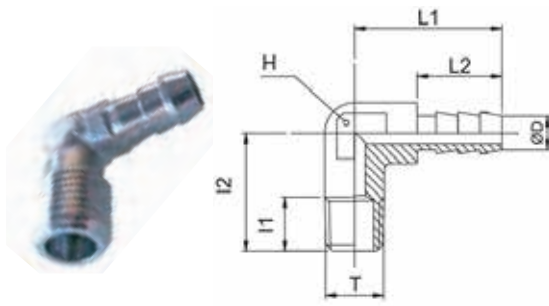


CODE	T	ØD	I	L1	L2	H	GR.
1170TR187	G1/8"	7	10,0	27,0	17,0	12	9,0
1170TR147	G1/4"	7	13,0	33,0	20,0	17	21,0
1170TR188	G1/8"	8	10,0	27,0	17,0	12	8,0
1170TR148	G1/4"	8	13,0	33,0	20,0	17	19,0
1170TR189	G1/8"	9	10,0	27,0	17,0	12	9,0
1170TR149	G1/4"	9	13,0	33,0	20,0	17	20,0
1170TR1412	G1/4"	12	13,0	33,0	20,0	17	22,0



1171

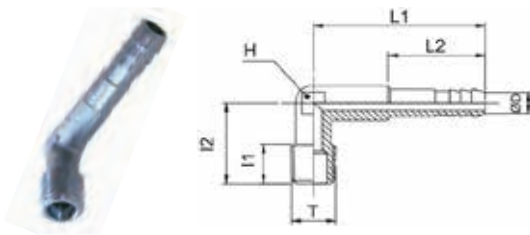
Male elbow barb connector BSPT thread



CODE	T	ØD	I1	I2	L1	L2	H	GR.
1171TR186185	R1/8"	6	8,0	18,5	22,5	14,0	8	10,0
1171TR18623	R1/8"	6	11,0	23,0	22,5	14,0	8	12,0
1171TR14623	R1/4"	6	11,0	23,0	23,0	14,0	9	16,0
1171TR187185	R1/8"	7	8,0	18,5	22,5	14,0	8	10,0
1171TR18723	R1/8"	7	11,0	23,0	22,5	14,0	8	10,0
1171TR14723	R1/4"	7	12,0	23,0	23,0	14,0	9	16,0

1172

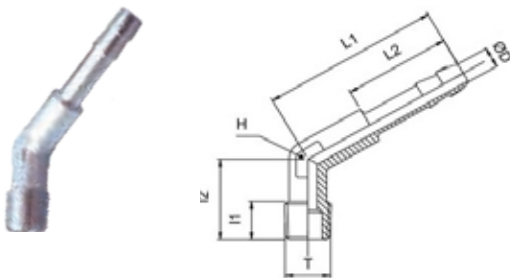
Long male elbow barb connector BSPT thread



CODE	T	ØD	I1	I2	L1	L2	H	GR.
1172TR186325	R1/8"	6	11,0	22,0	32,5	14,0	9	18,0
1172TR18638	R1/8"	6	8,0	18,5	38,0	22,0	8	14,0
1172TR146325	R1/4"	6	11,0	23,0	32,5	14,0	9	20,0
1172TR187325	R1/8"	7	11,0	22,0	32,5	14,0	9	16,0
1172TR18738	R1/8"	7	8,0	18,5	38,0	22,0	8	14,0
1172TR147325	R1/4"	7	8,0	23,0	32,5	14,0	9	20,0

1173

Long male elbow 120° barb connector BSPT thread



CODE	T	ØD	I1	I2	L1	L2	H	GR.
1173TR186	R1/8"	6	8,0	18,5	38,0	23,0	8	14,0
1173TR187	R1/8"	7	8,0	18,5	38,0	23,0	8	12,0

