

# STANDARD FITTINGS MICROCAST

PLUS

STAINLESS STEEL AISI 316

EASY TO ASSEMBLY





p. 297 / **1410MF**



p. 298 / **1412MF**



p. 298 / **1416MF**



p. 298 / **1420-P3**



p. 299 / **1425-P3**



p. 299 / **1425**



p. 299 / **1440**



p. 300 / **1450**



p. 300 / **1455**



p. 300 / **1469**



p. 301 / **1475**



p. 301 / **1480**



p. 301 / **1485**



p. 302 / **1490**





from -20°C to +200°C



16 Bar



Male threads taper  
BSPT R1/8" to R2"  
Female threads parallel BSPP  
from G1/8" to G2"



Stainless steel AISI 316 microcast

**FEATURES**

Pressure for intermediate temperatures may be determined by interpolation method. Temperatures indicated are related to the internal fluid flow. External piping loads, stress and moments over external walls are not taken in consideration.



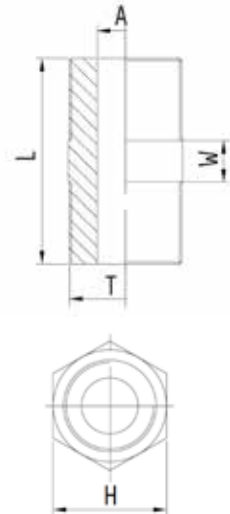
Products in compliance with the directive 2002/95/EC

**RoHS2**

Products in compliance with the directive 2011/65/EU

**1410MF**

Nipple connector

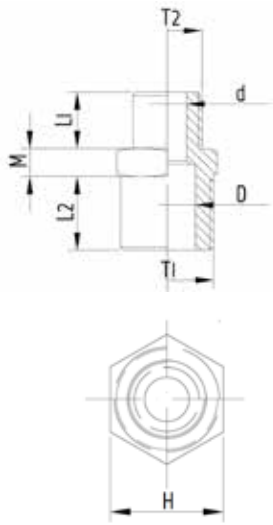


CODE	T	L	A	W	H
1410MF18	R1/8"	20,0	5,5	4,0	11,0
1410MF14	R1/4"	25,0	9,0	4,0	15,0
1410MF38	R3/8"	27,0	11,5	5,0	19,0
1410MF12	R1/2"	34,0	15,0	5,0	23,0
1410MF34	R3/4"	36,5	20,5	5,5	28,0
1410MF1	R1"	42,0	26,0	6,0	34,0
1410MF114	R1-1/4"	47,5	34,5	6,5	44,0
1410MF112	R1-1/2"	47,5	40,0	6,5	50,0
1410MF2	R2"	57,0	51,0	7,0	62,0



1412MF

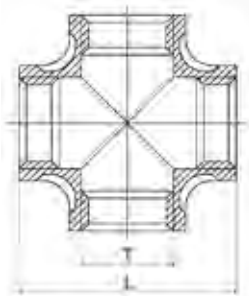
Reduced nipple connector



CODE	T1	T2	L1	L2	M	d	D	H
1412MF1418	R1/4"	R1/8"	8,0	10,5	4,0	5,5	8,0	14,5
1412MF3818	R3/8"	R1/8"	8,0	11,0	5,0	5,5	11,5	18,0
1412MF3814	R3/8"	R1/4"	10,5	11,0	5,0	8,0	11,5	18,0
1412MF1214	R1/2"	R1/4"	10,5	14,5	5,0	8,0	15,0	22,0
1412MF1238	R1/2"	R3/8"	11,0	14,5	5,0	11,5	15,0	22,0
1412MF3438	R3/4"	R3/8"	11,0	15,5	5,5	11,5	20,5	28,0
1412MF3412	R3/4"	R1/2"	14,5	15,5	5,5	15,0	20,5	28,0
1412MF138	1"	R3/8"	11,0	18,0	6,0	11,5	26,0	35,0
1412MF112	1"	R1/2"	14,5	18,0	6,0	15,0	26,0	35,0
1412MF134	1"	R3/4"	15,5	18,0	6,0	20,5	26,0	35,0
1412MF11434	1-1/4"	R3/4"	15,5	20,5	6,5	20,5	34,5	43,5
1412MF1141	1-1/4"	1"	18,0	20,5	6,5	26,0	34,5	43,5
1412MF1121	1-1/2"	1"	18,0	20,5	6,5	26,0	40,0	49,0
1412MF112114	1-1/2"	1-1/4"	20,5	20,5	6,5	34,5	40,0	49,0
1412MF21	2"	1"	18,0	25,0	7,0	26,0	51,0	61,5
1412MF2114	2"	1-1/4"	20,5	25,0	7,0	34,5	51,0	61,5
1412MF2112	2"	1-1/2"	20,5	25,0	7,0	40,0	51,0	61,5

1416MF

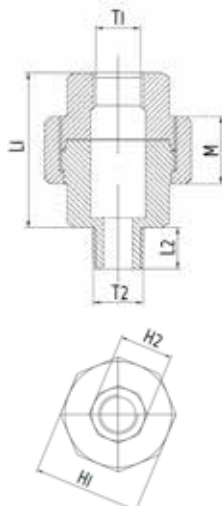
Female cross



CODE	T	L	DN
1416MF18	G1/8"	34,0	6
1416MF14	G1/4"	38,0	8
1416MF38	G3/8"	45,0	10
1416MF12	G1/2"	51,0	15
1416MF34	G3/4"	62,0	20
1416MF1	G1"	72,0	25
1416MF114	G1-1/4"	86,0	32
1416MF112	G1-1/2"	95,0	40
1416MF2	G2"	110,0	50
1416MF212	G2-1/2"	132,0	65

1420-P3

Nipple M/F in 3 pieces

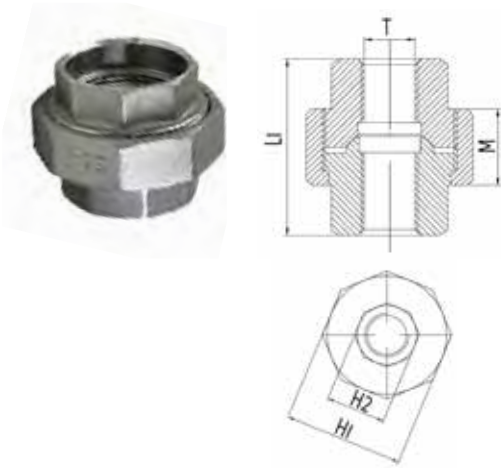


CODE	T1	T2	L1	L2	M	H1	H2
1420MF18P3	G1/8"	R1/8"	30,0	8,0	13,0	26	13
1420MF14P3	G1/4"	R1/4"	33,5	10,5	13,5	29	16,5
1420MF38P3	G3/8"	R3/8"	36,5	11,0	15,0	34	20
1420MF12P3	G1/2"	R1/2"	39,5	14,5	16,0	37	24,5



## 1425-P3

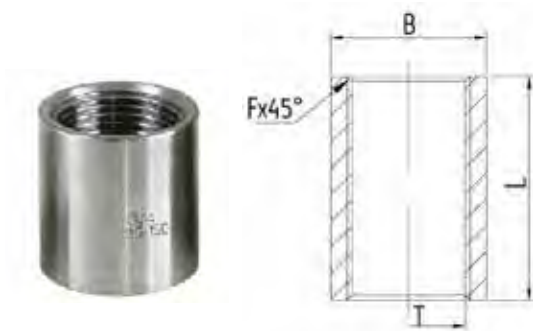
Nipple F/F in 3 pieces



CODE	T	L1	M	H1	H2
1425MF18P3	G1/8"	30,0	13,0	26	13
1425MF14P3	G1/4"	33,5	13,5	29	16,5
1425MF38P3	G3/8"	36,5	15,0	34	20
1425MF12P3	G1/2"	39,5	16,0	37	24,5
1425MF34P3	G3/4"	42,5	17,0	44	30
1425MF1P3	G1"	50,0	20,0	52,5	37

## 1425

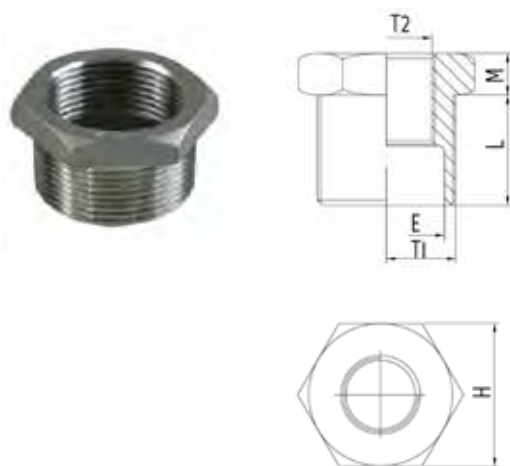
Sleeve F/F



CODE	T	L	F	B
1425MF18	G1/8"	17,0	0,6	13,0
1425MF14	G1/4"	24,0	1,0	16,5
1425MF38	G3/8"	25,0	1,0	20,0
1425MF12	G1/2"	32,0	1,2	24,5
1425MF34	G3/4"	35,0	1,2	30,0
1425MF1	G1"	41,0	1,6	37,0
1425MF114	G1-1/4"	45,0	1,6	46,5
1425MF112	G1-1/2"	45,0	1,6	53,0
1425MF2	G2"	54,0	1,6	65,0

## 1440

M/F reducer

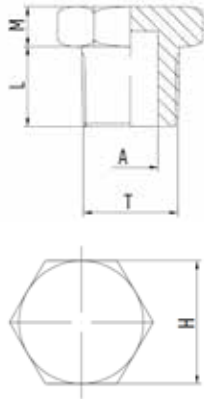


CODE	T1	T2	E	L	M	H
1440MF1418	R1/4"	G1/8"	8,0	10,5	4,0	14,5
1440MF3818	R3/8"	G1/8"	11,5	11,0	5,0	18,5
1440MF3814	R3/8"	G1/4"	11,5	11,0	5,0	18,5
1440MF1214	R1/2"	G1/4"	15,0	14,5	5,0	22,5
1440MF1238	R1/2"	G3/8"	15,0	14,5	5,0	22,5
1440MF3438	R3/4"	G3/8"	20,5	15,5	5,5	28,0
1440MF3412	R3/4"	G1/2"	20,5	15,5	5,5	28,0
1440MF112	R1"	G1/2"	26,0	18,0	6,0	35,0
1440MF134	R1"	G3/4"	26,0	18,0	6,0	35,0
1440MF11434	R1-1/4"	G3/4"	34,5	20,5	6,5	44,0
1440MF1141	R1-1/4"	G1"	34,5	20,5	6,5	44,0
1440MF1121	R1-1/2"	G1"	40,0	20,5	6,5	49,5
1440MF112114	R1-1/2"	G1-1/4"	40,0	20,5	6,5	49,5
1440MF2114	R2"	G1-1/4"	51,0	25,0	7,0	61,5
1440MF2112	R2"	G1-1/2"	51,0	25,0	7,0	61,5



1450

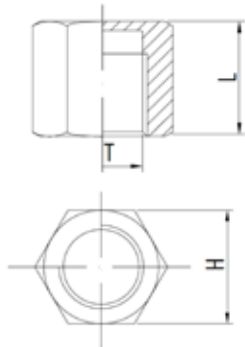
Male plug



CODE	T	L	M	A	H
1450MF18	G1/8"	8,0	4,0	5,5	12,5
1450MF14	G1/4"	10,5	4,0	8,0	15,0
1450MF38	G3/8"	11,0	5,0	11,5	18,5
1450MF12	G1/2"	14,5	5,0	15,0	22,5
1450MF34	G3/4"	15,5	5,5	20,5	28,0
1450MF1	G1"	18,0	6,0	26,0	35,0
1450MF114	G1-1/4"	20,5	6,5	34,5	44,0
1450MF112	G1-1/2"	20,5	6,5	40,0	50,5
1450MF2	G2"	25,0	7,0	51,0	62,5

1455

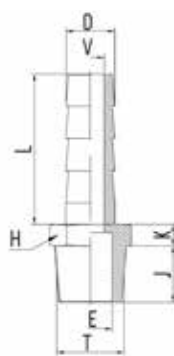
Female plug



CODE	T	L	H
1455MF18	G1/8"	12,5	13
1455MF14	G1/4"	16,0	16,5
1455MF38	G3/8"	16,5	20
1455MF12	G1/2"	21,0	24,5
1455MF34	G3/4"	22,5	30
1455MF1	G1"	26,0	37
1455MF114	G1-1/4"	29,0	46,5
1455MF112	G1-1/2"	29,0	53
1455MF2	G2"	33,5	65

1469

Barb connector BSPT thread

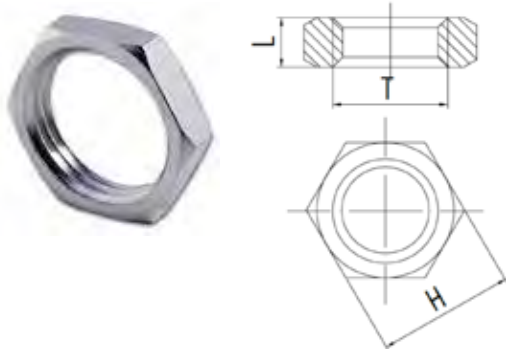


CODE	T	E	J	K	L	V	D	H
1469MF18T7	R1/8"	5,7	11,0	6,3	23,7	4,0	6,7	13
1469MF14T9	R1/4"	8,0	10,5	4,0	28,0	5,0	9,0	15
1469MF38T11	R3/8"	11,5	11,0	5,0	33,0	7,0	11,5	18
1469MF12T15	R1/2"	15,0	14,5	5,0	38,0	10,5	15,0	22
1469MF34T20	R3/4"	20,5	15,5	5,5	45,0	15,0	20,0	28
1469MF1T265	R1"	26,0	18,0	6,0	52,0	22,0	26,5	35
1469MF114T34	R1-1/4"	34,5	20,5	6,5	52,0	27,5	34	44
1469MF112T40	R1-1/2"	40,0	20,5	6,5	56,0	34,0	40	50
1469MF2T52	R2"	51,0	25,0	7,0	60,0	45,0	52,0	61,5



1475

Bulkhead locking nut



CODE	T	L	H
1475MF18	G1/8"	6,0	15
1475MF14	G1/4"	6,0	18
1475MF38	G3/8"	6,0	24
1475MF12	G1/2"	7,0	30
1475MF34	G3/4"	7,0	34
1475MF1	G1"	9,0	42,5
1475MF114	G1-1/4"	11,0	52
1475MF112	G1-1/2"	11,0	58
1475MF2	G2"	13,0	72

1480

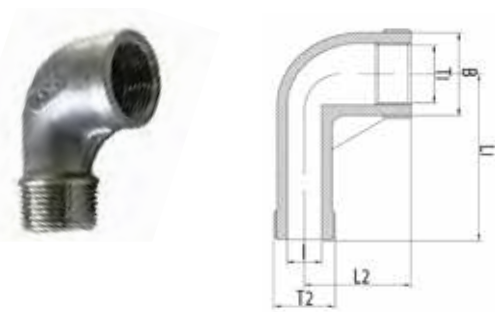
Elbow female BSPP thread



CODE	T	L	B
1480MF18	G1/8"	17,0	13,0
1480MF14	G1/4"	19,0	16,5
1480MF38	G3/8"	23,0	20,0
1480MF12	G1/2"	27,0	24,5
1480MF34	G3/4"	32,0	30,0
1480MF1	G1"	38,0	37,5
1480MF114	G1-1/4"	45,0	46,5
1480MF112	G1-1/2"	48,0	53,0
1480MF2	G2"	57,0	65,5

1485

Elbow male BSPT thread and female BSPP thread

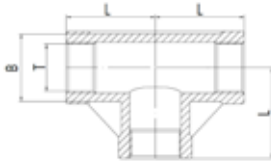


CODE	T1	T2	B	L1	L2	I
1485MF18	G1/8"	R1/8"	13,0	26,0	17,0	5,5
1485MF14	G1/4"	R1/4"	16,5	27,0	19,0	8,0
1485MF38	G3/8"	R3/8"	19,7	29,0	23,0	11,5
1485MF12	G1/2"	R1/2"	24,5	35,0	27,0	15,0
1485MF34	G3/4"	R3/4"	30,0	40,0	32,0	20,5
1485MF1	G1"	R1"	37,5	46,0	38,0	26,0
1485MF114	G1-1/4"	R1-1/4"	46,5	54,0	45,0	34,5
1485MF112	G1-1/2"	R1-1/2"	53,0	57,0	48,0	40,0
1485MF2	G2"	R2"	65,5	70,0	57,0	51,0



1490

Tee female BSPP thread



CODE	T	L	B
1490MF18	G1/8"	17,0	13,0
1490MF14	G1/4"	19,0	16,5
1490MF38	G3/8"	23,0	20,0
1490MF12	G1/2"	27,0	24,5
1490MF34	G3/4"	32,0	30,0
1490MF1	G1"	38,0	37,5
1490MF114	G1-1/4"	45,0	46,5
1490MF112	G1-1/2"	48,0	53,0
1490MF2	G2"	57,0	65,5

