

# COMPRESSION FITTINGS

## BRASS

PLUS

**GREAT GRIPPING SYSTEM THANKS TO  
THE FERRULE AND THE LOCKING NUT**

---

**RESISTANT TO VIBRATIONS AND TO  
WATER HAMMERS**

---

**SUITABLE WITH AIR AND OIL**

---

**USABLE WITH PLASTIC TUBES THANKS  
TO THE INTERNAL SUPPORT BUSH**





p. 229 / **3100**



p. 230 / **3120**



p. 230 / **3130**



p. 230 / **3140**



p. 231 / **3150**



p. 231 / **3160**



p. 231 / **3170**



p. 232 / **3180**



p. 232 / **3190**



p. 232 / **3200**



p. 233 / **3210**



p. 233 / **3230**



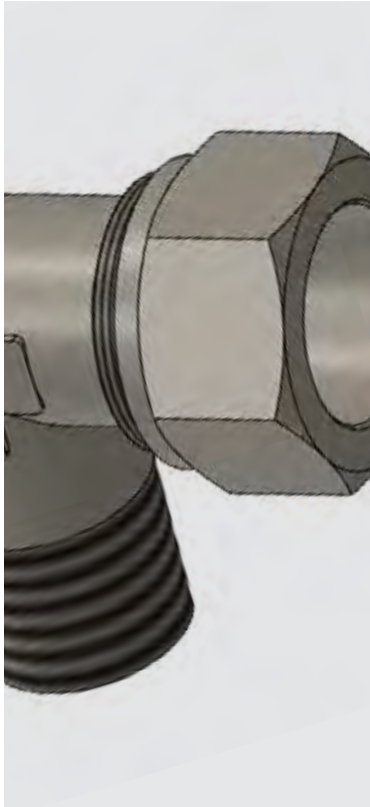
p. 233 / **3240**



p. 234 / **3250**



p. 234 / **1176**



-20°C ÷ 80°C  
The temperature depend on the pipe's features used



Up to 60 Bar  
Maximum working pressure depend on the pipe's features used



Compressed air, oil and fluids suitable with construction materials. Tube sites, ogives and locking nuts are manufactured in compliance with DIN 3870 - 3861.



Taper gas BSPT ISO 7  
from R1/8" to R1/2"

Parallel gas BSPP ISO 228  
from G1/8" to G1/2"



**Metal tubes:** brass, copper, steel and aluminum

**Plastic tubes:** polyethylene, Polyamide, PTFE, FEP using support bush (art. 3250)



**Body:** Lathed nickel plated brass  
UNI EN 12164 CW 614N  
Printed nickel plated brass  
UNI EN 12165 CW 617N

**Lock nut:** Nickel plated brass  
UNI EN 12164 CW 614N

**Ogive:** Brass  
UNI EN 12164 CW 614N



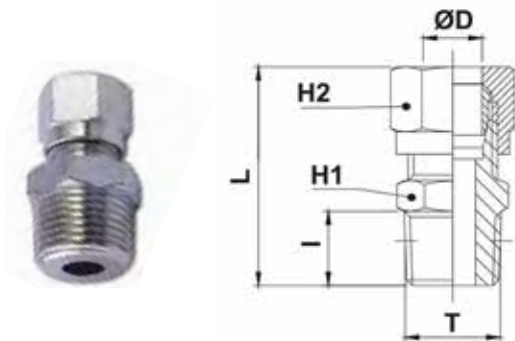
Products in compliance with the directive 2002/95/EC

## RoHS2

Products in compliance with the directive 2011/65/EU

## 3100

### Male connector BSPT thread

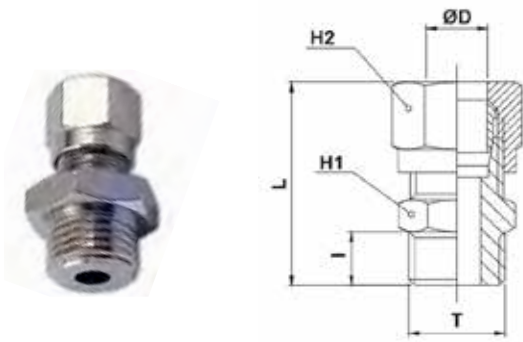


CODE	T	ØD	I	L	H1	H2	GR.
3100TR184	R1/8"	4	8,0	27,0	10	10	12,0
3100TR186	R1/8"	6	8,0	28,0	12	12	16,0
3100TR146	R1/4"	6	11,0	32,5	14	12	24,0
3100TR188	R1/8"	8	8,0	29,5	12	14	18,0
3100TR148	R1/4"	8	11,0	33,0	14	14	24,0
3100TR388	R3/8"	8	11,5	33,0	17	14	36,0
3100TR1410	R1/4"	10	11,0	37,5	17	19	44,0
3100TR3810	R3/8"	10	11,5	38,0	17	19	50,0
3100TR1210	R1/2"	10	14,0	40,5	22	19	74,0
3100TR3812	R3/8"	12	11,5	39,0	19	22	58,0
3100TR1212	R1/2"	12	14,0	41,0	22	22	78,0
3100TR1214	R1/2"	14	14,0	42,5	22	27	102,0
3100TR1215	R1/2"	15	14,0	42,5	22	27	96,0
3100TR1216	R1/2"	16	14,0	42,0	24	30	112,0
3100TR1218	R1/2"	18	14,0	43,0	26	32	126,0



3120

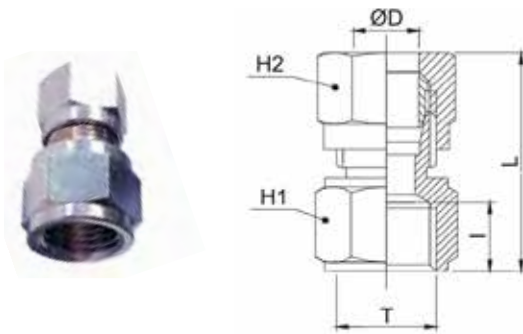
Male connector BSPP thread



CODE	T	ØD	I	L	H1	H2	GR.
3120TR184	G1/8"	4	6,0	25,0	14	10	16,0
3120TR186	G1/8"	6	6,0	26,0	14	12	16,0
3120TR146	G1/4"	6	8,0	29,5	17	12	24,0
3120TR188	G1/8"	8	6,0	27,5	14	14	18,0
3120TR148	G1/4"	8	8,0	30,0	17	14	28,0
3120TR388	G3/8"	8	9,0	30,5	19	14	34,0
3120TR1410	G1/4"	10	8,0	34,5	17	19	44,0
3120TR3810	G3/8"	10	9,0	36,0	19	19	50,0

3130

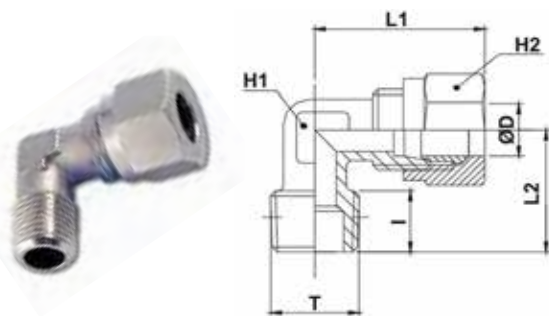
Female connector BSPP thread



CODE	T	ØD	I	L	H1	H2	GR.
3130TR184	G1/8"	4	8,0	24,5	14	10	16,0
3130TR186	G1/8"	6	8,0	26,0	14	12	17,0
3130TR146	G1/4"	6	11,0	30,5	17	12	26,0
3130TR188	G1/8"	8	8,0	26,5	14	14	20,0
3130TR148	G1/4"	8	11,0	31,0	17	14	28,0
3130TR388	G3/8"	8	11,5	31,0	20	14	32,0
3130TR1410	G1/4"	10	11,0	35,5	17	19	46,0
3130TR3810	G3/8"	10	11,5	36,5	20	19	50,0
3130TR3812	G3/8"	12	11,5	37,0	20	22	58,0
3130TR1212	G1/2"	12	15,0	38,5	24	22	70,0
3130TR1214	G1/2"	14	15,0	40,0	24	27	98,0
3130TR1215	G1/2"	15	15,0	40,5	24	27	94,0
3130TR1216	G1/2"	16	16,0	41,5	24	30	110,0
3130TR1218	G1/2"	18	16,0	43,0	24	32	134,0

3140

Male elbow BSPT thread

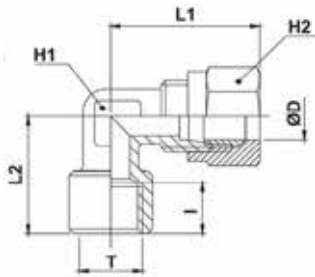


CODE	T	ØD	I	L1	L2	H1	H2	GR.
3140TR184	R1/8"	4	8,0	21,0	16,0	9	10	14,0
3140TR186	R1/8"	6	8,0	22,0	16,0	9	12	16,0
3140TR146	R1/4"	6	11,0	24,5	20,0	11	12	24,0
3140TR188	R1/8"	8	8,0	24,0	17,0	11	14	22,0
3140TR148	R1/4"	8	11,0	24,0	20,0	11	14	26,0
3140TR388	R3/8"	8	11,5	27,0	24,0	13	14	36,0
3140TR1410	R1/4"	10	11,0	32,0	23,5	13	19	48,0
3140TR3810	R3/8"	10	11,5	32,0	24,0	13	19	52,0
3140TR1210	R1/2"	10	14,0	34,0	28,5	15	19	66,0
3140TR3812	R3/8"	12	11,5	34,5	25,5	15	22	69,0
3140TR1212	R1/2"	12	14,0	34,5	28,5	15	22	74,0
3140TR1214	R1/2"	14	14,0	38,0	30,0	17	27	106,0
3140TR1215	R1/2"	15	14,0	38,0	30,0	17	27	100,0
3140TR1216	R1/2"	16	14,0	39,5	31,5	19	30	124,0
3140TR1218	R1/2"	18	14,0	44,0	34,0	22	32	156,0



3150

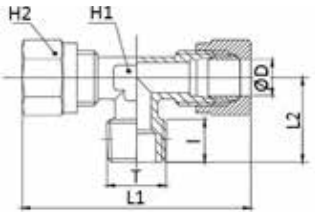
Female elbow BSPP thread



CODE	T	ØD	I	L1	L2	H1	H2	GR.
3150TR184	G1/8"	4	8,0	22,0	20,0	9	10	18,0
3150TR186	G1/8"	6	8,0	24,0	20,0	9	12	20,0
3150TR146	G1/4"	6	11,0	27,0	25,5	13	12	39,0
3150TR188	G1/8"	8	8,0	24,0	20,0	11	14	26,0
3150TR148	G1/4"	8	11,0	27,5	25,5	13	14	40,0

3160

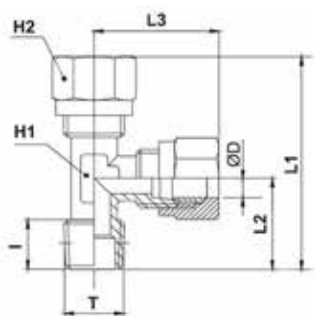
Male tee BSPT thread



CODE	T	ØD	I	L1	L2	H1	H2	GR.
3160TR184	R1/8"	4	8,0	42,0	16,0	9	10	22,0
3160TR186	R1/8"	6	8,0	46,0	16,0	9	12	26,0
3160TR146	R1/4"	6	11,0	48,0	20,0	11	12	34,0
3160TR188	R1/8"	8	8,0	48,0	17,0	11	14	34,0
3160TR148	R1/4"	8	11,0	48,0	20,0	11	14	38,0
3160TR388	R3/8"	8	11,5	54,0	24,0	13	14	52,0
3160TR1410	R1/4"	10	11,0	64,0	23,5	13	19	80,0
3160TR3810	R3/8"	10	11,5	64,0	24,0	13	19	84,0
3160TR3812	R3/8"	12	11,5	69,0	25,5	15	22	108,0
3160TR1212	R1/2"	12	14,0	69,0	28,5	15	22	118,0
3160TR1214	R1/2"	14	14,0	76,0	30,0	17	27	176,0
3160TR1215	R1/2"	15	14,0	76,0	30,0	17	27	170,0
3160TR1216	R1/2"	16	14,0	79,0	31,5	19	30	212,0
3160TR1218	R1/2"	18	14,0	88,0	34,0	22	32	256,0

3170

Lateral male tee BSPT thread

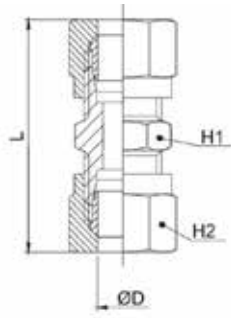


CODE	T	ØD	I	L1	L2	L3	H1	H2	GR.
3170TR184	R1/8"	4	8,0	37,0	16,0	21,0	9	10	22,0
3170TR186	R1/8"	6	8,0	39,0	16,0	23,0	9	10	26,0
3170TR146	R1/4"	6	11,0	44,5	20,0	24,5	11	12	34,0
3170TR188	R1/8"	8	8,0	41,0	17,0	24,0	11	14	34,0
3170TR148	R1/4"	8	11,0	44,0	20,0	24,0	11	14	38,0
3170TR388	R3/8"	8	11,5	51,0	24,0	27,0	13	14	52,0
3170TR1410	R1/4"	10	11,0	55,5	23,5	32,0	13	19	80,0
3170TR3810	R3/8"	10	11,5	56,0	24,0	32,0	13	19	84,0
3170TR3812	R3/8"	12	11,5	60,0	25,5	34,5	15	22	110,0
3170TR1212	R1/2"	12	14,0	63,0	28,5	34,5	15	22	118,0
3170TR1214	R1/2"	14	14,0	68,0	30,0	38,0	17	27	176,0
3170TR1215	R1/2"	15	14,0	68,0	30,0	38,0	17	27	170,0
3170TR1216	R1/2"	16	14,0	71,0	31,5	39,5	19	30	210,0
3170TR1218	R1/2"	18	14,0	78,0	34,0	44,0	22	32	256,0



3180

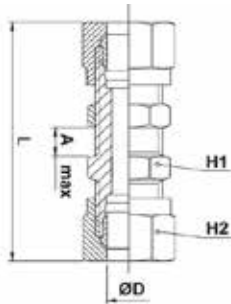
Union connector



CODE	ØD	L	H1	H2	GR.
3180TR4	4	33,5	10	10	16,0
3180TR6	6	36,5	12	12	25,0
3180TR8	8	38,5	14	14	28,0
3180TR10	10	47,5	17	19	66,0
3180TR12	12	50,5	19	22	93,0
3180TR14	14	55,5	24	27	148,0
3180TR15	15	55,5	24	27	140,0
3180TR16	16	58,0	24	30	177,0
3180TR18	18	60,0	26	32	198,0

3190

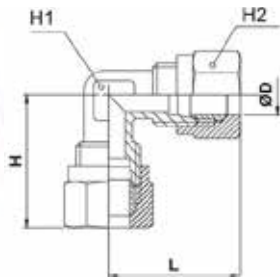
Bulkhead connector



CODE	ØD	A MAX	L	H1	H2	GR.
3190TR6	6	15,5	51,5	14	12	32,0
3190TR8	8	16,5	55,5	16	14	42,0
3190TR10	10	15,5	62,5	19	19	90,0
3190TR12	12	16,0	64,5	22	22	116,0
3190TR14	14	18,0	69,5	25	27	192,0
3190TR15	15	18,0	69,5	25	27	184,0

3200

Union elbow connector

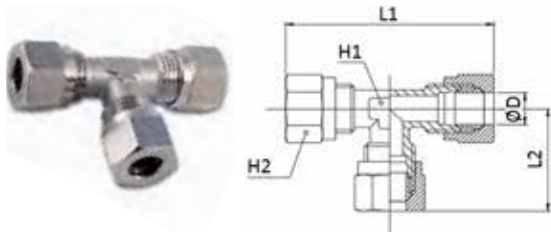


CODE	ØD	L1	L2	H1	H2	GR.
3200TR4	4	21,0	21,0	9	10	18,0
3200TR6	6	23,0	23,0	9	12	22,0
3200TR8	8	24,0	24,0	11	14	30,0
3200TR10	10	32,0	32,0	13	19	70,0
3200TR12	12	34,5	34,5	15	22	94,0
3200TR14	14	38,0	38,0	17	27	152,0
3200TR15	15	38,0	38,0	17	27	144,0
3200TR16	16	39,5	39,5	19	30	186,0
3200TR18	18	44,0	44,0	22	32	228,0



## 3210

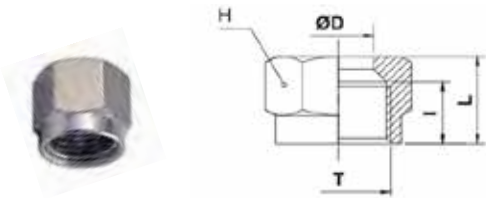
## Union tee connector



CODE	ØD	L1	L2	H1	H2	GR.
3210TR4	4	42,0	21,0	9	10	26,0
3210TR6	6	46,0	23,0	9	12	30,0
3210TR8	8	48,0	24,0	11	14	42,0
3210TR10	10	64,0	32,0	13	19	102,0
3210TR12	12	69,0	34,5	15	22	136,0
3210TR14	14	76,0	38,0	17	27	226,0
3210TR15	15	76,0	38,0	17	27	208,0
3210TR16	16	79,0	39,5	19	30	272,0
3210TR18	18	88,0	44,0	22	32	330,0

## 3230

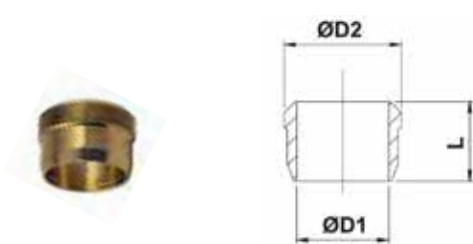
## Locking nut



CODE	T	ØD	I	L	H	GR.
3230TRM814	M8X1	4	7,5	11,0	10	4,2
3230TRM1016	M10X1	6	8,5	11,5	12	5,4
3230TRM1218	M12X1	8	9,0	12,0	14	7,0
3230TRM161510	M16X1,5	10	11,5	15,5	19	18,2
3230TRM181512	M18X1,5	12	11,5	15,5	22	25,0
3230TRM221514	M22X1,5	14	12,0	17,5	27	44,3
3230TRM221515	M22X1,5	15	12,0	17,0	27	41,1
3230TRM241516	M24X1,5	16	12,0	17,5	30	55,6
3230TRM261518	M26X1,5	18	12,5	18,5	32	64,2

## 3240

## Ferrule

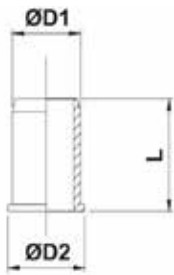


CODE	ØD1	ØD2	L	GR.
3240TR4	4	6	6,0	0,45
3240TR6	6	8	7,0	0,82
3240TR8	8	10	7,0	1,12
3240TR10	10	13	10,0	3,32
3240TR12	12	15	10,0	3,80
3240TR14	14	17	10,0	4,40
3240TR15	15	18	10,0	4,76
3240TR16	16	19	10,0	5,04
3240TR18	18	21	10,5	5,92



3250

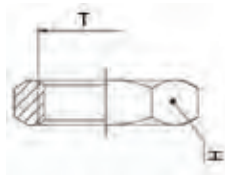
Internal support bush



CODE	TUBO OD	D1	D2	L	GR.
3250TR4	4	2,5	3,5	10,0	0,20
3250TR6	6	4,0	5,5	12,0	0,60
3250TR8	8	6,0	7,5	13,0	1,00
3250TR10	10	8,0	9,5	14,0	1,40
3250TR12	12	10,0	11,5	16,0	2,20
3250TR14	14	12,0	13,5	16,0	2,60
3250TR15	15	12,5	14,5	17,0	2,80
3250TR16	16	14,0	15,5	18,0	3,40

1176

Bulkhead locking nut



CODE	T	H	GR.
1176TRM101	M10X1	14	3,0
1176TRM121	M12X1	16	3,8
1176TRM1615	M16X1,5	19	5,0
1176TRM1815	M18X1,5	22	7,0
1176TRM2215	M22X1,5	25	17,0

