

COMPRESSION FITTINGS

UNIVERSAL BRASS

PLUS

**GREAT GRIPPING SYSTEM THANKS TO
THE FERRULE AND THE LOCKING NUT**

**RESISTANT TO VIBRATIONS AND TO
WATER HAMMERS**

**USABLE WITH PLASTIC TUBES THANKS
TO THE INTERNAL SUPPORT BUSH**

**THE PARTICULAR SHAPE OF THE OGIVE
ALLOWS IS TO SELF-CENTER BETWEEN
THE NUT AND THE FITTING SEAT**



N



p. 209 / **3100-G**



p. 210 / **3120-G**



p. 210 / **3130-G**



p. 210 / **3140-G**



p. 211 / **3150-G**



p. 211 / **3160-G**



p. 211 / **3170-G**



p. 212 / **3180-G**



p. 212 / **3190-G**



p. 212 / **3200-G**



p. 213 / **3210-G**



p. 213 / **3230-G**



p. 213 / **3240-G**

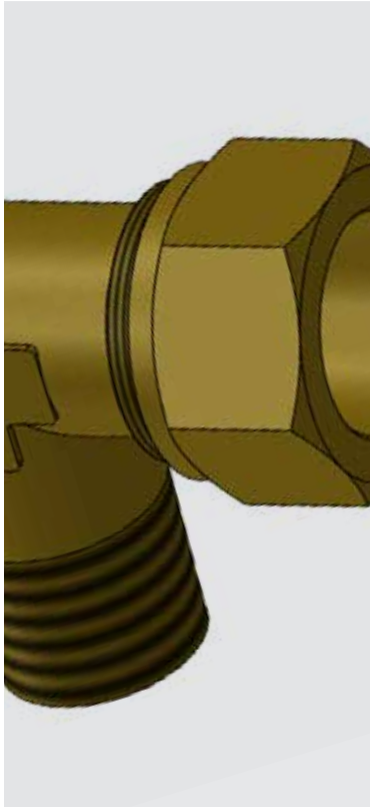


p. 214 / **3245-G**



p. 214 / **3250**





-20°C ÷ 80°C
The temperature depend on the pipe's features used



Up to 60 Bar
Maximum working pressure depend on the pipe's features used



Air, water, oil and fluids suitable with construction materials



Taper gas BSPT ISO 7 from R1/8" to R1/2"
Parallel gas BSPP ISO 228 from G1/8" to G1/2"



Metal tubes: brass, copper, steel and aluminum
Plastic tubes: polyurethane, polyethylene, Polyamide with internal reinforcement (art. 3250)



Body: Lathed yellow brass UNI EN 12164 CW 614N
Printed yellow brass UNI EN12165 CW 617N

Lock nut: Yellow brass UNI EN 12164 CW 614N

Ogive: Yellow brass UNI EN 12164 CW 614N



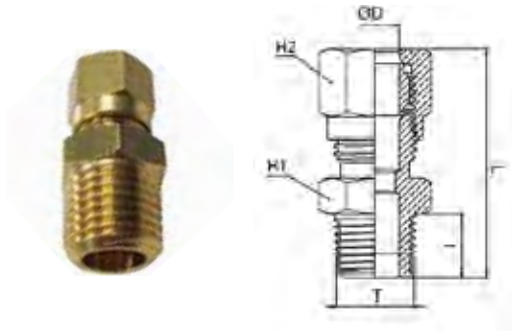
Products in compliance with the directive 2002/95/EC

RoHS2

Products in compliance with the directive 2011/65/EU

3100-G

Male connector BSPT thread

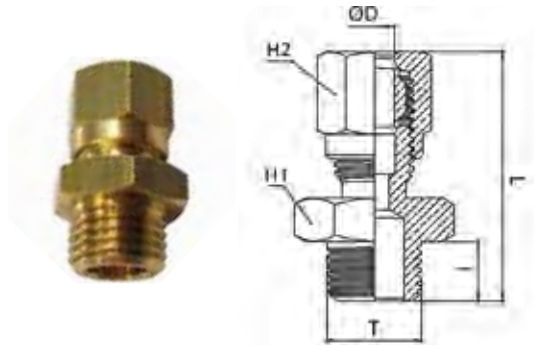


CODE	T	ØD	I	L	H1	H2	GR.
3100LL184-G	R1/8"	4	8	27	10	10	12
3100LL186-G	R1/8"	6	8	28	12	12	14
3100LL146-G	R1/4"	6	11	32,5	14	12	20
3100LL188-G	R1/8"	8	8	29,5	12	14	18
3100LL148-G	R1/4"	8	11	33	14	14	22
3100LL388-G	R3/8"	8	11,5	33	17	14	28
3100LL1410-G	R1/4"	10	11	37,5	17	19	44
3100LL3810-G	R3/8"	10	11,5	38	17	19	44
3100LL1210-G	R1/2"	10	14	40,5	22	19	59
3100LL3812-G	R3/8"	12	11,5	39	19	22	56
3100LL1212-G	R1/2"	12	14	41	22	22	67
3100LL1214-G	R1/2"	14	14	42,5	22	27	94
3100LL1215-G	R1/2"	15	14	42,5	22	27	88
3100LL1216-G	R1/2"	16	14	42	24	30	110
3100LL1218-G	R1/2"	18	14	43	26	32	124



3120-G

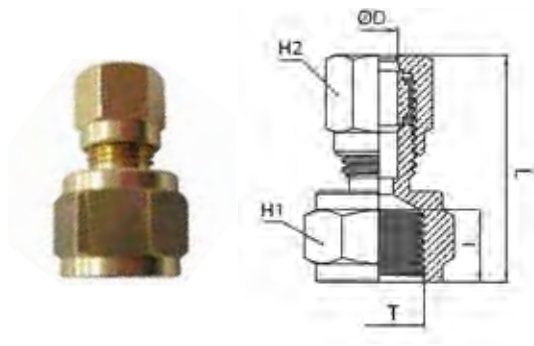
Male connector BSPP thread



CODE	T	ØD	I	L	H1	H2	GR.
3120LL184-G	G1/8"	4	6	25	14	10	16
3120LL186-G	G1/8"	6	6	26	14	12	16
3120LL146-G	G1/4"	6	8	29,5	17	12	22
3120LL188-G	G1/8"	8	6	27,5	14	14	18
3120LL148-G	G1/4"	8	8	30	17	14	24
3120LL388-G	G3/8"	8	9	30,5	19	14	34
3120LL1410-G	G3/8"	10	9	36	19	19	42
3120LL3810-G	G1/4"	10	8	34,5	17	19	44

3130-G

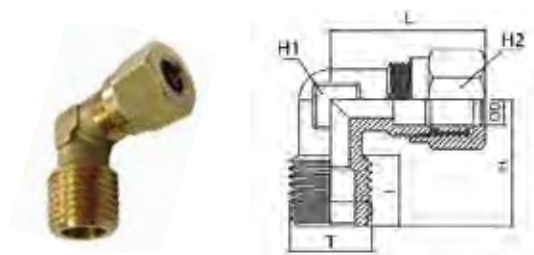
Female connector BSPP thread



CODE	T	ØD	I	L	H1	H2	GR.
3130LL184-G	G1/8"	4	8	24,5	14	10	14
3130LL186-G	G1/8"	6	8	26	14	12	17
3130LL146-G	G1/4"	6	11	30,5	17	12	24
3130LL188-G	G1/8"	8	8	26,5	14	14	20
3130LL148-G	G1/4"	8	11	31	17	14	26
3130LL388-G	G3/8"	8	11,5	31	20	14	30
3130LL1410-G	G1/4"	10	11	35,5	17	19	44
3130LL3810-G	G3/8"	10	11,5	36,5	20	19	48
3130LL3812-G	G3/8"	12	11,5	37	20	22	58
3130LL1212-G	G1/2"	12	15	38,5	24	22	70
3130LL1214-G	G1/2"	14	15	40	24	27	98
3130LL1215-G	G1/2"	15	15	40,5	24	27	90
3130LL1216-G	G1/2"	16	15	41,5	24	30	108
3130LL1218-G	G1/2"	18	15	43	26	32	134

3140-G

Male elbow BSPT thread

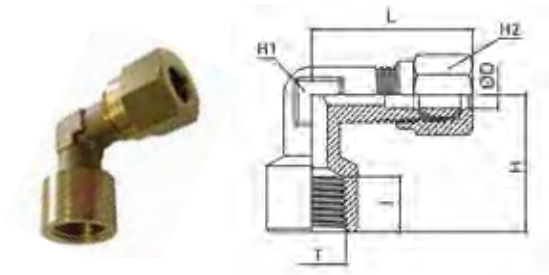


CODE	T	ØD	I	L	H	H1	H2	GR.
3140LL184-G	R1/8"	4	8	21	16	9	10	14
3140LL186-G	R1/8"	6	8	22	16	9	12	16
3140LL146-G	R1/4"	6	11	24,5	20	11	12	24
3140LL188-G	R1/8"	8	8	24	17	11	14	22
3140LL148-G	R1/4"	8	11	24	20	11	14	26
3140LL388-G	R3/8"	8	11,5	27	24	13	14	36
3140LL1410-G	R1/4"	10	11	32	23,5	13	19	48
3140LL3810-G	R3/8"	10	11,5	32	24	13	19	52
3140LL1210-G	R1/2"	10	14	34	28,5	15	19	66
3140LL3812-G	R3/8"	12	11,5	34,5	25,5	15	22	69
3140LL1212-G	R1/2"	12	14	34,5	28,5	15	22	74
3140LL1214-G	R1/2"	14	14	38	30	17	27	106
3140LL1215-G	R1/2"	15	14	38	30	17	27	100
3140LL1216-G	R1/2"	16	14	39,5	31,5	19	30	124
3140LL1218-G	R1/2"	18	14	44	34	22	32	156



3150-G

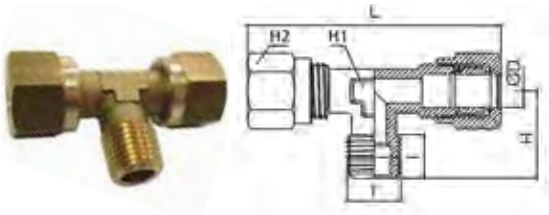
Female elbow BSPP thread



CODE	T	ØD	I	L	H	H1	H2	GR.
3150LL184-G	G1/8"	4	8	22	20	9	10	18
3150LL186-G	G1/8"	6	8	24	20	9	12	20
3150LL146-G	G1/4"	6	11	27	25,5	13	12	40
3150LL188-G	G1/8"	8	8	24	20	11	14	26
3150LL148-G	G1/4"	8	11	27,5	25,5	13	14	40

3160-G

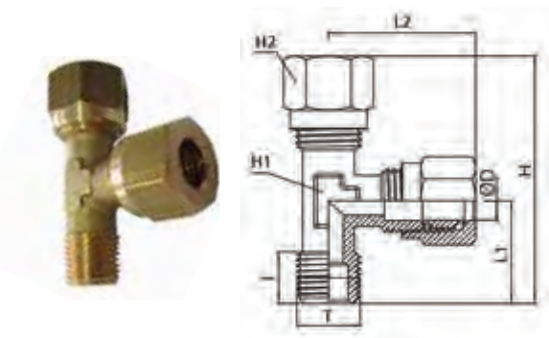
Male tee BSPT thread



CODE	T	ØD	I	L	H	H1	H2	GR.
3160LL184-G	R1/8"	4	8	42	16	9	10	22
3160LL186-G	R1/8"	6	8	46	16	9	12	26
3160LL146-G	R1/4"	6	11	48	20	11	12	34
3160LL188-G	R1/8"	8	8	48	17	11	14	34
3160LL148-G	R1/4"	8	11	48	20	11	14	38
3160LL388-G	R3/8"	8	11,5	54	24	13	14	52
3160LL1410-G	R1/4"	10	11	64	23,5	13	19	80
3160LL3810-G	R3/8"	10	11,5	64	24	13	19	84
3160LL3812-G	R3/8"	12	11,5	69	25,5	15	22	108
3160LL1212-G	R1/2"	12	14	69	28,5	15	22	116
3160LL1214-G	R1/2"	14	14	76	30	17	27	176
3160LL1215-G	R1/2"	15	14	76	30	17	27	170
3160LL1216-G	R1/2"	16	14	79	31,5	19	30	212
3160LL1218-G	R1/2"	18	14	88	34	22	32	256

3170-G

Lateral male tee BSPT thread



CODE	T	ØD	I	L1	L2	H	H1	H2	GR.
3170LL184-G	R1/8"	4	8	16	21	37	9	10	22
3170LL186-G	R1/8"	6	8	16	23	39	9	10	26
3170LL146-G	R1/4"	6	11	20	24,5	44,5	11	12	34
3170LL188-G	R1/8"	8	8	17	24	41	11	14	34
3170LL148-G	R1/4"	8	11	20	24	44	11	14	38
3170LL388-G	R3/8"	8	11,5	24	27	51	13	14	52
3170LL1410-G	R1/4"	10	11	23,5	32	55,5	13	19	80
3170LL3810-G	R3/8"	10	11,5	24	32	56	13	19	84
3170LL3812-G	R3/8"	12	11,5	25,5	34,5	60	15	22	110
3170LL1212-G	R1/2"	12	14	28,5	34,5	63	15	22	118
3170LL1214-G	R1/2"	14	14	30	38	68	17	27	176
3170LL1215-G	R1/2"	15	14	30	38	68	17	27	170
3170LL1216-G	R1/2"	16	14	31,5	39,5	71	19	30	210
3170LL1218-G	R1/2"	18	14	34	44	78	22	32	256



3180-G

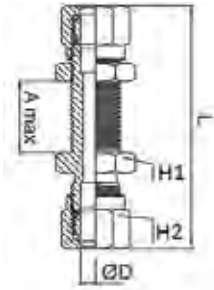
Union connector



CODE	ØD	L	H1	H2	GR.
3180LL4-G	4	33,5	10	10	16
3180LL6-G	6	36,5	12	12	20
3180LL8-G	8	38,5	14	14	28
3180LL10-G	10	47,5	17	19	66
3180LL12-G	12	50,5	19	22	84
3180LL14-G	14	55,5	24	27	148
3180LL15-G	15	55,5	24	27	140
3180LL16-G	16	58	24	30	177
3180LL18-G	18	60	26	32	198

3190-G

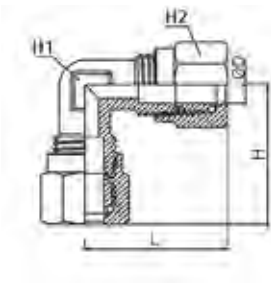
Bulkhead connector



CODE	ØD	A MAX	L	H1	H2	GR.
3190LL6-G	6	15,5	51,5	14	12	32
3190LL8-G	8	16,5	55,5	16	14	42
3190LL10-G	10	15,5	62,5	19	19	90
3190LL12-G	12	16	64,5	22	22	116
3190LL14-G	14	18	69,5	25	27	192
3190LL15-G	15	18	69,5	25	27	184

3200-G

Union elbow connector

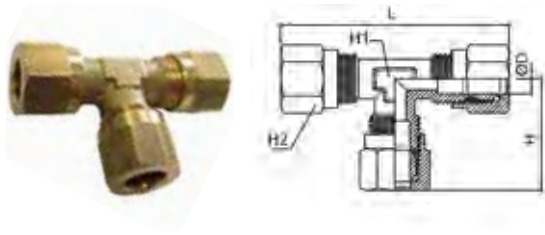


CODE	ØD	L	H	H1	H2	GR.
3200LL4-G	4	21	21	9	10	18
3200LL6-G	6	23	23	9	12	22
3200LL8-G	8	24	24	11	14	30
3200LL10-G	10	32	32	13	19	70
3200LL12-G	12	34,5	34,5	15	22	94
3200LL14-G	14	38	38	17	27	152
3200LL15-G	15	38	38	17	27	144
3200LL16-G	16	39,5	39,5	19	30	186
3200LL18-G	18	44	44	22	32	228



3210-G

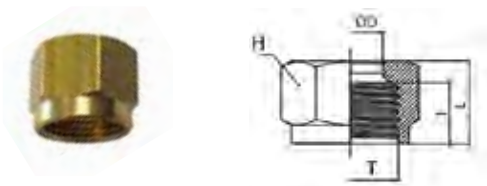
Union tee connector



CODE	ØD	L	H	H1	H2	GR.
3210LL4-G	4	42	21	9	10	26
3210LL6-G	6	46	23	9	12	30
3210LL8-G	8	48	24	11	14	42
3210LL10-G	10	64	32	13	19	102
3210LL12-G	12	69	34,5	15	22	136
3210LL14-G	14	76	38	17	27	226
3210LL15-G	15	76	38	17	27	208
3210LL16-G	16	79	39,5	19	30	272
3210LL18-G	18	88	44	22	32	330

3230-G

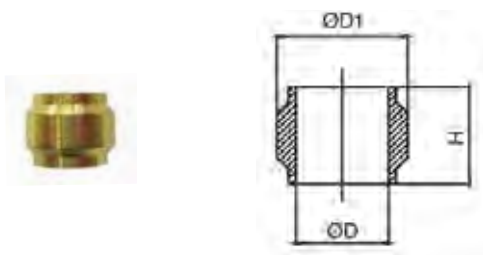
Locking nut



CODE	T	ØD	I	L	H	GR.
3230LLM814-G	M8X1	4	7,5	11	10	4,2
3230LLM1016-G	M10X1	6	8,5	11,5	12	5,5
3230LLM1218-G	M12X1	8	9	12	14	7
3230LLM161510-G	M16X1,5	10	11,5	15,5	19	18
3230LLM181512-G	M18X1,5	12	11,5	15,5	22	25
3230LLM221514-G	M22X1,5	14	12	17,5	27	44
3230LLM221515-G	M22X1,5	15	12	17	27	42
3230LLM241516-G	M24X1,5	16	12	17,5	30	56
3230LLM261518-G	M26X1,5	18	12,5	18,5	32	64

3240-G

Ferrule

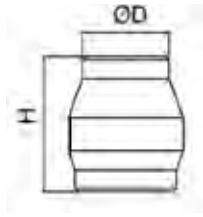


CODE	ØD	ØD1	H	GR.
3240LL4-G	4	7	6	1
3240LL6-G	6	8,5	6,5	1,5
3240LL8-G	8	11	7	2
3240LL10-G	10	13	8	2,5
3240LL12-G	12	15	8,5	3
3240LL14-G	14	17	8,5	3,5
3240LL15-G	15	18	8,5	4
3240LL16-G	16	19	9	4,5
3240LL18-G	18	21	9,5	5



3245-G

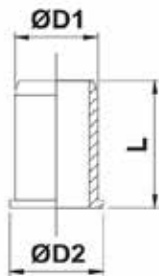
Plug for universal fitting



CODE	ØD	H	GR.
3245LL4-G	4	9	-
3245LL6-G	6	9,5	-
3245LL8-G	8	9,5	-
3245LL10-G	10	11	-
3245LL12-G	12	11,5	-
3245LL14-G	14	13,5	-
3245LL15-G	15	13,5	-
3245LL16-G	16	13,5	-
3245LL18-G	18	15	-

3250

Support bush



CODE	TUBO OD	D1	D2	L	GR.
3250TR4	4	2,5	3,5	10,0	0,20
3250TR6	6	4,0	5,5	12,0	0,60
3250TR8	8	6,0	7,5	13,0	1,00
3250TR10	10	8,0	9,5	14,0	1,40
3250TR12	12	10,0	11,5	16,0	2,20
3250TR14	14	12,0	13,5	16,0	2,60
3250TR15	15	12,5	14,5	17,0	2,80
3250TR16	16	14,0	15,5	18,0	3,40

