



## Overflow valve III° stage

S33F

### PRESENTATION:

Stainless steel high sensitivity overflow valve suitable for the use with different types of fluids.

In the standard version the product is designed to operate with pressures up to 3 bar.

The control of the inlet pressure is realized by means of a diaphragm.

The connections are made by flanges screwed to the body.

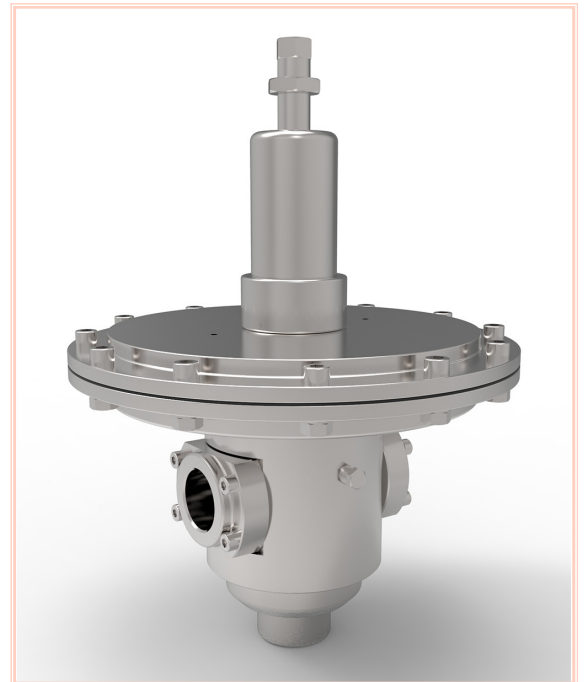
USE: Compressed air and gas

CONNECTIONS: 1 1/2" ÷ 2"  
(DIN | ANSI flanged and TRI-CLAMP connections available on request)

### OVERFLOW VALVE FEATURES:

Inlet pressure	0,02 ÷ 3 bar
Operating temperature	- 20°C + 60°C
Kv nominal	22,92 m <sup>3</sup> /h (UNI 60534-2)
Weight	~31 Kg

The product is compliant with PED Directive 2014/68/UE



### MATERIALS:

Body and bonnet	AISI 316L
Internal parts	AISI 316L
Adjusting spring (not in contact with the fluid)	C85 treated
O-Ring and shutter gasket (different compounds available on request)	FPM
Diaphragm	NBR+PTFE

### MAINTENANCE KIT:

KS33F repair kit available on request.

Kit contains: shutter assembly, O-ring and diaphragm assembly.

### Note

Chemical compatibility fluids/materials, has to be verified at RFQ stage with ODE sales dept.

"ODE" reserves the right to carry out technical and aesthetic modifications without prior notice.

S 3 3 F # N N N N N N N N N N

Model

**Connections**

S	0	G 1 1/2 - F
T	0	G 2 - F
Z	0	1 1/2 NPT - F
G	0	2 NPT - F
0	1	SO ANSI 150 RF 1 1/2"
0	6	SO ANSI 150 RF 2"
0	5	SO ANSI 300 RF 125-250A ARH 1.1/2"
1	2	SO ANSI 300 RF 2"
0	8	SO ANSI 600 RF 1 1/2"
0	4	SO ANSI 600 RF 2"
0	3	EN1092-1/01B/DN40/PN40
0	7	EN1092-1/01B/DN50/PN40
1	3	EN1092-1/01B/DN65/PN40
1	0	EN1092-1/01B/DN50/PN63
1	Q	EN1092-1/01B/DN40/PN100
1	4	SW ANSI 300 RF 1" 1/2 F316/L SCH 40
1	1	TRI-CLAMP 2.1/2"

**Overflow pressure**

R	0	20 ÷ 50 mbar
U	0	50 ÷ 150 mbar
L	0	150 ÷ 300 mbar
B	0	0,3 ÷ 3 bar

**Accessories**

0	0	-
0	4	Fixed calibration
0	5	Precalibrated
0	6	With pressure gauge
0	8	Degreased use O <sub>2</sub>
1	6	O-Ring FDA compliance

**Certifications**

R	0	CE
U	0	CE+Atex 2014/34/UE
Y	0	CE+EAC TR CU 032/2013 <sup>(1)</sup>
V	0	CE+EAC TR CU 012/2011 <sup>(1)</sup>

<sup>(1)</sup> version certifiable on request

**Seal**

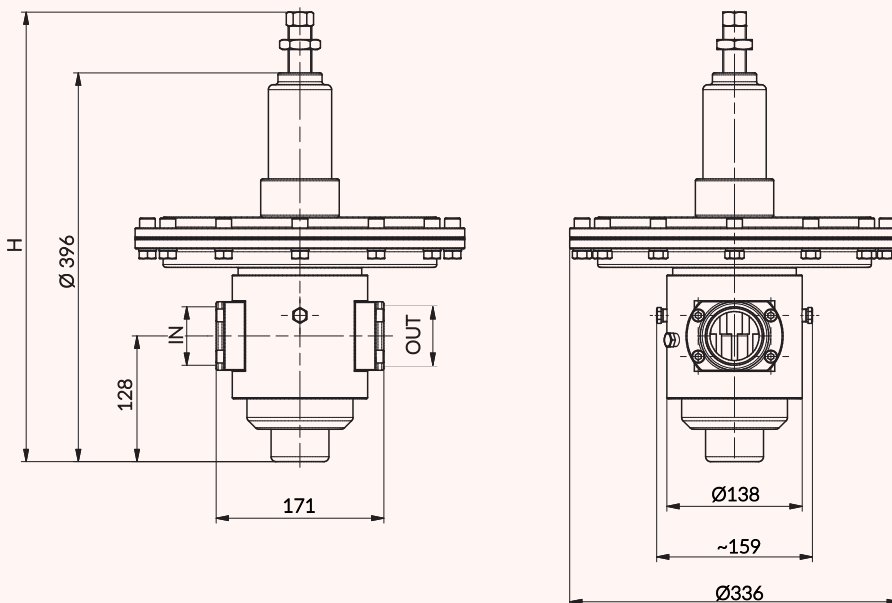
9	9	FPM
1	7	NBR for liquids
1	8	EPDM for liquids
1	9	FPM for liquids
8	9	EPDM CAT. I
9	2	FPM CAT. I
9	5	NBR CAT. I
9	7	NBR
9	8	EPDM

**standard versions**

versions available on request

**DIMENSIONS:**

version with connections 1 1/2" ÷ 2"



Pressure Range	H mm
20 - 300 mbar	~ 460
0,3 - 3 bar	~ 420

For other versions, please contact ODE Sales Office