



## Overflow valve III° stage

S32F

### PRESENTATION:

Aluminum high sensitivity overflow valve suitable for the use with different types of fluids.  
In the standard version the product is designed to operate with pressures up to 3 bar.  
The control of the inlet pressure is realized by means of a diaphragm.  
The connections are made by flanges screwed to the body.

USE: Compressed air and gas

CONNECTIONS: 1 1/2" ÷ 2"  
(DIN and ANSI flanged connections available on request)

### OVERFLOW VALVE FEATURES:

Inlet pressure	0,02 ÷ 3 bar
Operating temperature	- 20°C + 60°C
Kv nominal	22,92 m <sup>3</sup> /h (UNI 60534-2)
Weight	~12,3 Kg (for P. range 50 - 300 mbar) ~14,5 Kg (for P. range 0,3 - 3 bar)



The product is compliant with PED Directive 2014/68/UE

### MATERIALS:

Body and bonnet	Aluminum
Internal parts	Brass
Adjusting spring (not in contact with the fluid)	C85
O-Ring and shutter gasket (different compounds available on request)	NBR
Diaphragm	NBR+PTFE

### MAINTENANCE KIT:

KS32F repair kit available on request.  
Kit contains: shutter assembly, O-ring and diaphragm assembly.

Note  
Chemical compatibility fluids/materials, has to be verified at RFQ stage with ODE sales dept.

"ODE" reserves the right to carry out technical and aesthetic modifications without prior notice.

S 3 2 F # N N N N N N N N N N N N

Model

**Connections**

S	0	G 1 1/2 - F
T	0	G 2 - F
Z	0	1 1/2 NPT- F
G	0	2 NPT - F
0	1	EN1092-1/01B/DN50/PN40

**Overflow pressure**

R	0	20 ÷ 50 mbar
U	0	50 ÷ 150 mbar
L	0	150 ÷ 300 mbar
B	0	0,3 ÷ 3 bar

**Accessories**

0	0	-
0	4	Fixed calibration
0	5	Precalibrated
0	6	With pressure gauge
0	8	Degreased use O <sub>2</sub>
1	6	O-Ring FDA compliance

**Certifications**

R	0	CE
U	0	CE+Atex 2014/34/UE <sup>(1)</sup>
Y	0	CE+EAC TR CU 032/2013 <sup>(1)</sup>
V	0	CE+EAC TR CU 012/2011 <sup>(1)</sup>

<sup>(1)</sup> version certifiable on request

**Seal**

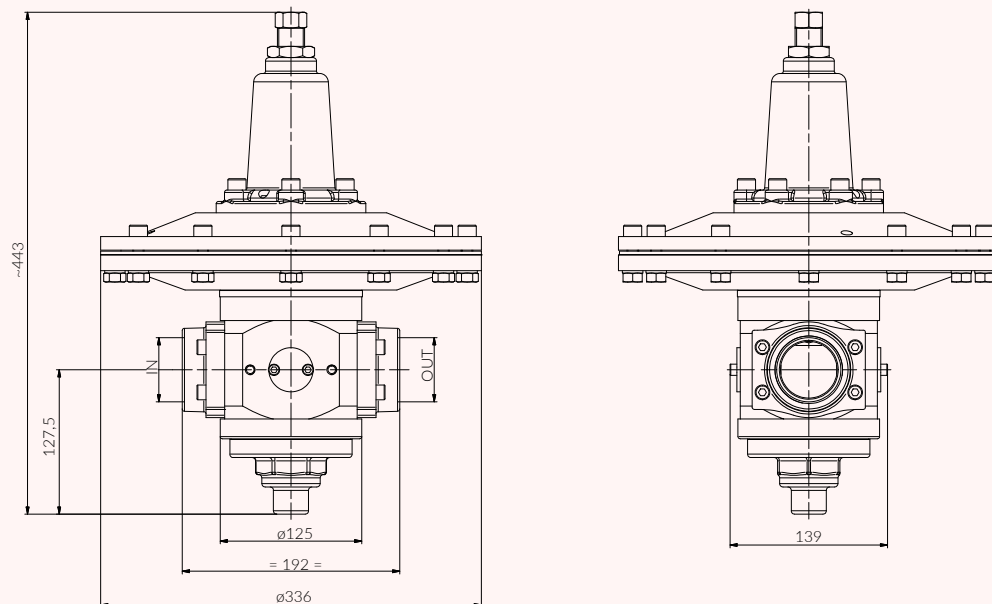
9	7	NBR
1	7	NBR for liquids
8	9	EPDM CAT.I
9	2	FPM CAT.I
9	5	NBR CAT.I
9	8	EPDM
9	9	FPM

standard versions

versions available on request

**DIMENSIONS**

version with connections 1 1/2" ÷ 2"



For other versions, please contact ODE Sales Office