



## Overflow valve III° stage

S32D

### PRESENTATION:

Aluminum high sensitivity overflow valve suitable for the use with different types of fluids.  
In the standard version the product is designed to operate with pressures up to 1.2 bar.  
The control of the inlet pressure is realized by means of a diaphragm.  
The connections are made by flanges screwed to the body.

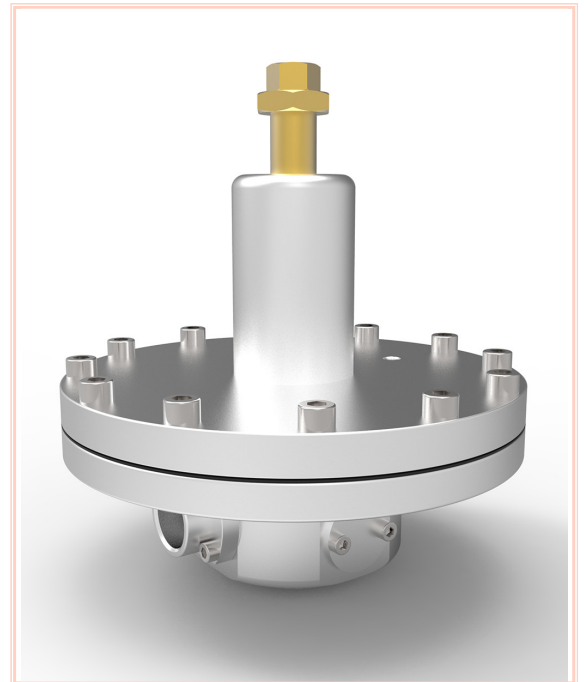
USE: Compressed air and gas

CONNECTIONS: 3/4" ÷ 1 1/2"  
(DIN and ANSI flanged connections available on request)

### OVERFLOW VALVE FEATURES:

Inlet pressure	0 ÷ 1,2 bar
Operating temperature	- 20°C + 80°C
Kv nominal	3,13 m <sup>3</sup> /h (UNI 60534-2)
Weight	~6,9 Kg

The product is compliant with PED Directive 2014/68/UE



### MATERIALS:

Body and bonnet	Anodized aluminum
Internal parts	Aluminum / AISI 316L
Adjusting spring (not in contact with the fluid)	C85 treated
O-Ring and shutter gasket (different compounds available on request)	FPM
Diaphragm	NBR+PTFE

### MAINTENANCE KIT:

KS32D repair kit available on request.  
Kit contains: shutter assembly, O-ring and diaphragm assembly.

#### Note

Chemical compatibility fluids/materials, has to be verified at RFQ stage with ODE sales dept.

"ODE" reserves the right to carry out technical and aesthetic modifications without prior notice.

S 3 2 D # N N N N N N N N N N N N

Model

**Connections**

Q	0	G 3/4 - F
R	0	G 1 - F
J	0	G 1 1/4 - F
S	0	G 1 1/2 - F
X	0	3/4 NPT- F
Y	0	1 NPT - F
B	0	1 1/4 NPT- F
Z	0	1 1/2 NPT- F
1	Z	SO ANSI 150 RF 1"
2	S	SO ANSI 300 RF 1"
1	5	SO ANSI 600 RF 1/2"
4	I	SO ANSI 600 RF 1 1/2"
5	W	SO ANSI 1500 1"
0	R	EN 1092-1/01B/DN20/PN40
0	S	EN 1092-1/01B/DN25/PN40
1	M	EN 1092-1/01B/DN25/PN63

**Overflow pressure**

Q	R	0 ÷ 300 mbar
T	R	0 ÷ 700 mbar
Y	R	0 ÷ 1,2 bar

**Accessories**

0	0	-
0	4	Fixed calibration
0	5	Precalibrated
0	6	With pressure gauge
0	8	Degreased use O <sub>2</sub>
1	6	O-Ring FDA compliance

**Certifications**

R	0	CE
U	0	CE+Atex 2014/34/UE <sup>(1)</sup>
Y	0	CE+EAC TR CU 032/2013 <sup>(1)</sup>
V	0	CE+EAC TR CU 012/2011 <sup>(1)</sup>

<sup>(1)</sup> version certifiable on request

**Seal**

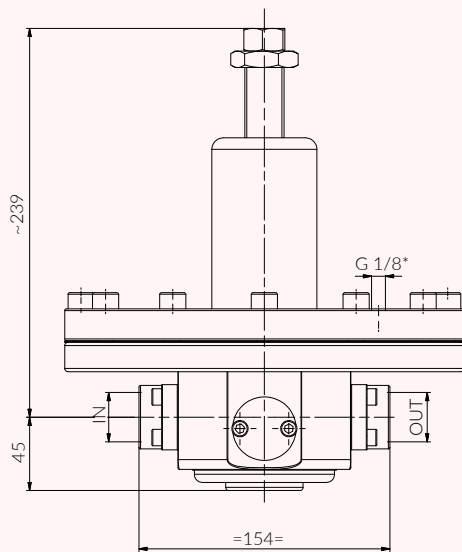
9	9	FPM
1	8	EPDM for liquids
1	9	FPM for liquids
8	9	EPDM CAT. I
9	2	FPM CAT. I
9	5	NBR CAT. I
9	7	NBR
9	8	EPDM

**standard versions**

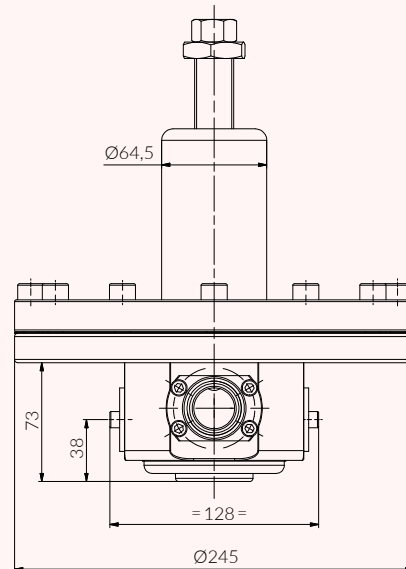
versions available on request

**DIMENSIONS**

version with connections 3/4" ÷ 1"



\*WHEN REQUIRED.



For other versions, please contact ODE Sales Office