



Overflow valve II° stage

S23D

PRESENTATION:

Stainless steel overflow valve suitable for the use with different types of fluids.

In the standard version the product is designed to operate with pressures up to 50 bar.

The control of the inlet pressure is realized by means of a:

- › diaphragm up to 15 bar;
- › piston for pressure above 15 bar.

The connections are made by flanges screwed to the body.

USE:

Compressed air, gas and liquids

CONNECTIONS:

3/4" ÷ 1 1/2"

(DIN and ANSI flanged connections available on request)

OVERFLOW VALVE FEATURES:

Inlet pressure	0 ÷ 50 bar
Operating temperature	- 20°C + 80°C
Kv nominal	7,11 m ³ /h (UNI 60534-2)
Weight	~9,4 Kg (with diaphragm) ~10,2 Kg (with piston)

The product is compliant with PED Directive 2014/68/UE

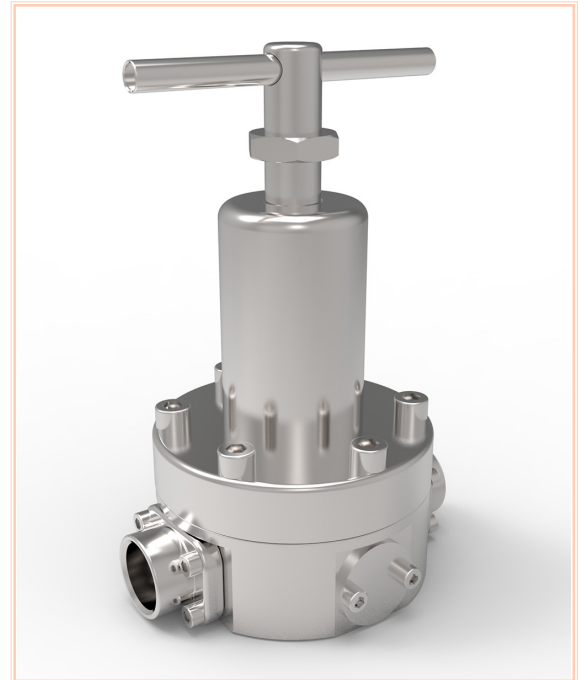
MATERIALS:

Body and bonnet	AISI 316L
Internal parts	AISI 316L
Adjusting spring (not in contact with the fluid)	C85 treated
O-Ring and shutter gasket (different compounds available on request)	FPM
Piston	AISI 316L+FPM
Diaphragm	NBR+PTFE

MAINTENANCE KIT:

KS23D repair kit available on request.

Kit contains: shutter assembly, O-ring and diaphragm assembly.



Note

Chemical compatibility fluids/materials, has to be verified at RFQ stage with ODE sales dept.

"ODE" reserves the right to carry out technical and aesthetic modifications without prior notice.

S 2 3 D # N N N N N N N N N N

Model

Connections

Q	0	G 3/4 - F
R	0	G 1 - F
X	0	3/4 NPT - F
Y	0	1 NPT - F
J	0	G 1 1/4 - F
S	0	G 1 1/2 - F
B	0	1 1/4 NPT - F
Z	0	1 1/2 NPT - F
1	Z	SO ANSI 150 RF 1"
2	B	SO ANSI 150 RF 1 1/2"
2	S	SO ANSI 300 RF 1"
4	I	SO ANSI 600 RF 1 1/2"
5	W	SO ANSI 1500 RF 1"
0	R	EN1092-1/01B/DN20/PN40
0	S	EN1092-1/01B/DN25/PN40
1	M	EN1092-1/01B/DN25/PN63/100

Overflow pressure

A	R	0 ÷ 1,5 bar
B	R	0 ÷ 3 bar
D	R	0 ÷ 8 bar
E	R	0 ÷ 15 bar
F	R	0 ÷ 30 bar
G	R	0 ÷ 50 bar

Accessories

0	0	-
0	4	Fixed calibration
0	5	Precalibrated
0	6	With pressure gauge
0	8	Degreased use O ₂
1	6	O-Ring FDA compliance

Certifications

R	0	CE
U	0	CE+Atex 2014/34/UE
Y	0	CE+EAC TR CU 032/2013 ⁽¹⁾
V	0	CE+EAC TR CU 012/2011 ⁽¹⁾

⁽¹⁾ version certifiable on request

Seal

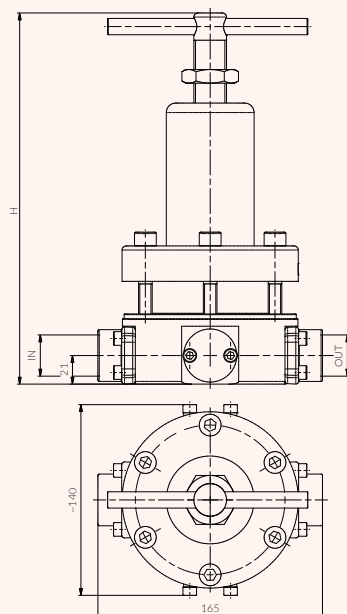
9	2	FPM CAT.I
1	5	FPM use O ₂ CAT.II
1	8	EPDM for liquids
1	9	FPM for liquids
8	9	EPDM CAT.I
9	0	EPDM CAT.II
9	3	FPM CAT.II
9	5	NBR CAT.I
9	6	NBR CAT.II

standard versions

versions available on request

DIMENSIONS:

version with connections 3/4" ÷ 1"



Model	H mm
Diaphragm	~ 257
Piston	~ 271

For other versions, please contact ODE Sales Office