

PRESENTATION:

Brass overflow valve suitable for the use with different types of fluids.

In the standard version the product is designed to operate with pressures up to 50 bar.

The control of the inlet pressure is realized by means of a:

- › diaphragm up to 15 bar;
- › piston for pressure above 15 bar.

The connections are made by flanges screwed to the body.

USE: Compressed air, gas and liquids

CONNECTIONS: 1 1/2" ÷ 2"

OVERFLOW VALVE FEATURES:

| | |
|-----------------------|---|
| Inlet pressure | 0,2 ÷ 50 bar |
| Operating temperature | - 20°C + 60°C |
| Kv nominal | 22,92 m ³ /h (UNI 60534-2) |
| Weight | ~14 Kg (with diaphragm) ~16 Kg (to piston) |

The product is compliant with PED Directive 2014/68/UE

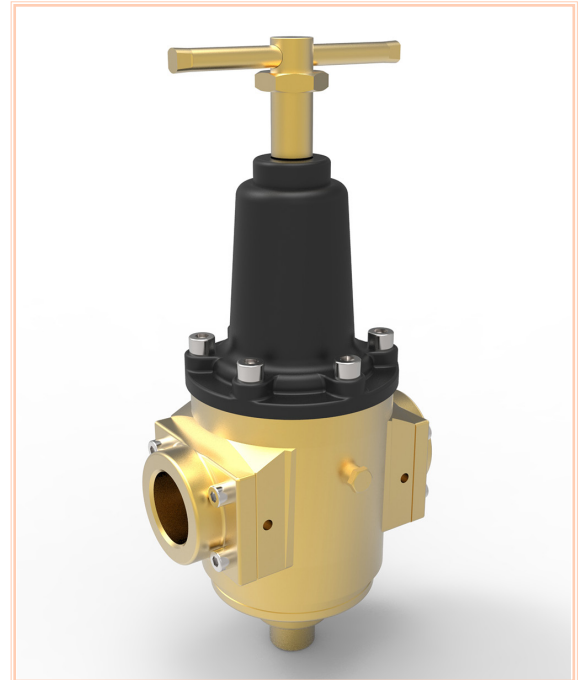
MATERIALS:

| | |
|---|---|
| Body | Brass |
| Bonnet | Aluminum |
| Internal parts | Brass |
| Adjusting spring (not in contact with the fluid) | C85 |
| O-Ring and shutter gasket (different compounds available on request) | NBR (for pressure above 30 bar, PA66 gasket) |
| Piston | Brass |
| Diaphragm | NBR+PTFE |

MAINTENANCE KIT:

KS21F repair kit available on request.

Kit contains: shutter assembly, O-ring and diaphragm assembly.



Note

Chemical compatibility fluids/materials, has to be verified at RFQ stage with ODE sales dept.

"ODE" reserves the right to carry out technical and aesthetic modifications without prior notice.

ORDERING CODE S21F

S 2 1 F # N N N N N N N N N N N N

Model

Connections

| | | |
|---|---|-------------|
| S | 0 | G 1 1/2 - F |
| T | 0 | G 2 - F |

Overflow pressure

| | | |
|---|---|---------------|
| A | 0 | 0,2 ÷ 1,5 bar |
| B | 0 | 0,3 ÷ 3 bar |
| D | 0 | 0,8 ÷ 8 bar |
| E | 0 | 1,5 ÷ 15 bar |
| F | 0 | 3 ÷ 30 bar |
| G | 0 | 5 ÷ 50 bar |

Accessories

| | | |
|---|---|------------------------------|
| 0 | 0 | - |
| 0 | 4 | Fixed calibration |
| 0 | 5 | Precalibrated |
| 0 | 6 | With pressure gauge |
| 0 | 8 | Degreased use O ₂ |
| 1 | 6 | O-Ring FDA compliance |

Certifications

| | | |
|---|---|--------------------------------------|
| R | 0 | CE |
| U | 0 | CE+Atex 2014/34/UE ⁽¹⁾ |
| Y | 0 | CE+EAC TR CU 032/2013 |
| V | 0 | CE+EAC TR CU 012/2011 ⁽¹⁾ |

⁽¹⁾ version certifiable on request

Seal

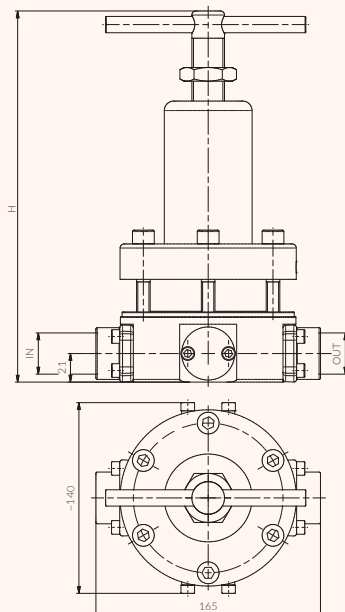
| | | |
|---|---|--------------------------------|
| 9 | 5 | NBR CAT.I |
| 1 | 5 | FPM use O ₂ CAT. II |
| 1 | 7 | NBR for liquids |
| 1 | 8 | EPDM for liquids |
| 1 | 9 | FPM for liquids |
| 8 | 9 | EPDM CAT. I |
| 9 | 0 | EPDM CAT. II |
| 9 | 2 | FPM CAT. I |
| 9 | 3 | FPM CAT. II |
| 9 | 6 | NBR CAT. II |

standard versions

versions available on request

DIMENSIONS:

version with connections 1 1/2" ÷ 2"



| Model | H mm |
|-----------|-------|
| Diaphragm | ~ 385 |
| Piston | ~ 400 |

For other versions, please contact ODE Sales Office