



Overflow valve II° stage

S21B

PRESENTATION:

Brass overflow valve suitable for the use with different types of fluids.

In the standard version the product is designed to operate with pressures up to 50 bar.

The control of the inlet pressure is realized by means of a:

- › diaphragm up to 15 bar;
- › piston for pressure above 15 bar.

USE: Compressed air, gas and liquids

CONNECTIONS: 1/4" ÷ 3/8"

OVERFLOW VALVE FEATURES:

Inlet pressure	0,2 ÷ 50 bar
Operating temperature	- 20°C + 60°C
Kv nominal	0,66 m ³ /h (UNI 60534-2)
Weight	~1,2 Kg (with diaphragm) ~1,4 Kg (with piston)

The product is compliant with PED Directive 2014/68/UE

MATERIALS:

Body and bonnet	Brass
Adjusting knob	PA66
Internal parts	Brass
Adjusting spring (not in contact with the fluid)	AISI 302 o C85
O-Ring and shutter gasket (different compounds available on request)	NBR
Piston	Brass
Diaphragm	NBR+PTFE

MAINTENANCE KIT:

KS21B repair kit available on request.

Kit contains: shutter assembly, O-ring and diaphragm assembly.



Note

Chemical compatibility fluids/materials, has to be verified at RFQ stage with ODE sales dept.

"ODE" reserves the right to carry out technical and aesthetic modifications without prior notice.

S 2 1 B # N N N N N N N N N N N N

Model

Connections

N	0	G 1/4 - F
L	0	G 3/8 - F
V	0	1/4 NPT - F

Overflow pressure

A	0	0,2 ÷ 1,5 bar
B	0	0,3 ÷ 3 bar
D	0	0,8 ÷ 8 bar
E	0	1,5 ÷ 15 bar
F	0	3 ÷ 30 bar
G	0	5 ÷ 50 bar

Accessories

0	0	-
0	4	Fixed calibration
0	5	Precalibrated
0	6	With pressure gauge
0	8	Degreased use O ₂
1	6	O-Ring FDA compliance

Certifications

R	0	CE
U	0	CE+Atex 2014/34/UE
Y	0	CE+EAC TR CU 032/2013 ⁽¹⁾
V	0	CE+EAC TR CU 012/2011 ⁽¹⁾

⁽¹⁾ version certifiable on request

Seal

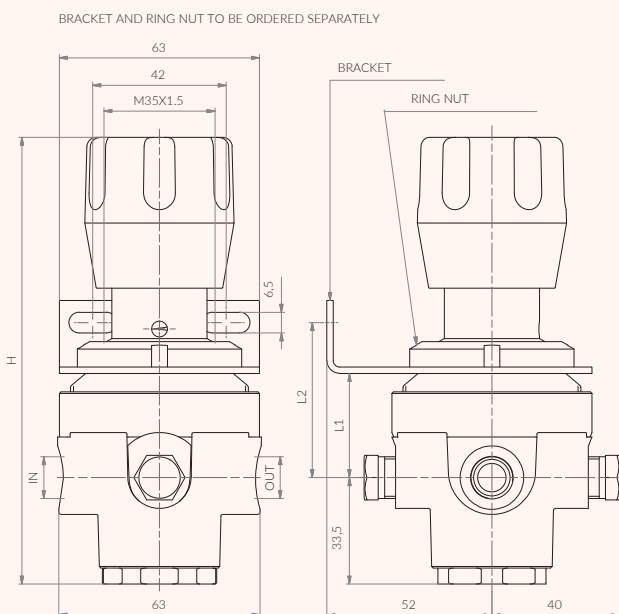
9	5	NBR CAT.I
1	5	FPM use O ₂
1	7	NBR for liquids
1	8	EPDM for liquids
1	9	FPM for liquids
9	8	EPDM
9	9	FPM

standard versions

versions available on request

DIMENSIONS:

version with connections 1/4" ÷ 3/8"



Model	H mm	L1 mm	L2 mm
Diaphragm	~ 140	33	49
Piston (3 ÷ 30 bar)	~ 141	34	50
Piston (5 ÷ 50 bar)	~ 156	49	65

For other versions, please contact ODE Sales Office