



PRESENTATION:

Stainless steel overflow valve suitable for the use with different types of fluids.

In the standard version the product is designed to operate with pressures up to 200 bar.

The control of the inlet pressure is realized by means of a piston. The threaded connections are screwed to the body.

USE: Compressed air, gas and liquids

CONNECTIONS: 3/4" ÷ 1"
(DIN and ANSI flanged connections available on request)

OVERFLOW VALVE FEATURES:

Inlet pressure	0 ÷ 200 bar
Operating temperature	- 20°C + 60°C
Kv nominal	1,59 m ³ /h (UNI 60534-2)
Weight	~12,3 Kg

The product is compliant with PED Directive 2014/68/UE



MATERIALS:

Body and bonnet	AISI 316L
Internal parts	AISI 316L
Adjusting spring (not in contact with the fluid)	C85
O-Ring (different compounds available on request)	FPM
Shutter gasket	PA66
Piston	AISI 316L

MAINTENANCE KIT:

KS13D repair kit available on request.

Kit contains: shutter assembly and O-ring.

Note

Chemical compatibility fluids/materials, has to be verified at RFQ stage with ODE sales dept.

"ODE" reserves the right to carry out technical and aesthetic modifications without prior notice.

S 1 3 D # N N N N N N N N N N N N

Model

Connections

Q	M	G 3/4 - M
R	M	G 1 - M
X	M	3/4 NPT - M
Y	M	1 NPT - M
7	A	SO ANSI 2500 RJ 3/4"

Overflow pressure

V	R	0 ÷ 200 bar
X	R	0 ÷ 100 bar
Z	R	0 ÷ 250 bar

Accessories

0	0	-
0	4	Fixed calibration
0	5	Precalibrated
0	8	Degreased use O ₂
1	6	O-Ring FDA compliance

Certifications

R	0	CE
U	0	CE+Atex 2014/34/UE
Y	0	CE+EAC TR CU 032/2013 ⁽¹⁾
V	0	CE+EAC TR CU 012/2011 ⁽¹⁾

⁽¹⁾ version certifiable on request

Seal

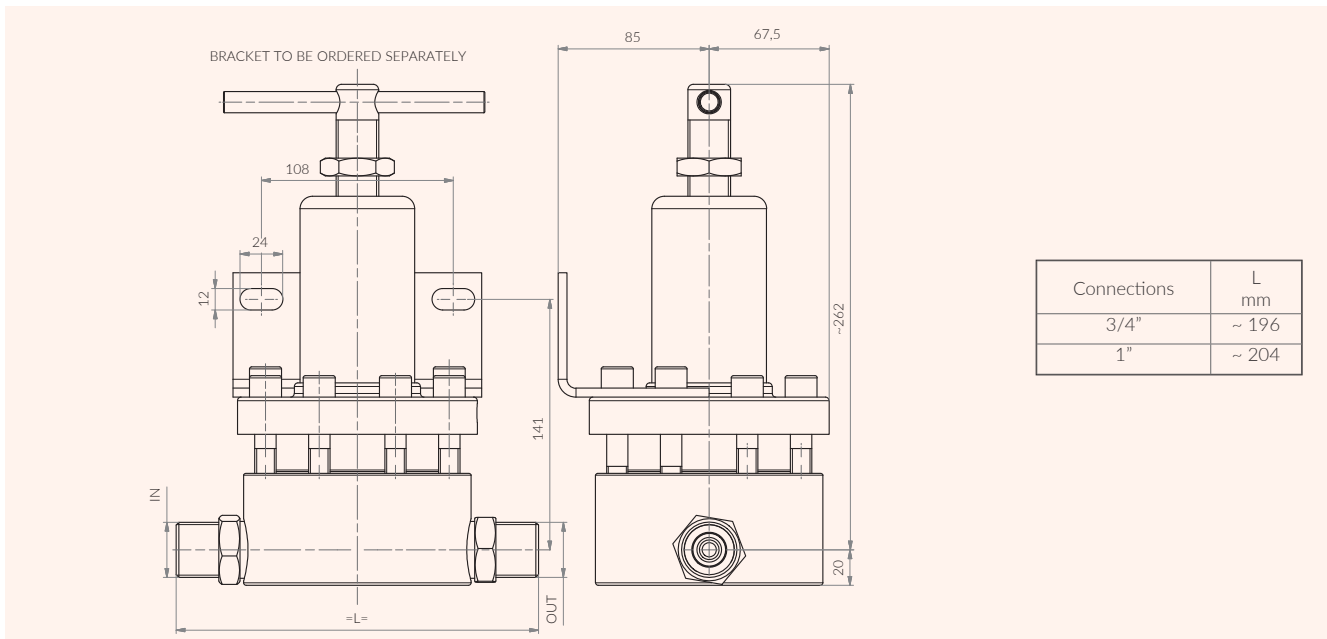
9	9	FPM
8	8	NBR CAT. III
9	1	EPDM CAT. III
9	4	FPM CAT. III
9	7	NBR
9	8	EPDM

standard versions

versions available on request

DIMENSIONS:

version with connections 3/4" - 1"



For other versions, please contact ODE Sales Office