



# Pressure reducer II° stage - "Dome" loaded

RP3D

## PRESENTATION:

Stainless steel piloted pressure reducer suitable for the use with different types of fluids.

In the standard version the product is designed to operate with pressures up to 50 bar.

The control of the outlet pressure is realized by means of a:

- › diaphragm up to 15 bar;
- › piston for pressure above 15 bar.

The connections are made by flanges screwed to the body.

USE: Compressed air, gas and liquids

CONNECTIONS: 3/4" ÷ 1 1/2"  
(DIN and ANSI flanged connections available on request)

## PRESSURE REDUCER FEATURES:

Inlet pressure	up to 50 bar
Outlet pressure	0 ÷ 50 bar
Kv nominal	9,76 m <sup>3</sup> /h (UNI 60534-2)
Operating temperature	- 20°C + 80°C
Shutter leakage class	classe A (EN 12266-1)
Weight	~7,6 Kg (with diaphragm) ~10,1 Kg (with piston)

The product is compliant with PED Directive 2014/68/UE

## MATERIALS:

Body and bonnet	AISI 316L
Internal parts	AISI 316L
Shutter spring	AISI 302
O-Ring and shutter gasket	FPM
<small>(different compounds available on request)</small>	
Piston	AISI 316L
Diaphragm	NBR+PTFE

## MAINTENANCE KIT:

KRP3D repair kit available on request.

Kit contains: shutter assembly, O-ring and diaphragm assembly.



Note

Chemical compatibility fluids/materials, has to be verified at RFQ stage with ODE sales dept.

"ODE" reserves the right to carry out technical and aesthetic modifications without prior notice.

**R P 3 D # N N N N N N N N N N N N N N N N**

Model

**Connections**

Q	0	G 3/4 - F
R	0	G 1 - F
X	0	3/4 NPT - F
Y	0	1 NPT - F
J	0	G 1 1/4 - F
S	0	G 1 1/2 - F
B	0	1 1/4 NPT - F
Z	0	1 1/2 NPT - F
1	Z	SO ANSI 150 RF 1"
2	B	SO ANSI 150 RF 1"1/2
2	S	SO ANSI 300 RF 1"
4	I	SO ANSI 600 RF 1"1/2
5	W	SO ANSI 1500 RF 1"
0	R	EN1092-1/01B/DN20/PN40
0	S	EN1092-1/01B/DN25/PN40
1	M	EN1092-1/01B/DN25/PN63/100

**Inlet pressure**

E	0	50 bar
N	0	60 bar
F	0	40 bar

**Outlet pressure**

E	2	0 ÷ 15 bar
G	G	1 ÷ 50 bar

**Relieving function**

0	No Relieving
1	Relieving

**Accessories**

0	0	-
0	4	Fixed calibration
0	5	Precalibrated
0	6	With pressure gauge
0	8	Degreased use O <sub>2</sub>
1	1	Conveyed exhaust
1	6	O-Ring FDA compliance

**Certifications**

R	0	CE
U	0	CE+Atex 2014/34/UE
Y	0	CE+EAC TR CU 032/2013 <sup>(1)</sup>
V	0	CE+EAC TR CU 012/2011 (only for use with Gas)

<sup>(1)</sup> version certifiable on request

**Seal**

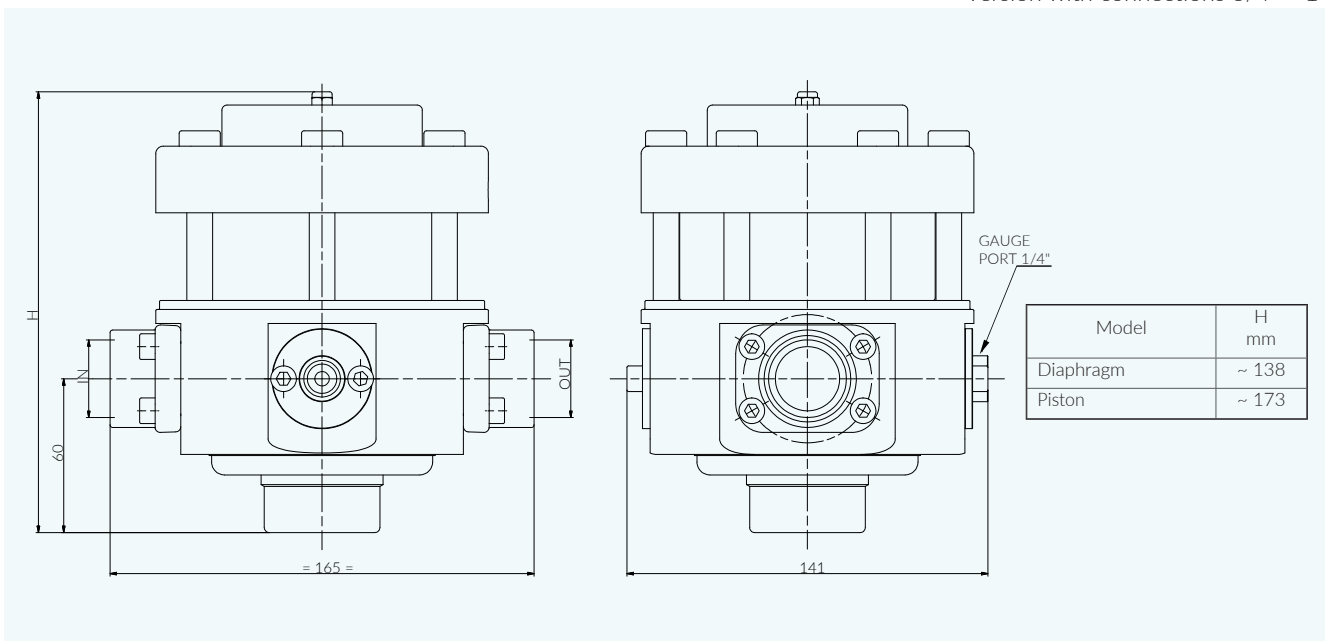
9	9	FPM
1	5	FPM use O <sub>2</sub>
1	8	EPDM for liquids
1	9	FPM for liquids
9	8	EPDM

**standard versions**

versions available on request

**DIMENSIONS:**

version with connections 3/4" ÷ 1"



For other versions, please contact ODE Sales Office