



Pressure reducer de III° stage

R33F

PRESENTATION:

Stainless steel pressure reducer suitable for the use with different types of fluids.

In the standard version the product is designed to operate with pressures up to 6 bar.

The control of the outlet pressure is realized by means of a diaphragm. The connections are made by flanges screwed to the body.

USE: Compressed air and gas

CONNECTIONS: 1 1/2" ÷ 2"
(DIN | ANSI flanges and TRI-CLAMP connections available on request)

PRESSURE REDUCER FEATURES:

Inlet pressure	up to 6 bar
Outlet pressure	20 ÷ 1000 mbar
Kv nominal (UNI 60534-2)	9,76 m ³ /h (for outlet P 20-150 mbar) 24,97 m ³ /h (for outlet P 150-300 100-1000 mbar)
Operating temperature	- 20°C + 60°C
Shutter leakage class	class A (EN 12266-1)
Weight	~35 Kg

The product is compliant with PED Directive 2014/68/UE

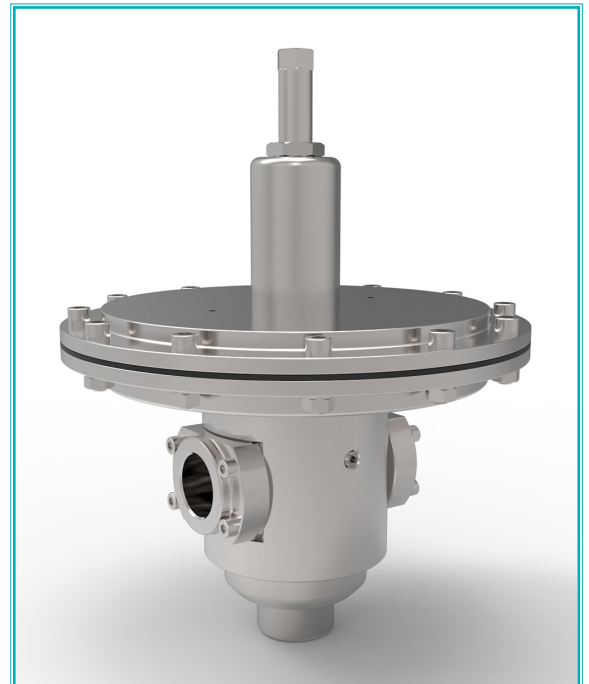
MATERIALS:

Body and bonnet	AISI 316L
Internal parts	AISI 316L
Shutter spring	AISI 302
Adjusting spring (not in contact with the fluid)	C85 treated
O-Ring and shutter gasket (different compounds available on request)	FPM
Diaphragm	NBR+PTFE

MAINTENANCE KIT:

KR33F repair kit available on request.

Kit contains: shutter assembly, O-ring and diaphragm assembly.



Note

Chemical compatibility fluids/materials, has to be verified at RFQ stage with ODE sales dept.

"ODE" reserves the right to carry out technical and aesthetic modifications without prior notice.

R 3 3 F # N N N N N N N N N N N N N N

Model

Connections

- S 0** G 1 1/2 - F
- T 0** G 2 - F
- Z 0** 1 1/2 NPT - F
- G 0** 2 NPT - F
- 0 1** SO ANSI 150 RF 1"1/2"
- 0 6** SO ANSI 150 RF 2"
- 0 5** SO ANSI 300 RF 125-250A ARH 1.1/2"
- 1 2** SO ANSI 300 RF 2"
- 0 8** SO ANSI 600 RF 1 1/2"
- 0 4** SO ANSI 600 RF 2"
- 0 3** EN1092-1/01B/DN40/PN40
- 0 7** EN1092-1/01B/DN50/PN40
- 1 3** EN1092-1/01B/DN65/PN40
- 1 0** EN1092-1/01B/DN50/PN63
- 1 Q** EN1092-1/01B/DN40/PN100
- 1 4** SW ANSI 300 RF 1" 1/2 F316/L SCH 40
- 1 1** TRI-CLAMP 2.1/2"

Inlet pressure

A 0 6 bar

Outlet pressure

- R 0** 20 ÷ 50 mbar
- U 0** 50 ÷ 150 mbar
- L 0** 150 ÷ 300 mbar
- B 0** 100 ÷ 1000 mbar

Accessories

- 0 0** -
- 0 4** Fixed calibration
- 0 5** Precalibrated
- 0 8** Degreased use O₂
- 1 6** O-Ring FDA compliance

Certifications

- R 0** CE
- U 0** CE+Atex 2014/34/UE
- Y 0** CE+EAC TR CU 032/2013
- V 0** CE+EAC TR CU 012/2011

Seal

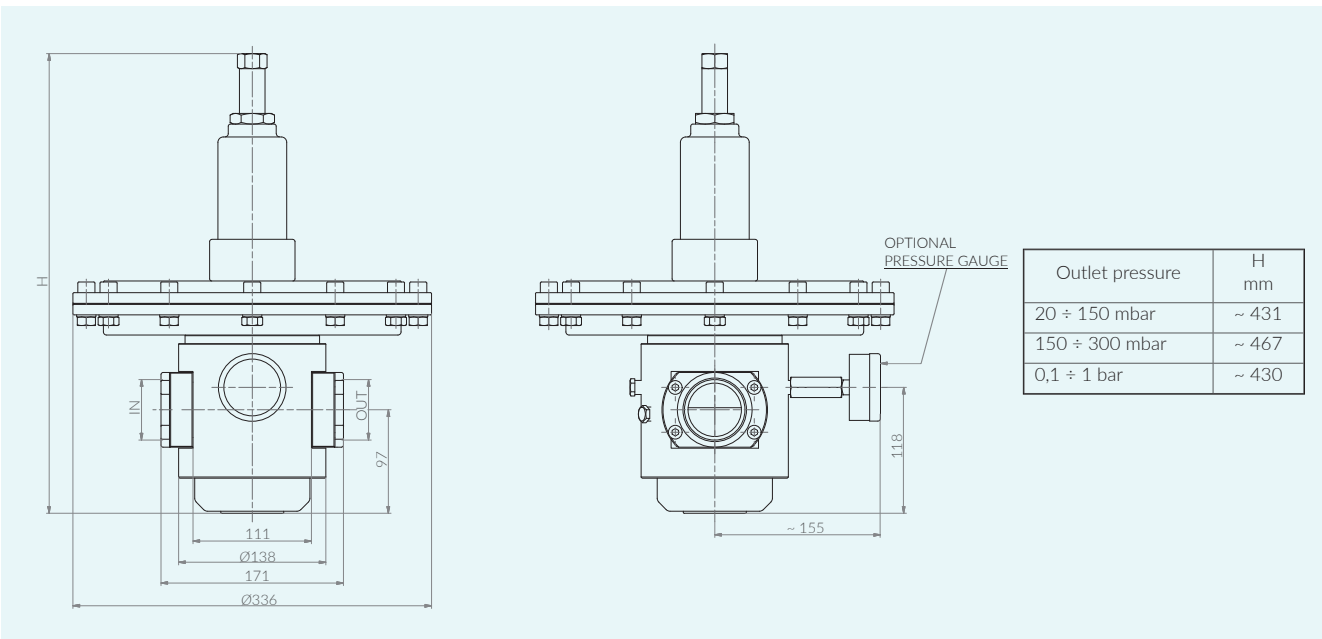
- 9 9** FPM
- 1 5** EPDM use O₂ CAT.I
- 9 4** FPM CAT.I
- 9 5** NBR CAT.I
- 9 6** EPDM CAT.I
- 9 7** NBR
- 9 8** EPDM

standard versions

versions available on request

DIMENSIONS:

version with connections 1 1/2" ÷ 2"



For other versions, please contact ODE Sales Office