



Pressure reducer III° stage

R33D

PRESENTATION:

Stainless steel pressure reducer suitable for the use with different types of fluids.

In the standard version the product is designed to operate with pressures up to 7 bar.

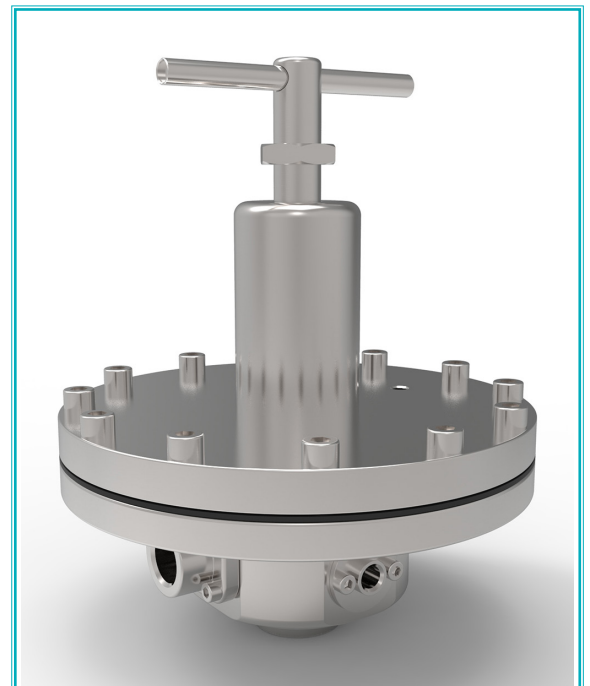
The control of the outlet pressure is realized by means of a diaphragm. The connections are made by flanges screwed to the body.

USE: Compressed air and gas

CONNECTIONS: 3/4" ÷ 1 1/2"
(DIN and ANSI flanged connections available on request)

PRESSURE REDUCER FEATURES:

Inlet pressure	up to 7 bar
Outlet pressure	5 ÷ 1200 mbar
Kv nominal (UNI 60534-2)	1,44 m ³ /h (for outlet P 5-400 mbar) 8,4 m ³ /h (for outlet P 15-700 mbar 0,2-1,2 bar)
Operating temperature	- 20°C + 80°C
Shutter leakage class	class A (EN 12266-1)
Weight	~ 15,1 Kg (for outlet P 5-400 mbar) ~ 16,5 Kg (for outlet P 15-700 mbar 0,2-1,2 bar)



The product is compliant with PED Directive 2014/68/UE

MATERIALS:

Body and bonnet	AISI 316L
Internal parts	AISI 316L
Shutter spring	AISI 302
Adjusting spring (not in contact with the fluid)	C85 treated
O-Ring and shutter gasket (different compound available on request)	FPM
Diaphragm	NBR + PTFE

MAINTENANCE KIT:

KR33D repair kit available on request.

Kit contains: shutter assembly, O-ring and diaphragm assembly.

Note

Chemical compatibility fluids/materials, has to be verified at RFQ stage with ODE sales dept.

"ODE" reserves the right to carry out technical and aesthetic modifications without prior notice.

R 3 3 D # N N N N N N N N N N N N N N

Model

Connections

- Q 0** G 3/4 - F
- R 0** G 1 - F
- J 0** G 1 1/4 - F
- S 0** G 1 1/2 - F
- X 0** 3/4 NPT - F
- Y 0** 1 NPT - F
- B 0** 1 1/4 NPT - F
- Z 0** 1 1/2 NPT - F
- 1 Z** SO ANSI 150 RF 1"
- 2 S** SO ANSI 300 RF 1"
- 1 5** SO ANSI 600 RF 1/2"
- 4 I** SO ANSI 600 RF 1 1/2"
- 5 W** SO ANSI 1500 1"
- 0 R** EN 1092-1/01B/DN20/PN40
- 0 S** EN 1092-1/01B/DN25/PN40
- 0 U** EN1092-1/01B/DN40/PN40
- 1 B** EN1092-1/01B/DN50/PN40
- 1 M** EN 1092-1/01B/DN25/PN63

Inlet pressure

I 0 7 bar

Outlet pressure

- N 0** 5 ÷ 45 mbar
- J 0** 10 ÷ 120 mbar
- K 0** 10 ÷ 400 mbar
- T 1** 15 ÷ 700 mbar
- A A** 0,2 ÷ 1,2 bar

Accessories

- 0 0** -
- 0 4** Fixed calibration
- 0 5** Precalibrated
- 0 8** Degreased use O₂
- 1 1** Conveyed exhaust
- 1 6** O-Ring FDA compliance

Certifications

- R 0** CE
- U 0** CE+Atex 2014/34/UE
- Y 0** CE+EAC TR CU 032/2013 ⁽¹⁾
- V 0** CE+EAC TR CU 012/2011

⁽¹⁾ version certifiable on request

Seal

- 9 9** FPM
- 1 5** EPDM use O₂
- A A** FPM for liquid hydrocarbons
- 9 8** EPDM

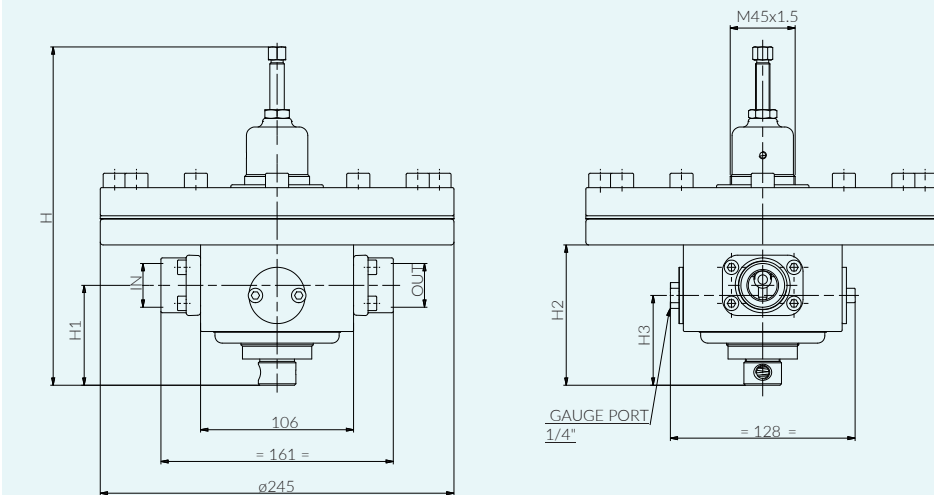
standard versions

versions available on request

DIMENSIONS:

version with connections 3/4" ÷ 1"

Outlet pressure	H mm	H1 mm	H2 mm	H3 mm
5 - 400 mbar	~ 234	~ 69,2	~ 97,2	~ 62,2
15 - 700 200 - 1200 mbar	~ 296	~ 52,5	~ 80,5	~ 45,5



For other versions, please contact ODE Sales Office