



Pressure reducer III° stage

R33C

PRESENTATION:

Stainless steel pressure reducer suitable for the use with different types of fluids.

In the standard version the product is designed to operate with pressures up to 10 bar.

The control of the outlet pressure is realized by means of a diaphragm.

USE: Compressed air and gas

CONNECTIONS: 1/4" ÷ 1/2"
(DIN and ANSI flanged connections available on request)

PRESSURE REDUCER FEATURES:

Inlet pressure	up to 10 bar
Outlet pressure	0,02 ÷ 8 bar
Kv nominal	1,44 m ³ /h (UNI 60534-2)
Operating temperature	- 20°C + 80°C
Shutter leakage class	class A (EN 12266-1)
Weight	~2,7 Kg

The product is compliant with PED Directive 2014/68/UE



MATERIALS:

Body and bonnet	AISI 316L
Internal parts	AISI 316L
Shutter spring	AISI 302
Adjusting spring (not in contact with the fluid)	AISI 302
O-Ring and shutter gasket (different compounds available on request)	FPM (for pressure above 30 bar, PUR gasket)
Diaphragm	NBR + PTFE

MAINTENANCE KIT:

KR33C repair kit available on request.

Kit contains: shutter assembly, O-ring and diaphragm assembly.

Note

Chemical compatibility fluids/materials, has to be verified at RFQ stage with ODE sales dept.

"ODE" reserves the right to carry out technical and aesthetic modifications without prior notice.

R 3 3 C # N N N N N N N N N N N N N N

Model

Connections

P	0	G 1/2 - F
N	0	G 1/4 - F
V	0	1/4 NPT - F
H	0	1/2 NPT - F
0	Q	EN1092-1/01B/DN15/PN40
0	S	EN1092-1/01B/DN25/PN40

Inlet pressure

G	0	10 bar
D	0	30 bar

Outlet pressure

A	0	0,02 ÷ 1,5 bar
B	0	0,03 ÷ 3 bar
D	0	0,05 ÷ 8 bar

Accessories

0	0	-
0	4	Fixed calibration
0	5	Precalibrated
0	8	Degreased use O ₂
1	6	O-Ring FDA compliance

Certifications

R	0	CE
U	0	CE+Atex 2014/34/UE
Y	0	CE+EAC TR CU 032/2013 ⁽¹⁾
V	0	CE+EAC TR CU 012/2011

⁽¹⁾ version certifiable on request

Seal

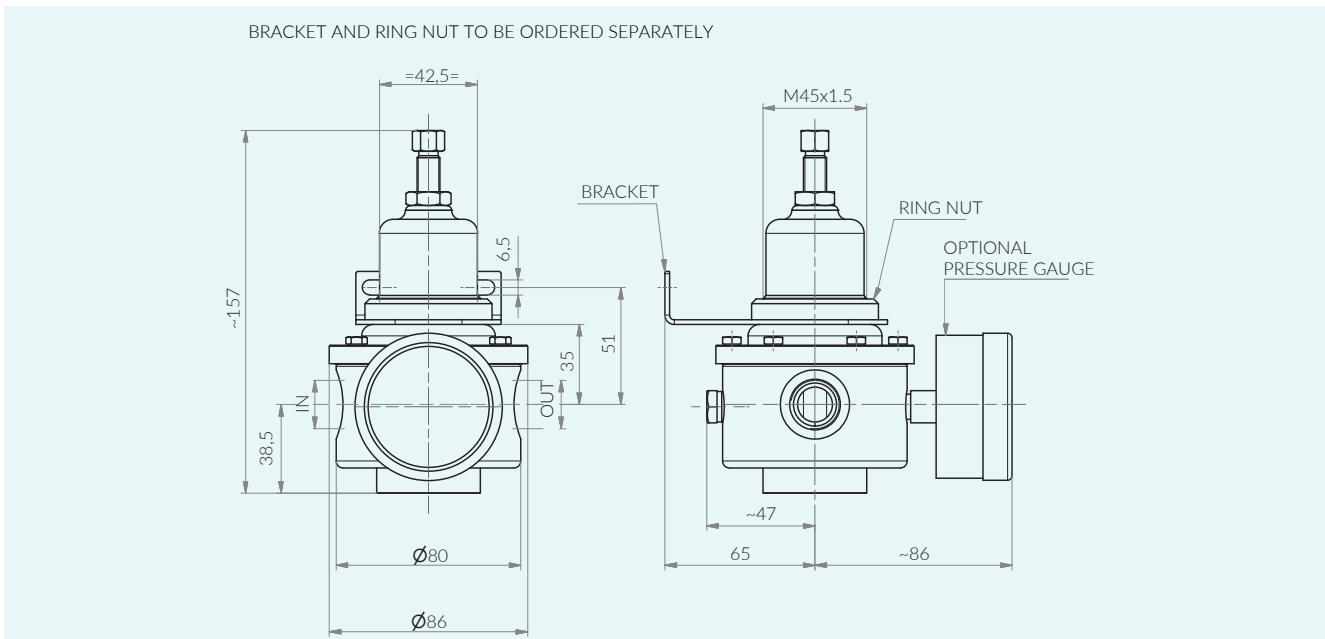
9	V	FPM (without pressure gauge)
0	1	FPM with Relieving
1	5	EPDM use O ₂
1	8	EPDM for liquids
1	9	FPM for liquids
9	8	EPDM
9	9	FPM (with pressure gauge mounted)

standard versions

versions available on request

DIMENSIONS:

version with connections 1/2"



For other versions, please contact ODE Sales Office