



# Pressure reducer III° stage

R32F

## PRESENTATION:

Aluminum pressure reducer suitable for the use with different types of fluids.

In the standard version the product is designed to operate with pressures up to 6 bar.

The control of the outlet pressure is realized by means of a diaphragm. The connections are made by flanges screwed to the body.

USE: Compressed air and gas

CONNECTIONS: 1 1/2" ÷ 2"  
(DIN and ANSI flanged connections available on request)

## PRESSURE REDUCER FEATURES:

Inlet pressure	up to 6 bar
Outlet pressure	20 ÷ 1000 mbar
Kv nominal (UNI 60534-2)	9,76 m <sup>3</sup> /h (for outlet P 20-150 mbar)
	24,97 m <sup>3</sup> /h (for outlet P 150-300 100-1000 mbar)
Operating temperature	- 20°C + 60°C
Shutter leakage class	class A (EN 12266-1)
Weight	~15 Kg

The product is compliant with PED Directive 2014/68/UE



## MATERIALS:

Body and bonnet	Aluminum
Internal parts	Brass   AISI 316L
Shutter spring	AISI 302
Adjusting spring (not in contact with the fluid)	C85
O-Ring and shutter gasket (different compounds available on request)	NBR
Diaphragm	NBR+PTFE

## MAINTENANCE KIT:

KR32F repair kit available on request.

Kit contains: shutter assembly, O-ring and diaphragm assembly.

Note

Chemical compatibility fluids/materials, has to be verified at RFQ stage with ODE sales dept.

"ODE" reserves the right to carry out technical and aesthetic modifications without prior notice.

R 3 2 F # N N N N N N N N N N N N N N

Model

**Connections**

S	0	G 1 1/2 - F
T	0	G 2 - F
Z	0	1 1/2 NPT - F
G	0	2 NPT - F
0	1	EN1092-1/01B/DN50/PN40

**Inlet pressure**

A	0	6 bar
---	---	-------

**Outlet pressure**

R	0	20 ÷ 50 mbar
U	0	50 ÷ 150 mbar
L	0	150 ÷ 300 mbar
B	0	100 ÷ 1000 mbar

**Accessories**

0	0	-
0	4	Fixed calibration
0	5	Precalibrated
0	8	Degreased use O <sub>2</sub>
1	6	O-Ring FDA compliance

**Certifications**

R	0	CE
U	0	CE+Atex 2014/34/UE <sup>(1)</sup>
Y	0	CE+EAC TR CU 032/2013
V	0	CE+EAC TR CU 012/2011

<sup>(1)</sup> version certifiable on request

**Seal**

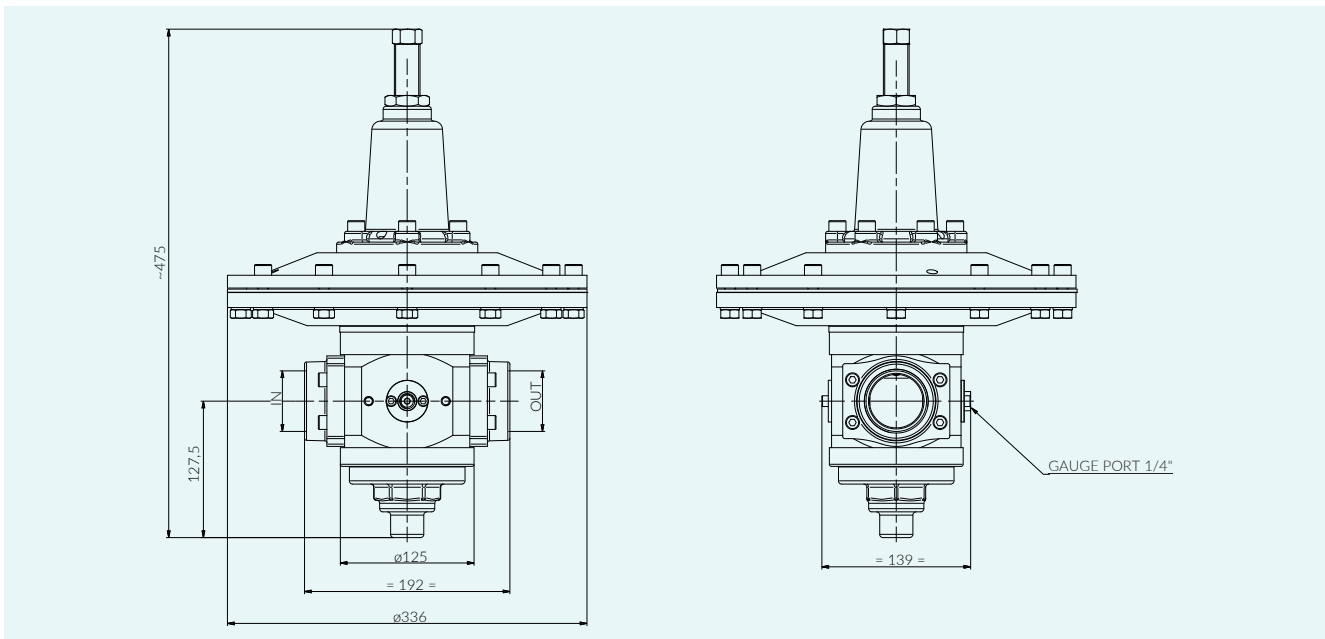
9	7	NBR
9	4	FPM CAT.I
9	5	NBR CAT.I
9	8	EPDM
9	9	FPM

**standard versions**

versions available on request

**DIMENSIONS:**

version with connections 1 1/2" ÷ 2"



For other versions, please contact ODE Sales Office