



Pressure reducer III° stage

R32B

PRESENTATION:

Aluminum pressure reducer suitable for the use with different types of fluids.

In the standard version the product is designed to operate with pressures up to 10 bar.

The control of the outlet pressure is realized by means of a diaphragm.

USE: Compressed air and gas

CONNECTIONS: 1/4" ÷ 3/8"

PRESSURE REDUCER FEATURES:

Inlet pressure	up to 10 bar
Outlet pressure	0,02 ÷ 3 bar
Kv nominal	1,44 m ³ /h (UNI 60534-2)
Operating temperature	- 20°C + 60°C
Shutter leakage class	class A (EN 12266-1)
Weight	~1 Kg

The product is compliant with PED Directive 2014/68/UE



MATERIALS:

Body and bonnet	Aluminum
Internal parts	Brass
Regulation knob	PA66
Shutter spring	AISI 304
Adjusting spring (not in contact with the fluid)	C85
O-Ring and shutter gasket (different compounds available on request)	NBR
Diaphragm	NBR+PTFE

MAINTENANCE KIT:

KR32B repair kit available on request.

Kit contains: shutter assembly, O-ring and diaphragm assembly.

Note

Chemical compatibility fluids/materials, has to be verified at RFQ stage with ODE sales dept.

"ODE" reserves the right to carry out technical and aesthetic modifications without prior notice.

R 3 2 B # N N N N N N N N N N N N N N

Model

Connections

N	0	G 1/4 - F
L	0	G 3/8 - F
V	0	1/4 NPT - F
W	0	3/8 NPT - F

Inlet pressure

G	0	10 bar
---	---	--------

Outlet pressure

A	0	0,02 ÷ 1,5 bar
B	0	0,03 ÷ 3 bar

Accessories

0	0	-
0	4	Fixed calibration
0	5	Precalibrated
0	6	Without pressure gauge
1	6	O-Ring FDA compliance

Certifications

R	0	CE
U	0	CE+Atex 2014/34/UE ⁽¹⁾
Y	0	CE+EAC TR CU 032/2013 ⁽¹⁾
V	0	CE+EAC TR CU 012/2011 ⁽¹⁾

⁽¹⁾ version certifiable on request

Seal

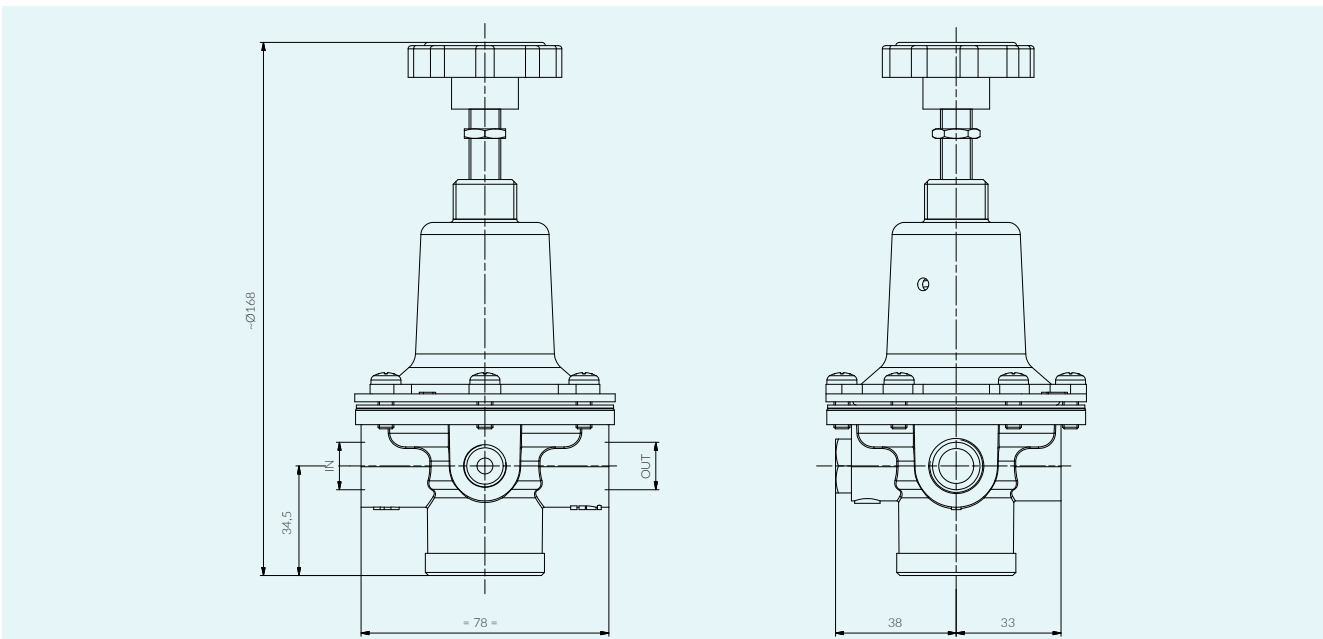
9	7	NBR
0	1	NBR with Relieving
1	7	NBR for liquids
1	8	EPDM for liquids
1	9	FPM for liquids
9	8	EPDM
9	9	FPM

standard versions

versions available on request

DIMENSIONS:

version with connections 1/4" ÷ 3/8"



For other versions, please contact ODE Sales Office