



## Pressure reducer II° stage

R23I

### PRESENTATION:

Stainless steel high flow pressure reducer suitable for the use with different types of fluids.

In the standard version the product is designed to operate with pressures up to 30 bar.

The control of the outlet pressure is realized by means of a diaphragm. The connections are made by flanges screwed to the body.

USE: Compressed air, gas and liquids

CONNECTIONS: DN80 - DN100 (EN1092)  
(ANSI flanged connections available on request)

### PRESSURE REDUCER FEATURES:

|                       |   |
|-----------------------|---|
| Inlet pressure        | up to 30 bar  |
| Outlet pressure       | 0,2 ÷ 15 bar  |
| Kv nominal            | 63,13 m <sup>3</sup> /h (UNI 60534-2)               |
| Operating temperature | - 20°C + 60°C                                       |
| Shutter leakage class | class A (EN 12266-1)                                |
| Weight                | ~ 86,5 Kg (flange DN80)<br>~ 89,5 Kg (flange DN100) |

The product is compliant with PED Directive 2014/68/UE

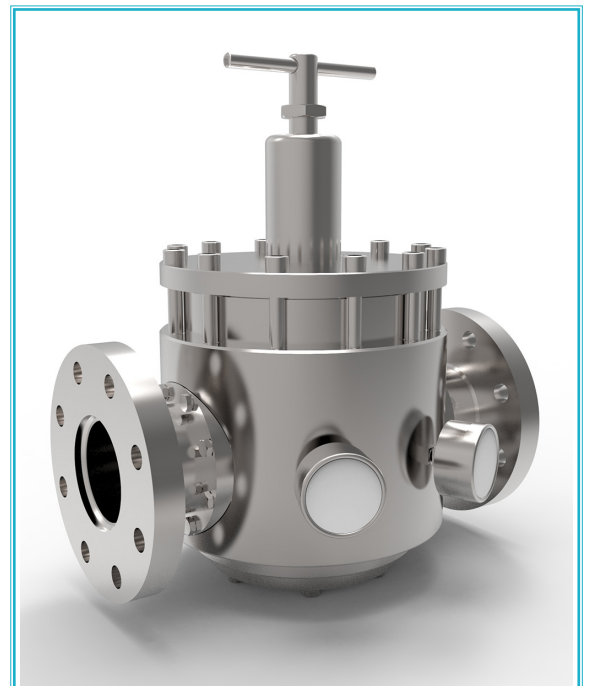
### MATERIALS:

|   |               |
|---|---------------|
| Body and bonnet   | AISI 316L     |
| Internal parts  | AISI 316L     |
| Shutter spring  | C85 treated   |
| Adjusting spring<br>(not in contact with the fluid)                     | C85 treated   |
| O-Ring and shutter gasket<br>(different compounds available on request) | FPM           |
| Diaphragm   | Neoprene+PTFE |

### MAINTENANCE KIT:

KR23I repair kit available on request.

Kit contains: shutter assembly, O-ring and diaphragm assembly.



Note

Chemical compatibility fluids/materials, has to be verified at RFQ stage with ODE sales dept.

"ODE" reserves the right to carry out technical and aesthetic modifications without prior notice.

R 2 3 I # N N N N N N N N N N N N N N

Model

**Connections**

|   |   |                         |
|---|---|-------------------------|
| I | 0 | EN1092-1/01A/DN80/PN40  |
| K | 0 | EN1092-1/01A/DN100/PN40 |
| 0 | 4 | SO ANSI 150 RF 3"       |
| 0 | 1 | SO ANSI 150 RF 4"       |
| 0 | 3 | SO ANSI 300 RF 3"       |
| 0 | 2 | SO ANSI 300 RF 4"       |

**Inlet pressure**

|   |   |        |
|---|---|--------|
| D | 0 | 30 bar |
|---|---|--------|

**Outlet pressure**

|   |   |               |
|---|---|---------------|
| A | 0 | 0,2 ÷ 1,5 bar |
| H | 0 | 0,6 ÷ 6 bar   |
| E | 0 | 1,5 ÷ 15 bar  |

**Accessories**

|   |   |                              |
|---|---|------------------------------|
| 0 | 0 | -                            |
| 0 | 4 | Fixed calibration            |
| 0 | 5 | Precalibrated                |
| 0 | 6 | Without pressure gauge       |
| 0 | 8 | Degreased use O <sub>2</sub> |
| 1 | 1 | Drain conveyed               |
| 1 | 6 | O-Ring FDA compliance        |

**Certifications**

|   |   |                       |
|---|---|-----------------------|
| R | 0 | CE                    |
| U | 0 | CE+Atex 2014/34/UE    |
| Y | 0 | CE+EAC TR CU 032/2013 |
| V | 0 | CE+EAC TR CU 012/2011 |

**Seal**

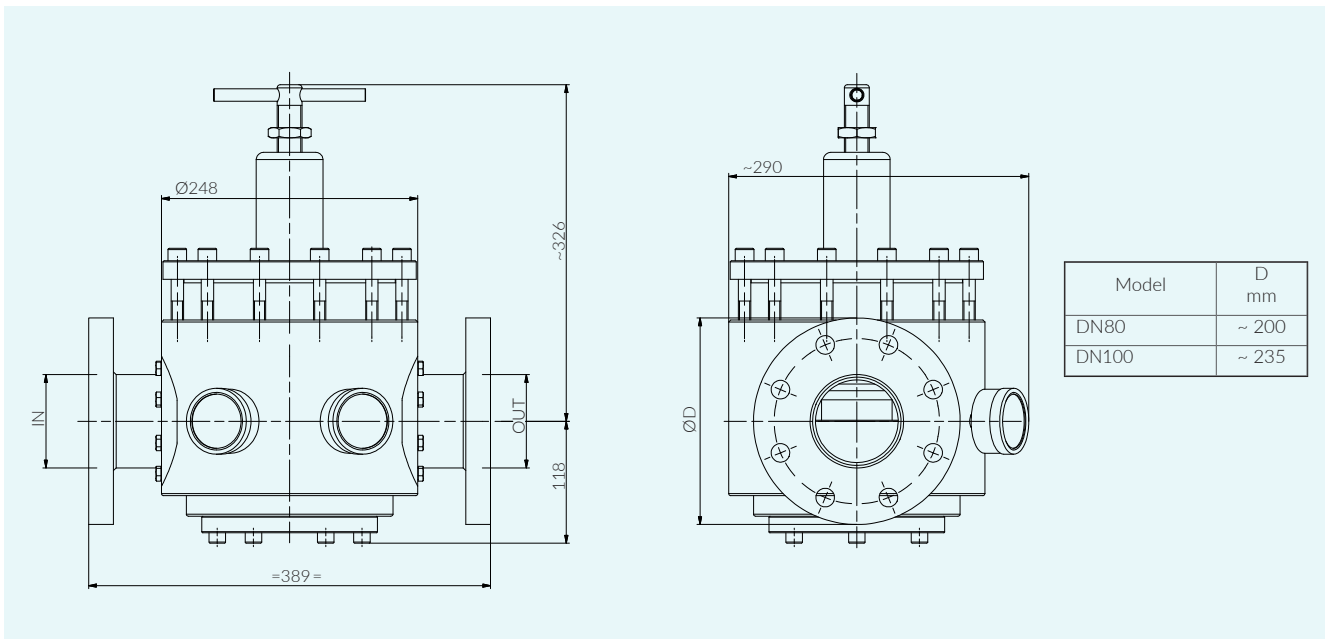
|   |   |                               |
|---|---|-------------------------------|
| 9 | 9 | FPM CAT.I                     |
| 1 | 5 | FPM use O <sub>2</sub> CAT.II |
| 1 | 9 | FPM for liquids               |

**standard versions**

versions available on request

**DIMENSIONS:**

version with connections DN80 - DN100



For other versions, please contact ODE Sales Office