



Pressure reducer II° stage

R23H

PRESENTATION:

Stainless steel high flow pressure reducer suitable for the use with different types of fluids.

In the standard version the product is designed to operate with pressures up to 30 bar.

The control of the outlet pressure is realized by means of a diaphragm. The connections are made by flanges screwed to the body.

USE: Compressed air, gas and liquids

CONNECTIONS: 1 1/2" ÷ 2"
(DIN and ANSI flanged connections available on request)

PRESSURE REDUCER FEATURES:

Inlet pressure	up to 30 bar
Outlet pressure	0,2 ÷ 15 bar
Kv nominal	24,97 m ³ /h (UNI 60534-2)
Operating temperature	- 20°C + 60°C
Shutter leakage class	class A (EN 12266-1)
Weight	~26 Kg

The product is compliant with PED Directive 2014/68/UE

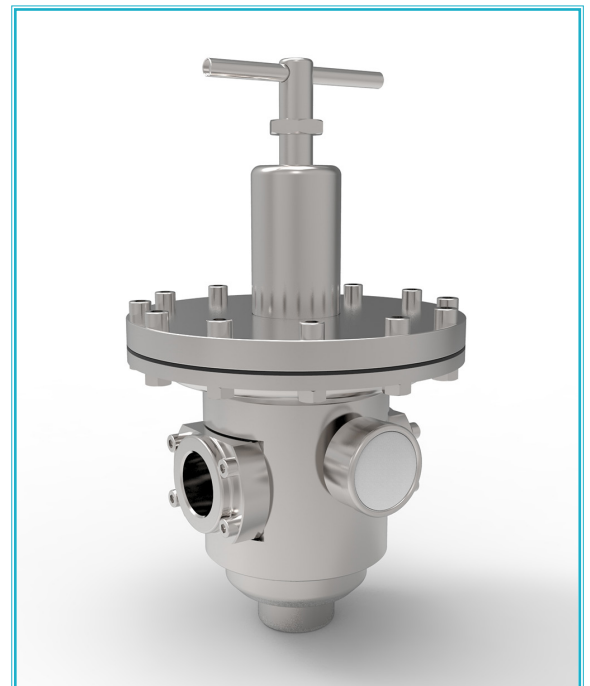
MATERIALS:

Body and bonnet	AISI 316L
Internal parts	AISI 316L
Shutter spring	AISI 302
Adjusting spring (not in contact with the fluid)	C85 treated
O-Ring and shutter gasket (different compounds available on request)	NBR (for pressure above 30 bar PUR gasket)
Diaphragm	NBR+PTFE

MAINTENANCE KIT:

KR23H repair kit available on request.

Kit contains: shutter assembly, O-ring and diaphragm assembly.



Note

Chemical compatibility fluids/materials, has to be verified at RFQ stage with ODE sales dept.

"ODE" reserves the right to carry out technical and aesthetic modifications without prior notice.

R 2 3 H # N N N N N N N N N N N N N N

Model

Connections

S	0	G 1 1/2 - F
T	0	G 2 - F
Z	0	1 1/2 NPT - F
G	0	2 NPT - F
0	3	SO ANSI 300 RF 2"
0	4	EN1092-1/01B/DN40/PN40
0	1	EN1092-1/01B/DN50/PN40
0	2	EN1092-1/01B/DN65/PN40

Inlet pressure

D	0	30 bar
---	---	--------

Outlet pressure

A	0	0,2 ÷ 1,5 bar
H	0	0,6 ÷ 6 bar
E	0	1,5 ÷ 15 bar

Accessories

0	0	-
0	4	Fixed calibration
0	5	Precalibrated
0	6	Without pressure gauge
0	8	Degreased use O ₂
1	6	O-Ring FDA compliance

Certifications

R	0	CE
U	0	CE+Atex 2014/34/UE
Y	0	CE+EAC TR CU 032/2013
V	0	CE+EAC TR CU 012/2011

Seal

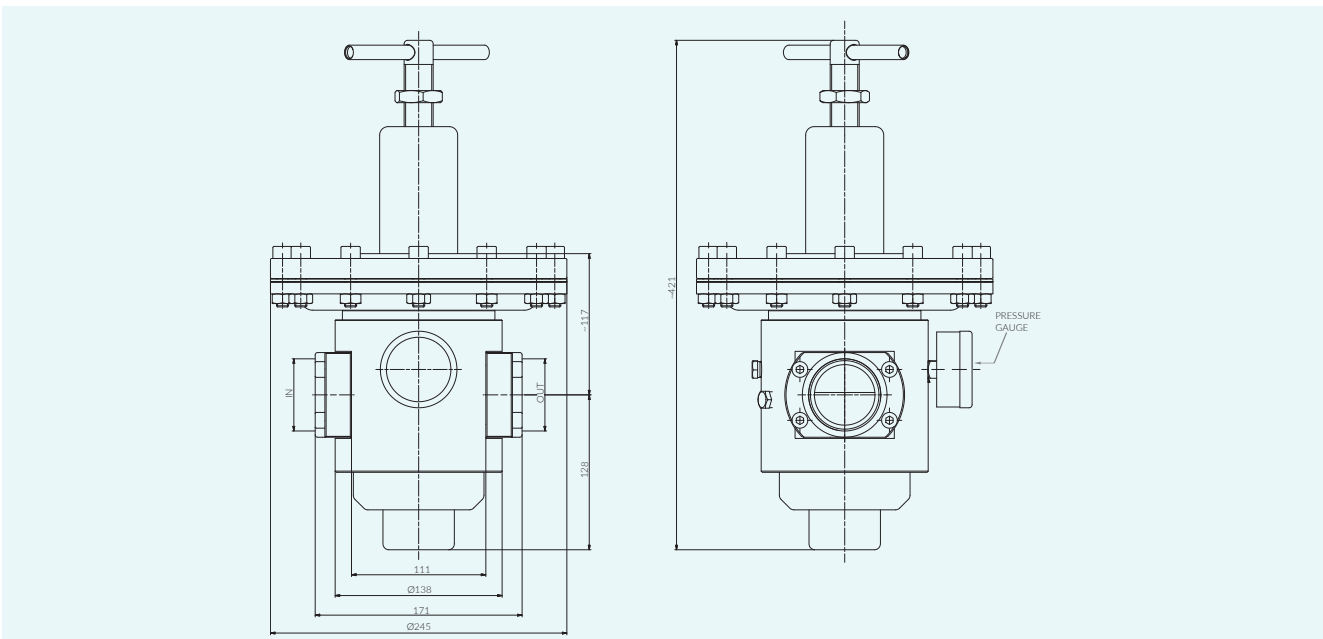
9	9	FPM CAT.I
1	5	FPM CAT.II use O ₂
1	8	EPDM for liquids
1	9	FPM for liquids
9	4	FPM CAT.II
9	5	NBR CAT.II
9	6	EPDM CAT.II
9	7	NBR CAT.I
9	8	EPDM CAT.I

standard versions

versions available on request

DIMENSIONS:

version with connections 1 1/2" ÷ 2"



For other versions, please contact ODE Sales Office