



PRESENTATION:

Stainless steel pressure reducer suitable for the use with different types of fluids.

In the standard version the product is designed to operate with pressures up to 50 bar.

The control of the outlet pressure is realized by means of a:

- › diaphragm up to 15 bar;
- › piston for pressures above 15 bar.

The connections are made by flanges screwed to the body.

USE: Compressed air, gas and liquids

CONNECTIONS: 3/4" ÷ 1 1/2"
(DIN and ANSI flanged connections available on request)

PRESSURE REDUCER FEATURES:

Inlet pressure	up to 50 bar
Outlet pressure	0,2 ÷ 50 bar
Kv nominal	9,76 m ³ /h (UNI 60534-2)
Operating temperature	- 20°C + 80°C
Shutter leakage class	class A (EN 12266-1)
Weight	~10,2 Kg (with diaphragm) ~10,6 Kg (with piston)

The product is compliant with PED Directive 2014/68/UE

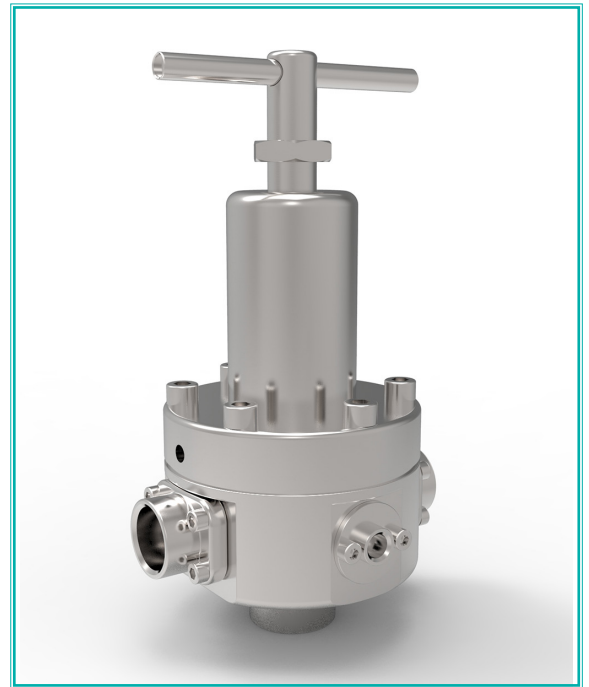
MATERIALS:

Body and bonnet	AISI 316L
Internal parts	AISI 316L
Shutter spring	AISI 302
Adjusting spring (not in contact with the fluid)	C85 treated
O-Ring and shutter gasket (different compounds available on request)	FPM
Piston	AISI 316L
Diaphragm	NBR+PTFE

MAINTENANCE KIT:

KR23E repair kit available on request.

Kit contains: shutter assembly, O-ring and diaphragm assembly.



Note

Chemical compatibility fluids/materials, has to be verified at RFQ stage with ODE sales dept.

"ODE" reserves the right to carry out technical and aesthetic modifications without prior notice.

R 2 3 E # N N N N N N N N N N N N N N N N

Model

Connections

Q	0	G 3/4 - F
R	0	G 1 - F
X	0	3/4 NPT - F
Y	0	1 NPT - F
J	0	G 1 1/4 - F
S	0	G 1 1/2 - F
B	0	1 1/4 NPT - F
Z	0	1 1/2 NPT - F
1	Z	SO ANSI 150 RF 1"
2	B	SO ANSI 150 RF 1 1/2"
2	S	SO ANSI 300 RF 1"
4	I	SO ANSI 600 RF 1 1/2"
5	W	SO ANSI 1500 RF 1"
0	R	EN1092-1/01B/DN20/PN40
0	S	EN1092-1/01B/DN25/PN40
1	M	EN1092-1/01B/DN25/PN63/100

Inlet pressure

E	0	50 bar
N	0	60 bar
F	0	40 bar

Outlet pressure

A	0	0,2 ÷ 1,5 bar
B	0	0,3 ÷ 3 bar
D	0	0,8 ÷ 8 bar
E	0	1,5 ÷ 15 bar
F	0	3 ÷ 30 bar
G	0	5 ÷ 50 bar

Relieving function

0	No Relieving
1	Relieving

Accessories

0	0	-
0	4	Fixed calibration
0	5	Precalibrated
0	6	With pressure gauge
0	8	Degreased use O ₂
1	1	Conveyed exhaust
1	6	O-Ring FDA compliance

Certifications

R	0	CE
U	0	CE+Atex 2014/34/UE
Y	0	CE+EAC TR CU 032/2013 ⁽¹⁾
V	0	CE+EAC TR CU 012/2011

⁽¹⁾ version certifiable on request

Seal

9	9	FPM
A	A	FPM for liquid hydrocarbons
1	5	FPM use O ₂
1	8	EPDM for liquids
1	9	FPM for liquids
9	8	EPDM

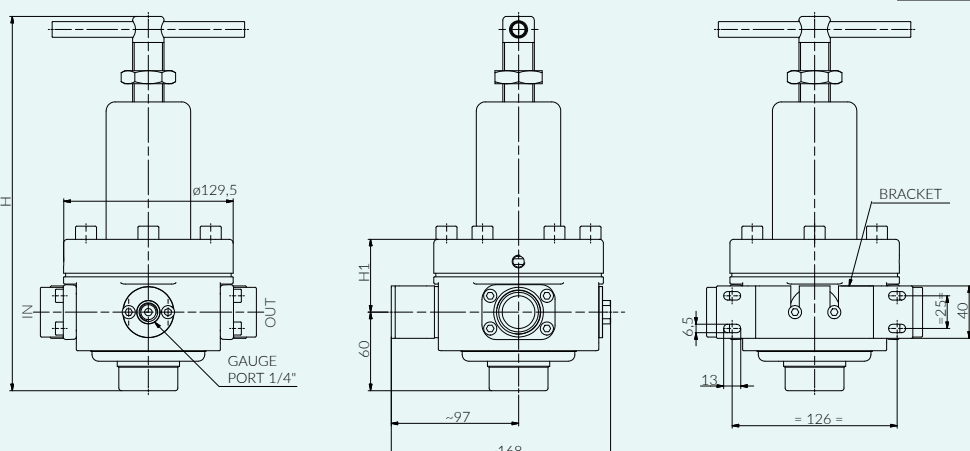
standard versions

versions available on request

DIMENSIONS:

version with connections 3/4" ÷ 1"

Model	H mm	H1 mm
Diaphragm	~ 286	~ 55
Piston (3 ÷ 30 bar)	~ 302	~ 72
Piston (5 ÷ 50 bar)	~ 311	~ 80



For other versions, please contact ODE Sales Office