



Pressure reducer II° stage

R23D

PRESENTATION:

Stainless steel pressure reducer suitable for the use with different types of fluids.

In the standard version the product is designed to operate with pressures up to 50 bar.

The control of the outlet pressure is realized by means of a piston.

The connections are made by flanges screwed to the body.

USE:

Compressed air, gas and liquids

CONNECTIONS:

3/4" ÷ 1 1/2"

(DIN and ANSI flanged connections available on request)

PRESSURE REDUCER FEATURES:

Inlet pressure	up to 50 bar
Outlet pressure	0,2 ÷ 50 bar
Kv nominal	8,4 m ³ /h (UNI 60534-2)
Operating temperature	- 20°C + 80°C
Shutter leakage class	class A (EN 12266-1)
Weight	~3,6 Kg

The product is compliant with PED Directive 2014/68/UE

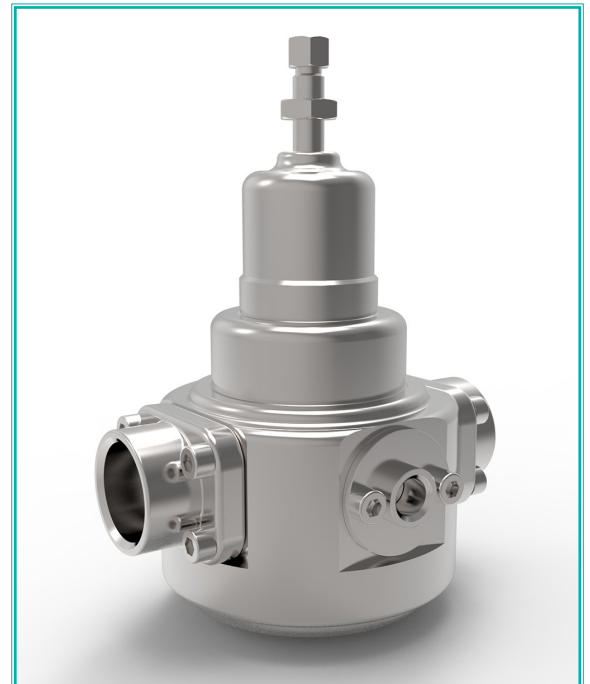
MATERIALS:

Body and bonnet	AISI 316L
Internal parts	AISI 316L
Shutter spring	AISI 302
Adjusting spring (not in contact with the fluid)	C85 treated
O-Ring and shutter gasket (different compounds available on request)	FPM
Piston	AISI 316L

MAINTENANCE KIT:

KR23D repair kit available on request.

Kit contains: shutter assembly and O-ring.



Note

Chemical compatibility fluids/materials, has to be verified at RFQ stage with ODE sales dept.

"ODE" reserves the right to carry out technical and aesthetic modifications without prior notice.

R 2 3 D # N N N N N N N N N N N N N N N N

Model

Connections

Q 0	G 3/4 - F
R 0	G 1 - F
X 0	3/4 NPT - F
Y 0	1 NPT - F
J 0	G 1 1/4 - F
S 0	G 1 1/2 - F
B 0	1 1/4 NPT - F
Z 0	1 1/2 NPT - F
1 Z	SO ANSI 150 RF 1"
2 B	SO ANSI 150 RF 1 1/2"
2 R	SO ANSI 300 RF 3/4"
2 S	SO ANSI 300 RF 1"
1 5	SO ANSI 600 RF 1/2"
4 I	SO ANSI 600 RF 1 1/2"
5 W	SO ANSI 1500 1"
0 R	EN1092-1/01B/DN20/PN40
0 S	EN1092-1/01B/DN25/PN40
0 T	EN1092-1/01B/DN32/PN40
1 M	EN1092-1/01B/DN25/PN63

Inlet pressure

E 0	50 bar
F 0	40 bar

Outlet pressure

A 0	0,2 ÷ 1,5 bar
B 0	0,3 ÷ 3 bar
D 0	0,8 ÷ 8 bar
E 0	1,5 ÷ 15 bar
F 0	3 ÷ 30 bar
G 0	5 ÷ 50 bar

Relieving function

0	No Relieving
1	Relieving

Seal

9 9	FPM
A A	FPM for liquid hydrocarbons
1 5	FPM use O ₂
1 8	EPDM for liquids
1 9	FPM for liquids
9 8	EPDM

Accessories

0 0	-
0 4	Fixed calibration
0 5	Precalibrated
0 6	With pressure gauge
0 8	Degreased use O ₂
1 6	O-Ring FDA compliance

Certifications

R 0	CE
U 0	CE+Atex 2014/34/UE
Y 0	CE+EAC TR CU 012/2011 ⁽¹⁾ (only for use with Gas)
V 0	CE+EAC TR CU 012/2011

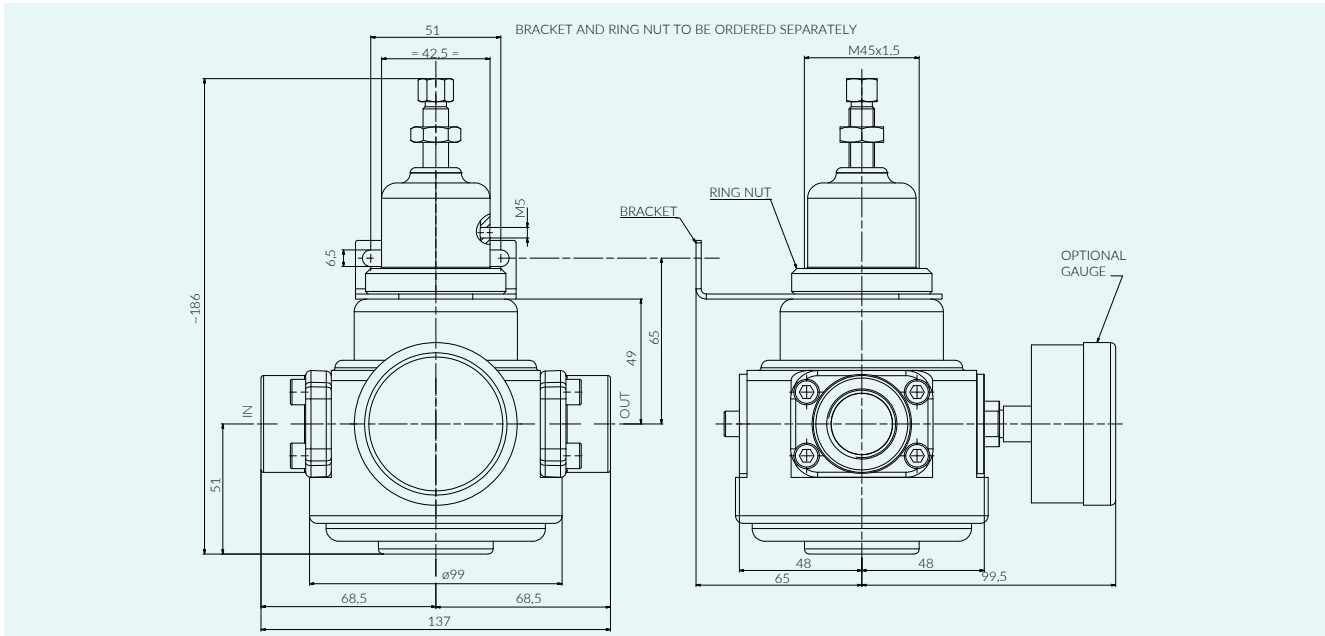
⁽¹⁾ version certifiable on request

standard versions

versions available on request

DIMENSIONS:

version with connections 3/4" ÷ 1"



For other versions, please contact ODE Sales Office