



Pressure reducer II° stage

R23B

PRESENTATION:

Stainless steel pressure reducer suitable for the use with different types of fluids.

In the standard version the product is designed to operate with pressures up to 50 bar.

The control of the outlet pressure is realized by means of a:

- › diaphragm up to 15 bar;
- › piston for pressures above 15 bar.

USE: Compressed air, gas and liquids

CONNECTIONS: 1/4" ÷ 3/8"
(DIN and ANSI flanged connections available on request)

PRESSURE REDUCER FEATURES:

Inlet pressure	up to 50 bar
Outlet pressure	0,2 ÷ 50 bar
Kv nominal	1,44 m ³ /h (UNI 60534-2)
Operating temperature	- 20°C + 60°C
Shutter leakage class	class A (EN 12266-1)
Weight	~1,6 Kg (with diaphragm) ~1,9 Kg (with piston)

The product is compliant with PED Directive 2014/68/UE

MATERIALS:

Body and bonnet	AISI 316L
Internal parts	AISI 316L
Shutter spring	AISI 304
Adjusting spring (not in contact with the fluid)	AISI 302
O-Ring and shutter gasket (different compounds available on request)	FPM (for pressure above 30 bar, PUR gasket)
Piston	AISI 316L
Diaphragm	AISI 316L

MAINTENANCE KIT:

KR23B repair kit available on request.

Kit contains: shutter assembly, O-ring and diaphragm assembly.



Note

Chemical compatibility fluids/materials, has to be verified at RFQ stage with ODE sales dept.

"ODE" reserves the right to carry out technical and aesthetic modifications without prior notice.

R 2 3 B # N N N N N N N N N N N N N N N

Model

Connections

L	0	G 1/4 - F
H	0	G 3/8 - F
P	0	1/4 NPT - F
V	0	3/8 NPT - F
2	4	SO ANSI 150 RF 1/2"
0	9	SO ANSI 150 RF 125-250A ARH 1"
2	5	SO ANSI 300 RF 1/2"
0	3	SO ANSI 300 RF 1"
2	2	EN1092-1/01B/DN15/PN40
1	8	EN1092-1/01B/DN20/PN40

Inlet pressure

E	0	50 bar
D	0	30 bar
N	0	60 bar
F	0	40 bar

Outlet pressure

A	0	0,2 ÷ 1,5 bar ⁽²⁾
B	0	0,3 ÷ 3 bar ⁽²⁾
D	0	0,8 ÷ 8 bar ⁽²⁾
E	0	1,5 ÷ 15 bar
F	0	3 ÷ 30 bar ⁽³⁾
G	0	5 ÷ 50 bar ⁽³⁾
G	G	1 ÷ 50 bar (with piloted version)

⁽²⁾ only with inlet P 30 bar
⁽³⁾ only with inlet P 50 bar

Pilot operated

N	Not piloted
P	Piloted

Accessories

0	0	-
0	4	Fixed calibration
0	5	Precalibrated
0	8	Degreased use O ₂
1	1	Conveyed exhaust
1	6	O-Ring FDA compliance

Certifications

R	0	CE
U	0	CE+Atex 2014/34/UE
Y	0	CE+EAC TR CU 032/2013 ⁽¹⁾
V	0	CE+EAC TR CU 012/2011 ⁽¹⁾ (only for use with Gas)

⁽¹⁾ version certifiable on request

Seal

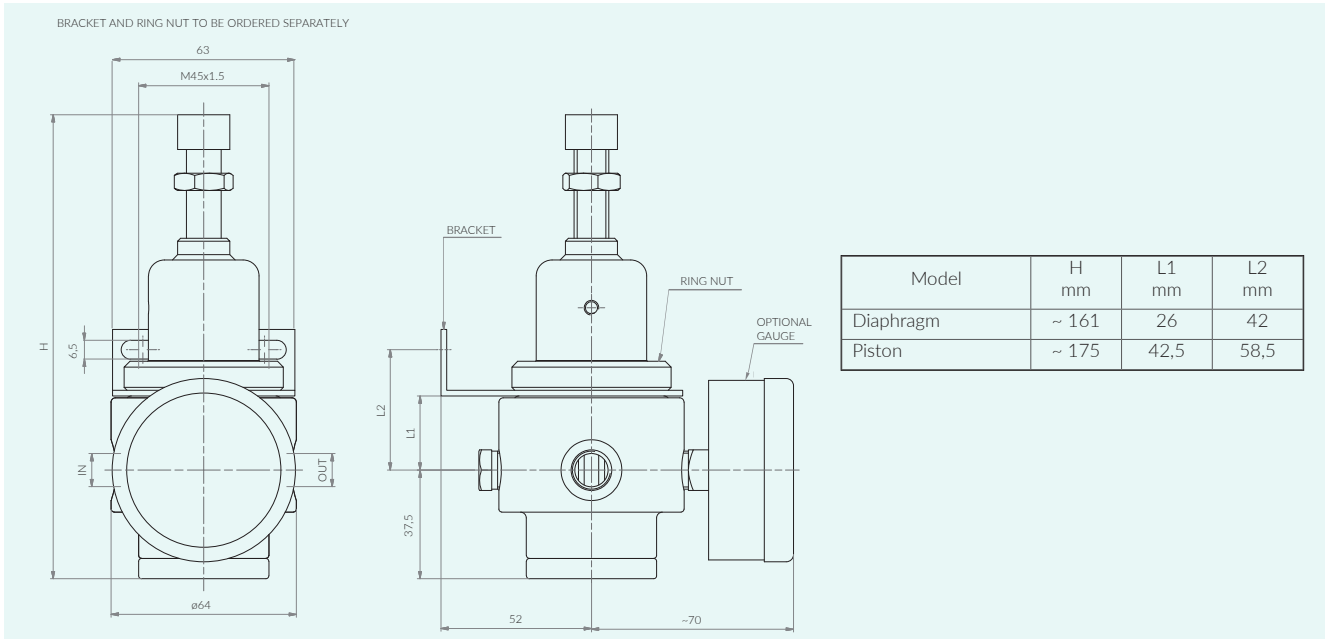
9	V	FPM (without pressure gauge)
A	A	FPM for liquid hydrocarbons
0	1	FPM with Relieving
1	5	FPM use O ₂
1	7	NBR for liquids
1	8	EPDM for liquids
1	9	FPM for liquids
9	7	NBR
9	8	EPDM
9	9	FPM (with pressure gauge mounted)

standard versions

versions available on request

DIMENSIONS:

version with connections 1/4" ÷ 3/8"



For other versions, please contact ODE Sales Office