



Pressure reducer II° stage

R22I

PRESENTATION:

Aluminum high flow pressure reducer suitable for the use with different types of fluids.
In the standard version the product is designed to operate with pressures up to 20 bar.
The control of the outlet pressure is realized by means of a diaphragm.
The connections are made by flanges screwed to the body.

USE: Compressed air, gas and liquids

CONNECTIONS: DN80-DN100 (EN1092)
(ANSI flanged connections available on request)

PRESSURE REDUCER FEATURES:

Inlet pressure	up to 20 bar
Outlet pressure	0,2 ÷ 15 bar
Kv nominal	63,13 m ³ /h (UNI 60534-2)
Operating temperature	- 20°C + 60°C
Shutter leakage class	class A (EN 12266-1)
Weight	~ 52 Kg (flange DN80) ~ 57 Kg (flange DN100)

The product is compliant with PED Directive 2014/68/UE

MATERIALS:

Body and bonnet	Aluminum
Internal parts	Brass
Shutter spring	C85
Adjusting spring (not in contact with the fluid)	C85
O-Ring and shutter gasket (different compounds available on request)	NBR
Diaphragm	Neoprene+PTFE

MAINTENANCE KIT:

KR22I repair kit available on request.
Kit contains: shutter assembly, O-ring and diaphragm assembly.



Note
Chemical compatibility fluids/materials, has to be verified at RFQ stage with ODE sales dept.

"ODE" reserves the right to carry out technical and aesthetic modifications without prior notice.

R 2 2 I # N N N N N N N N N N N N N N

Model

Connections

I	0	EN1092-1/01A/DN80/PN40
K	0	EN1092-1/01A/DN100/PN40
0	4	SO ANSI 150 RF 3"
0	1	SO ANSI 150 RF 4"
0	3	SO ANSI 300 RF 3"
0	2	SO ANSI 300 RF 4"

Inlet pressure

C	0	20 bar
---	---	--------

Outlet pressure

A	0	0,2 ÷ 1,5 bar
H	0	0,6 ÷ 6 bar
E	0	1,5 ÷ 15 bar

Seal

9	7	NBR CAT.I
1	7	NBR for liquids
1	8	EPDM for liquids
1	9	FPM for liquids
9	5	NBR CAT.II
9	8	EPDM CAT.I
9	9	FPM CAT.I

Accessories

0	0	-
0	4	Fixed calibration
0	5	Precalibrated
0	6	Without pressure gauge
0	8	Degreased use O ₂
1	1	Conveyed exhaust
1	6	O-Ring FDA compliance

Certifications

R	0	CE
U	0	CE+Atex 2014/34/UE ⁽¹⁾
Y	0	CE+EAC TR CU 032/2013 ⁽¹⁾
V	0	CE+EAC TR CU 012/2011 ⁽¹⁾

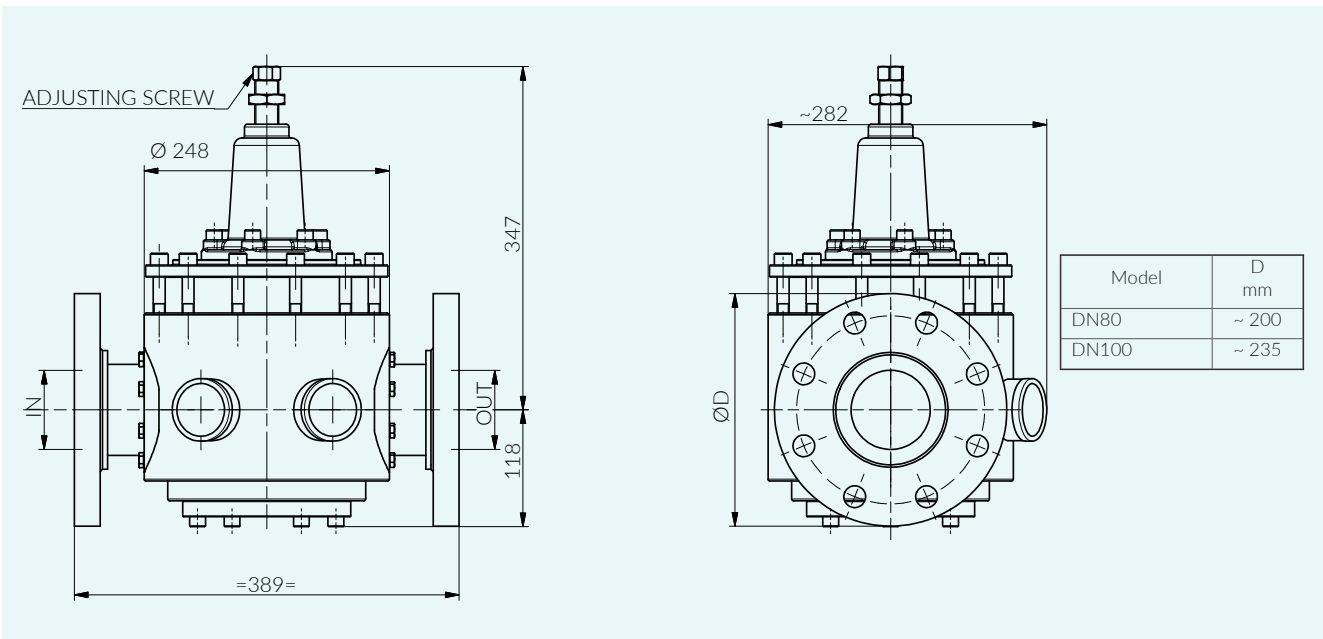
⁽¹⁾ version certifiable on request

standard versions

versions available on request

DIMENSIONS:

version with connections DN80 - DN100



For other versions, please contact ODE Sales Office