



## Pressure reducer II° stage

R22H

### PRESENTATION:

Aluminum high flow pressure reducer suitable for the use with different types of fluids.

In the standard version the product is designed to operate with pressures up to 20 bar.

The control of the outlet pressure is realized by means of a diaphragm. The connections are made by flanges screwed to the body.

USE: Compressed air, gas and liquids

CONNECTIONS: 1 1/2" ÷ 2"  
(DIN and ANSI flanged connections available on request)

### PRESSURE REDUCER FEATURES:

Inlet pressure	up to 20 bar
Outlet pressure	0,2 ÷ 15 bar
Kv nominal	24,97 m <sup>3</sup> /h (UNI 60534-2)
Operating temperature	- 20°C + 60°C
Shutter leakage class	class A (EN 12266-1)
Weight	~11 Kg

The product is compliant with PED Directive 2014/68/UE

### MATERIALS:

Body and bonnet	Aluminum
Internal parts	Brass   AISI 316L
Shutter spring	AISI 302
Adjusting spring (not in contact with the fluid)	C85
O-Ring and shutter gasket (different compounds available on request)	NBR
Diaphragm	NBR+PTFE

### MAINTENANCE KIT:

KR22H repair kit available on request.

Kit contains: shutter assembly, O-ring and diaphragm assembly.



#### Note

Chemical compatibility fluids/materials, has to be verified at RFQ stage with ODE sales dept.

"ODE" reserves the right to carry out technical and aesthetic modifications without prior notice.

R 2 2 H # N N N N N N N N N N N N N N

Model

**Connections**

S	0	G 1 1/2 - F
T	0	G 2 - F
Z	0	1 1/2 NPT - F
G	0	2 NPT - F
0	1	SO ANSI 150 RF 2"

**Outlet pressure**

A	0	0,2 ÷ 1,5 bar
H	0	0,6 ÷ 6 bar
E	0	1,5 ÷ 15 bar

**Inlet pressure**

C	0	20 bar
---	---	--------

**Accessories**

0	0	-
0	4	Fixed calibration
0	5	Precalibrated
0	6	Without pressure gauge
0	8	Degreased use O <sub>2</sub>
1	6	O-Ring FDA compliance

**Certifications**

R	0	CE
U	0	CE+Atex 2014/34/UE <sup>(1)</sup>
Y	0	CE+EAC TR CU 032/2013
V	0	CE+EAC TR CU 012/2011 <sup>(1)</sup>

<sup>(1)</sup> version certifiable on request

**Seal**

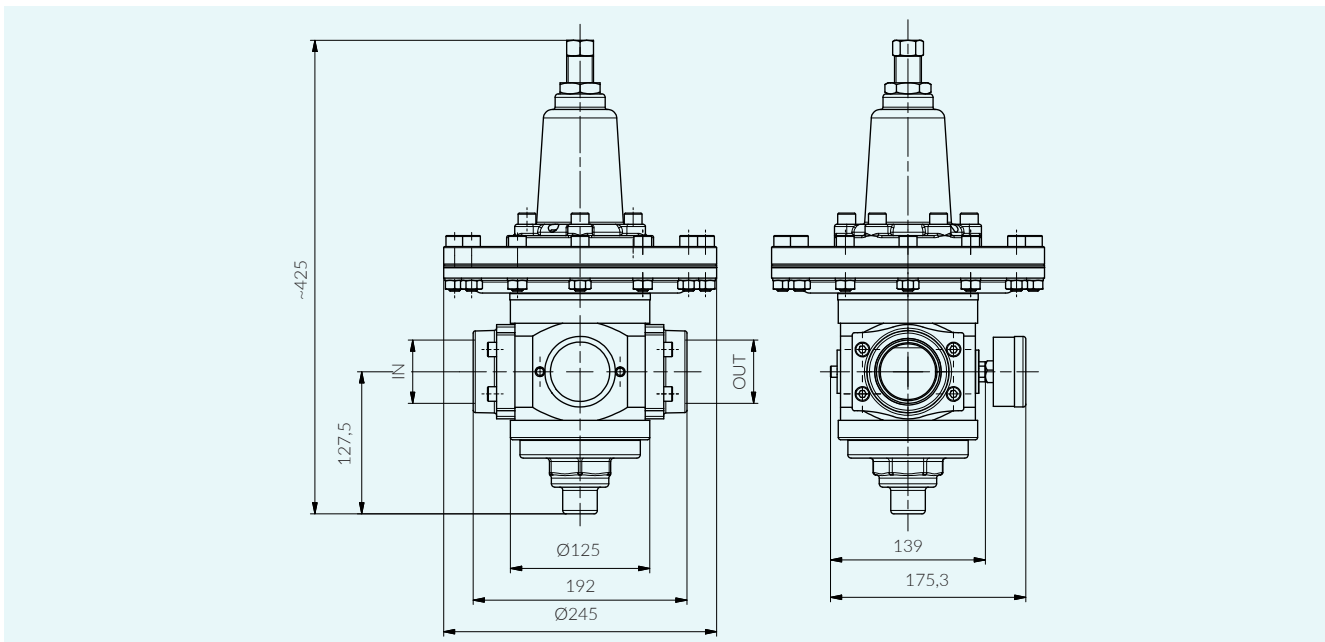
9	7	NBR
1	7	NBR for liquids
1	8	EPDM for liquids
1	9	FPM for liquids
8	9	EPDM CAT. I
9	2	FPM CAT. I
9	5	NBR CAT. I
9	8	EPDM
9	9	FPM

**standard versions**

versions available on request

**DIMENSIONS:**

version with connections 1 1/2" ÷ 2"



For other versions, please contact ODE Sales Office