



Pressure reducer II° stage

R21F

PRESENTATION:

Brass pressure reducer suitable for the use with different types of fluids.

In the standard version the product is designed to operate with pressures up to 50 bar.

The control of the outlet pressure is realized by means of a piston.

The connections are made by flanges screwed to the body.

USE: Compressed air, gas and liquids

CONNECTIONS: 1 1/4" ÷ 2"
(DIN and ANSI flanged connections available on request)

PRESSURE REDUCER FEATURES:

Inlet pressure	up to 50 bar
Outlet pressure	0,2 ÷ 50 bar
Kv nominal	24,97 m ³ /h (UNI 60534-2)
Operating temperature	- 20°C + 60°C
Shutter leakage class	class A (EN 12266-1)
Weight	~14 Kg

The product is compliant with PED Directive 2014/68/UE

MATERIALS:

Body	Brass
Bonnet	Aluminum
Internal parts	Brass
Shutter spring	AISI 302
Adjusting spring (not in contact with the fluid)	C85
O-Ring and shutter gasket (different compounds available on request)	NBR (for pressure above 30 bar, PUR gasket)
Piston	Brass

MAINTENANCE KIT:

KR21F repair kit available on request.

Kit contains: shutter assembly and O-ring.



Note

Chemical compatibility fluids/materials, has to be verified at RFQ stage with ODE sales dept.

"ODE" reserves the right to carry out technical and aesthetic modifications without prior notice.

R 2 1 F # N N N N N N N N N N N N N N N N

Model

Connections

S	0	G 1 1/2 - F
T	0	G 2 - F
J	0	G 1 1/4 - F
Z	0	1 1/2 NPT - F
G	0	2 NPT - F
0	4	SO ANSI 150 RF 1 1/2"
0	3	SO ANSI 150 RF 2"
1	2	SO ANSI 300 RF 2"
0	6	SO ANSI 600 RF 125-250A ARH 2"
1	0	EN1092-1/01B/DN32/PN40
0	9	EN1092-1/01B/DN40/PN40
0	8	EN1092-1/01B/DN50/PN40
1	1	EN1092-1/01B/DN65/PN40
1	E	EN1092-1/01B/DN80/PN40
0	7	EN1092-1/01B/DN50/PN63
0	5	EN1092-1/01B/DN80/PN63

Inlet pressure

E	0	50 bar
D	0	30 bar
N	0	60 bar
F	0	40 bar

Outlet pressure

A	0	0,2 ÷ 1,5 bar ⁽²⁾
B	0	0,3 ÷ 3 bar ⁽²⁾
D	0	0,8 ÷ 8 bar ⁽²⁾
E	0	1,5 ÷ 15 bar ⁽³⁾
F	0	3 ÷ 30 bar ⁽³⁾
G	0	5 ÷ 50 bar ⁽³⁾
G	G	1 ÷ 50 bar (with piloted version)

⁽²⁾ only with inlet P 30 bar
⁽³⁾ only with inlet P 50 bar

Pilot operated

N	Not piloted
P	Piloted

Seal

9	7	NBR CAT.I
A	A	FPM CAT.II for liquid hydrocarbons
0	1	NBR CAT.I with relieving
1	5	FPM use O ₂ CAT.II
1	7	NBR for liquids
1	8	EPDM for liquids
1	9	FPM for liquids
9	4	FPM CAT.II
9	5	NBR CAT.II
9	6	EPDM CAT.II
9	8	EPDM CAT.I
9	9	FPM CAT.I

Accessories

0	0	-
0	4	Fixed calibration
0	5	Precalibrated
0	6	Without pressure gauge
0	8	Degreased use O ₂
1	6	O-Ring FDA compliance

Certifications

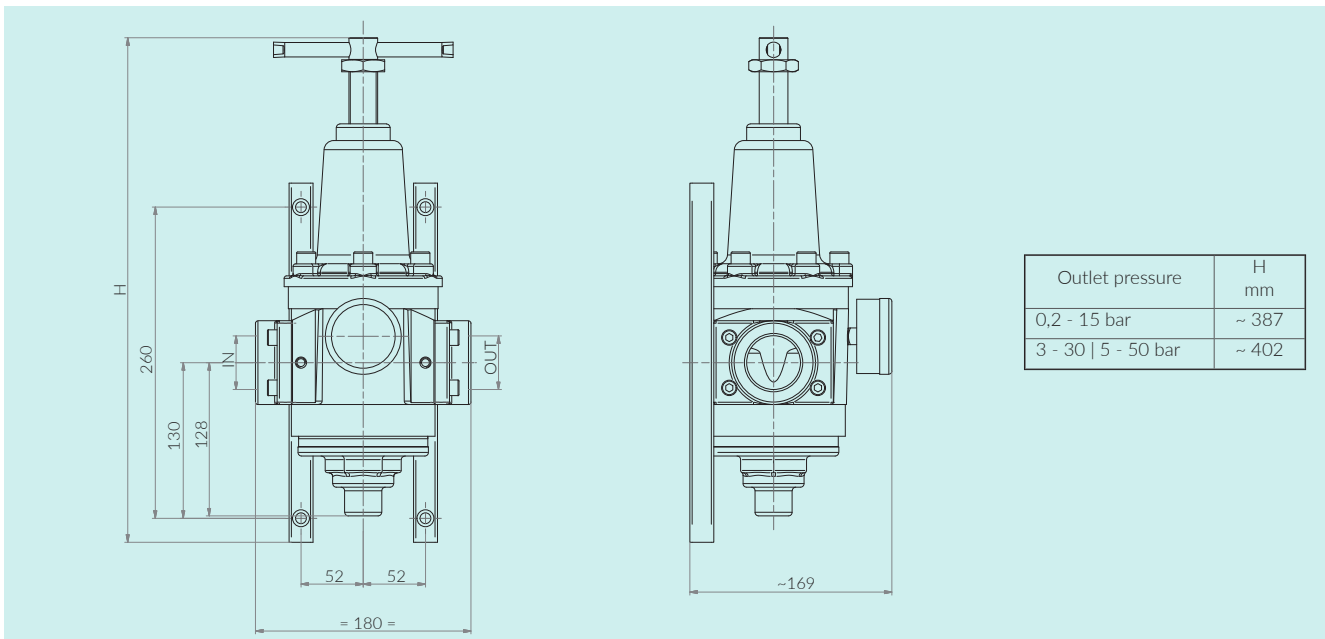
R	0	CE
U	0	CE+Atex 2014/34/UE
Y	0	CE+EAC TR CU 032/2013
V	0	CE+EAC TR CU 012/2011 (only for use with Gas)

standard versions

versions available on request

DIMENSIONS:

version with connections 1 1/2" ÷ 2"



For other versions, please contact ODE Sales Office