



## Pressure reducer II° stage

R21C

### PRESENTATION:

Brass pressure reducer suitable for the use with different types of fluids.

In the standard version the product is designed to operate with pressures up to 50 bar.

The control of the outlet pressure is realized by means of a:

- › diaphragm up to 15 bar;
- › piston for pressures above 15 bar.

USE: Compressed air, gas and liquids

CONNECTIONS: 1/2"  
(DIN and ANSI flanged connections available on request)

### PRESSURE REDUCER FEATURES:

|                       |                                      |
|-----------------------|--------------------------------------|
| Inlet pressure        | up to 50 bar                         |
| Outlet pressure       | 0,2 ÷ 50 bar                         |
| Kv nominal            | 2,99 m <sup>3</sup> /h (UNI 60534-2) |
| Operating temperature | - 20°C + 60°C                        |
| Shutter leakage class | class A (EN 12266-1)                 |
| Weight                | ~2,2 Kg (with piston)                |

The product is compliant with PED Directive 2014/68/UE

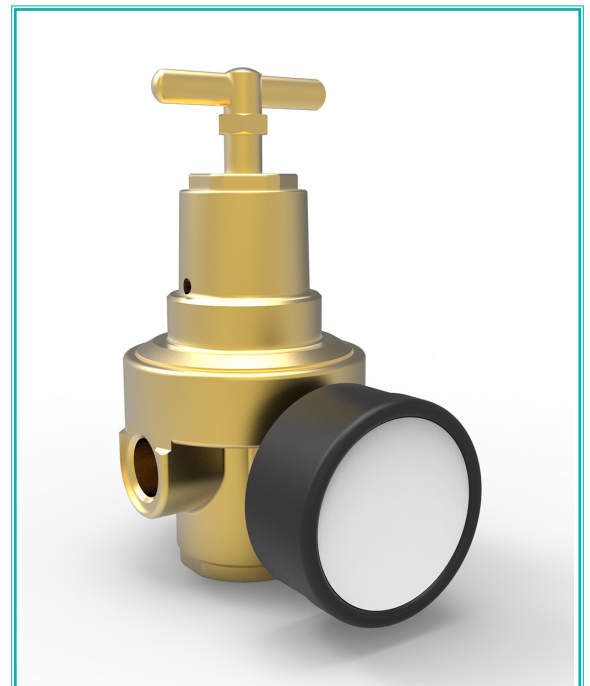
### MATERIALS:

|   |  |
|---|--|
| Body and bonnet   | Brass  |
| Internal parts  | Brass  |
| Shutter spring  | AISI 302                                       |
| Adjusting spring<br>(not in contact with the fluid)                     | C85  |
| O-Ring and shutter gasket<br>(different compounds available on request) | NBR<br>(for pressure above 30 bar, PUR gasket) |
| Piston  | Brass  |
| Diaphragm   | NBR+PTFE                                       |

### MAINTENANCE KIT:

KR21C repair kit available on request.

Kit contains: shutter assembly, O-ring and diaphragm assembly.



Note

Chemical compatibility fluids/materials, has to be verified at RFQ stage with ODE sales dept.

"ODE" reserves the right to carry out technical and aesthetic modifications without prior notice.

R 2 1 C # N N N N N N N N N N N N N N N

Model

**Connections**

|   |   |                                  |
|---|---|----------------------------------|
| P | 0 | G 1/2 - F                        |
| H | 0 | 1/2 NPT - F                      |
| 0 | 2 | SO ANSI 600 RF 125-250A ARH 1/2" |
| 0 | 3 | SO ANSI 150 RF 125-250A ARH 1/2" |
| 0 | 4 | EN1092-1/01B/DN15/PN100          |

**Inlet pressure**

|   |   |        |
|---|---|--------|
| E | 0 | 50 bar |
| D | 0 | 30 bar |
| N | 0 | 60 bar |

**Outlet pressure**

|   |   |                                      |
|---|---|--------------------------------------|
| A | 0 | 0,2 ÷ 1,5 bar <sup>(2)</sup>         |
| B | 0 | 0,3 ÷ 3 bar <sup>(2)</sup>           |
| D | 0 | 0,8 ÷ 8 bar <sup>(2)</sup>           |
| E | 0 | 1,5 ÷ 15 bar                         |
| F | 0 | 3 ÷ 30 bar <sup>(3)</sup>            |
| G | 0 | 5 ÷ 50 bar <sup>(3)</sup>            |
| G | G | 1 ÷ 50 bar<br>(with piloted version) |

<sup>(2)</sup> only with inlet P 30 bar  
<sup>(3)</sup> only with inlet P 50 bar

**Pilot operated**

|   |             |
|---|-------------|
| N | Not piloted |
| P | Piloted     |

**Seal**

|   |   |                             |
|---|---|-----------------------------|
| 9 | 7 | NBR                         |
| A | A | FPM for liquid hydrocarbons |
| 0 | 1 | NBR with Relieving          |
| 1 | 5 | FPM use O <sub>2</sub>      |
| 1 | 7 | NBR for liquids             |
| 1 | 8 | EPDM for liquids            |
| 1 | 9 | FPM for liquids             |
| 9 | 8 | EPDM                        |
| 9 | 9 | FPM                         |

**Accessories**

|   |   |                              |
|---|---|------------------------------|
| 0 | 0 | -                            |
| 0 | 4 | Fixed calibration            |
| 0 | 5 | Precalibrated                |
| 0 | 6 | Without pressure gauge       |
| 0 | 8 | Degreased use O <sub>2</sub> |
| 1 | 1 | Conveyed exhaust             |
| 1 | 6 | O-Ring FDA compliance        |

**Certifications**

|   |   |  |
|---|---|--|
| R | 0 | CE   |
| U | 0 | CE+Atex 2014/34/UE                               |
| Y | 0 | CE+EAC TR CU 032/2013 <sup>(1)</sup>             |
| V | 0 | CE+EAC TR CU 012/2011<br>(only for use with Gas) |

<sup>(1)</sup> version certifiable on request

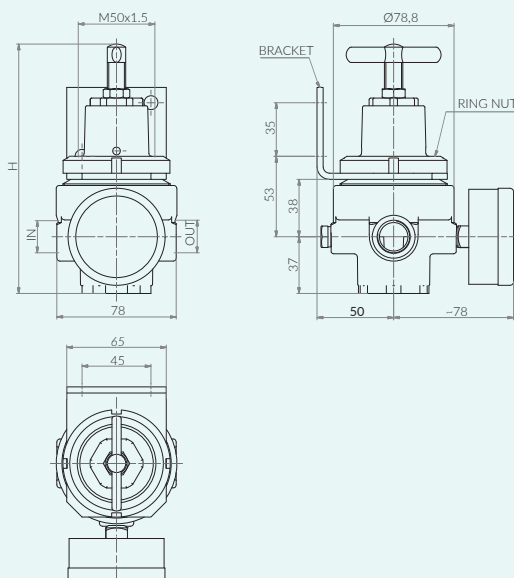
**standard versions**

versions available on request

**DIMENSIONS:**

version with connections 1/2"

BRACKET AND RING NUT TO BE ORDERED SEPARATELY



| Model     | H mm  |
|-----------|-------|
| Diaphragm | ~ 163 |
| Piston    | ~ 159 |

For other versions, please contact ODE Sales Office