



Pressure reducer 1° stage

R13C

PRESENTATION:

Stainless steel pressure reducer suitable for the use with different types of fluids.

In the standard version the product is designed to operate with pressures up to 220 bar.

The control of the outlet pressure is realized by means of a:

- › diaphragm up to 15 bar;
- › piston for pressure above 15 bar.

USE: Compressed air, gas and liquids

CONNECTIONS: According to standard UNI 11144 | BSP 3/8
(further types of connections, available on request.
See ordering code | section "Inlet connections")

PRESSURE REDUCER FEATURES:

Outlet connection	G 3/8 - F
Inlet pressure	up to 220 bar
Outlet pressure	0,8 ÷ 200 bar
Kv nominal	0,19 m ³ /h(UNI 60534-2)
Operating temperature	- 20°C + 60°C
Shutter leakage class	class A (EN 12266-1)
Weight	~4,7 Kg

The product is compliant with PED Directive 2014/68/UE

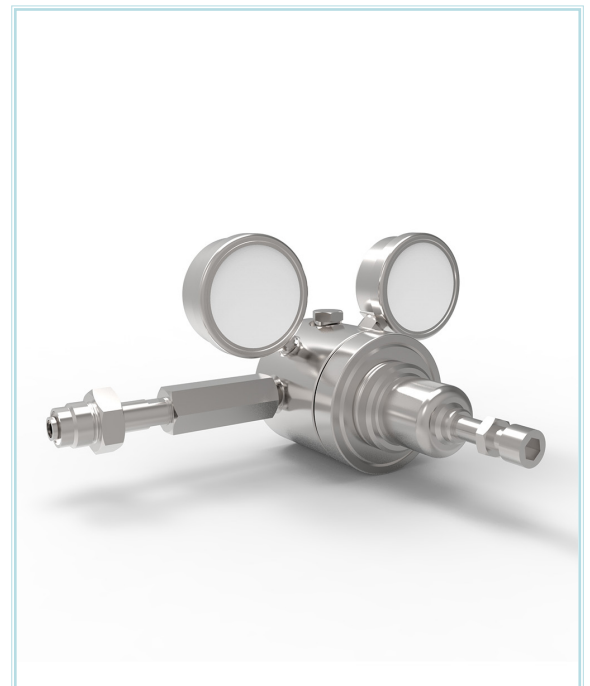
MATERIALS:

Body and bonnet	AISI 316L
Internal parts	AISI 316L
Shutter spring	AISI 302
Adjusting spring (not in contact with the fluid)	AISI 302
O-Ring (different compounds available on request)	FPM
Shutter gasket	Carbon filled PTFE
Piston	AISI 316L
Diaphragm	AISI 316L

MAINTENANCE KIT:

KR13C repair kit available on request..

Kit contains: shutter assembly, O-ring and diaphragm assembly.



Note

Chemical compatibility fluids/materials, has to be verified at RFQ stage with ODE sales dept.

"ODE" reserves the right to carry out technical and aesthetic modifications without prior notice.

R 1 3 C # N N N N N N N N N N N N N N

Model

Inlet connections

0	0	Cylinder connections (See section "*)")
L	0	G 3/8 - F
P	0	G 1/2 - F
W	0	3/8 NPT - F
H	0	1/2 NPT - F
0	5	1/2 NPT - M
5	V	SO ANSI 1500 RF 3/4"
0	2	SO ANSI 1500 LF 3/4"
0	4	SO ANSI 1500 RJ 1/2"
0	3	SO ANSI 2500 RF 1/2"

Outlet pressure

D	0	0.8 ÷ 8 bar
E	0	1.5 ÷ 15 bar
F	0	3 ÷ 30 bar
G	0	5 ÷ 50 bar
X	0	10 ÷ 100 bar
V	0	20 ÷ 200 bar
A	0	0.2 ÷ 1,5 bar
A	G	25 ÷ 250 bar
A	C	20 ÷ 350 bar

Inlet pressure

J	0	220 bar
T	0	350 bar
M	0	300 bar
L	0	80 bar
B	0	15 bar

Seal

9	9	FPM
1	8	EPDM for liquids
2	9	FPM for liquids
9	8	EPDM

*** Cylinder connections ⁽²⁾**

U	1	1H-UNI11144 CAT.III
U	2	2-UNI11144
U	3	3-UNI11144
U	5	5-UNI11144
U	6	6-UNI11144
U	8	8-UNI11144

Note: available on request cylinder connections according to standard DIN

Accessories

0	0	-
0	4	Fixed calibration
0	5	Precalibrated
0	6	Without pressure gauge
0	8	Degreased use O ₂
1	1	Conveyed exhaust
1	6	O-Ring FDA compliance

Certifications

R	0	CE
U	0	CE+Atex 2014/34/UE
Y	0	CE+EAC TR CU 032/2013 ⁽¹⁾
V	0	CE+EAC TR CU 012/2011 (only for use with Gas)

⁽¹⁾ version certifiable on request

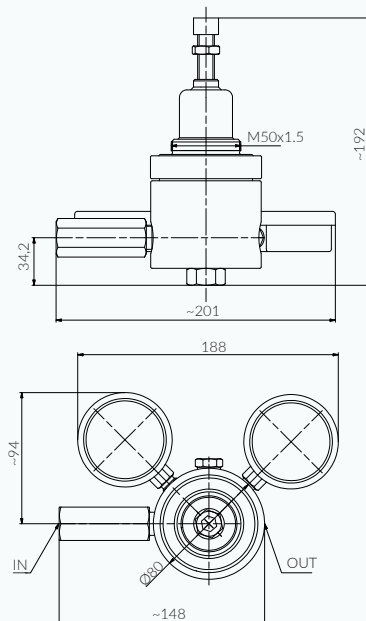
standard versions

versions available on request

⁽²⁾ The seal material has to be defined at RFQ stage according to the type of medium.

DIMENSIONS:

version with connections 3/8"



For other versions, please contact ODE Sales Office